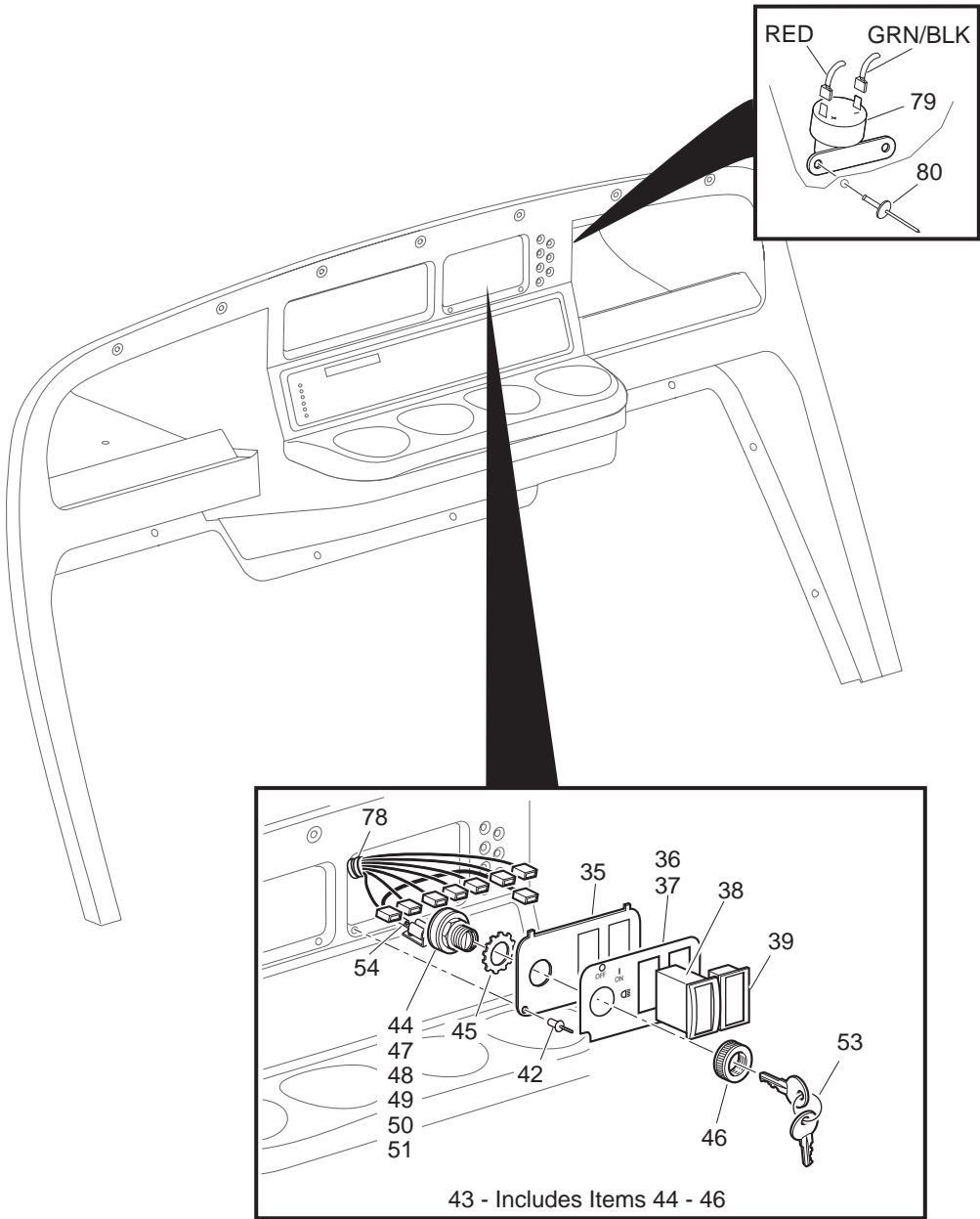


# ELECTRICAL SYSTEM



Ref Ele 7-2

# ELECTRICAL SYSTEM

THE USE OF NON U.L. PARTS WILL VOID ANY U.L. LISTING.

When ordering parts, please specify the model and serial number of the product.

\* Indicates a component that is not available as an individual part.

G\*\* Indicates consult Customer Service Department for additional information.

ITEM	PART NO.	1	2	3	4	5	DESCRIPTION	QTY.
31	25971-G13						4 GA WIRE (BLK 10 1/2") .....	2
32	25971-G16						4 GA WIRE (BLK 19") .....	1
33	00702-G2						NUT, 5/16 - 18 .....	16
34								
35	73030-G02						CONSOLE INSERT PLATE.....	1
36	74320-G01						LABEL, DIRECTION SELECTOR AND STATE OF CHARGE METER .....	1
37	74322-G01						LABEL, LIGHTS, DIRECTION SELECTOR & STATE OF CHARGE METER.....	1
38	74323-G01						DIRECTION SELECTOR SWITCH .....	1
39	33636-G05						STATE OF CHARGE METER (VERTICAL) .....	1
40								
41								
42	33623-G02						RIVET, 3/16" X 3/8" LG .....	2
43	17421-G1						IGNITION SWITCH KIT (INCLUDES ITEMS 44 - 46).....	1
44	18602-G1						IGNITION SWITCH (WITHOUT LIGHTS, STANDARD KEY).....	1
45	00568-G6						LOCK WASHER, 3/4" .....	1
46	17137-G1						FACE NUT .....	1
47	17955-G1						IGNITION SWITCH (WITHOUT LIGHTS, NON-STANDARD KEY).....	1
48	18027-G1						IGNITION SWITCH (WITHOUT LIGHTS, INDIVIDUALLY KEYED).....	1
49	33639-G01						IGNITION SWITCH (WITH LIGHTS, STANDARD KEY).....	1
50	33639-G02						IGNITION SWITCH (WITH LIGHTS, NON-STANDARD KEY).....	1
51	33639-G03						IGNITION SWITCH (WITH LIGHTS, INDIVIDUALLY KEYED).....	1
52								
53	17618-G1						WIRE TIE .....	1
54	25978-G18						18 GA WIRE (RED 6").....	1
55								
56								
57	75113-G06						HOUR METER KIT (INCLUDES ITEMS 58 - 62).....	1
58	21573-G1						HOUR METER ASSEMBLY.....	1
59	74019-G02						HOUR METER BRACKET.....	1
60	00379-G4						SCREW, #10 - 24 X 1/2" LG .....	2