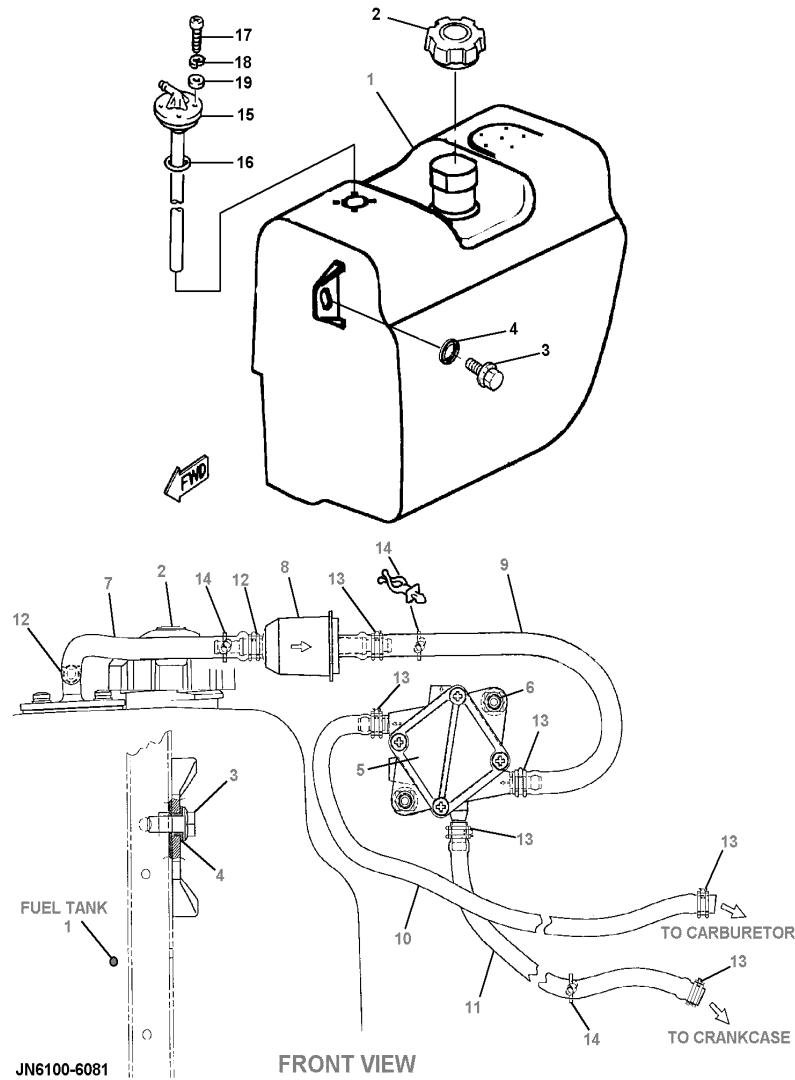


FIG. 15 FUEL TANK



REF NO.	PART NUMBER	DESCRIPTION	QTY	REMARKS
1	JN6-F4110-01-00	FUEL TANK COMP	1	
2	JN6-F4610-00-00	CAP ASSY.	1	
3	95817-08020-00	BOLT, FLANGE	2	
4	90560-08066-00	SPACER	2	
5	JN6-F4410-00-00	FUEL PUMP ASSY	1	
6	95817-06016-00	BOLT, FLANGE	2	
7	JN6-F4312-00-00	PIPE, 2	1	
8	JN6-F4560-00-00	FILTER ASSY.	1	
9	JN6-F4311-00-00	PIPE, FUEL	1	
10	JN6-F4313-00-00	PIPE, 3	1	
11	JN6-F4314-00-00	PIPE, 4	1	
12	90467-12845-00	CLIP	2	RED
13	90467-10846-00	CLIP	6	GREEN
14	90464-11816-00	CLAMP	3	
15	JN3-F4300-02-00	.FUEL PIPE JOINT	1	
16	93210-228C4-00	.O-RING	1	
17	98507-05014-00	.SCREW, PAN HEAD	4	
18	92907-05100-00	.WASHER, LOCK	4	
19	92907-05600-00	.WASHER, PLAIN	4	

