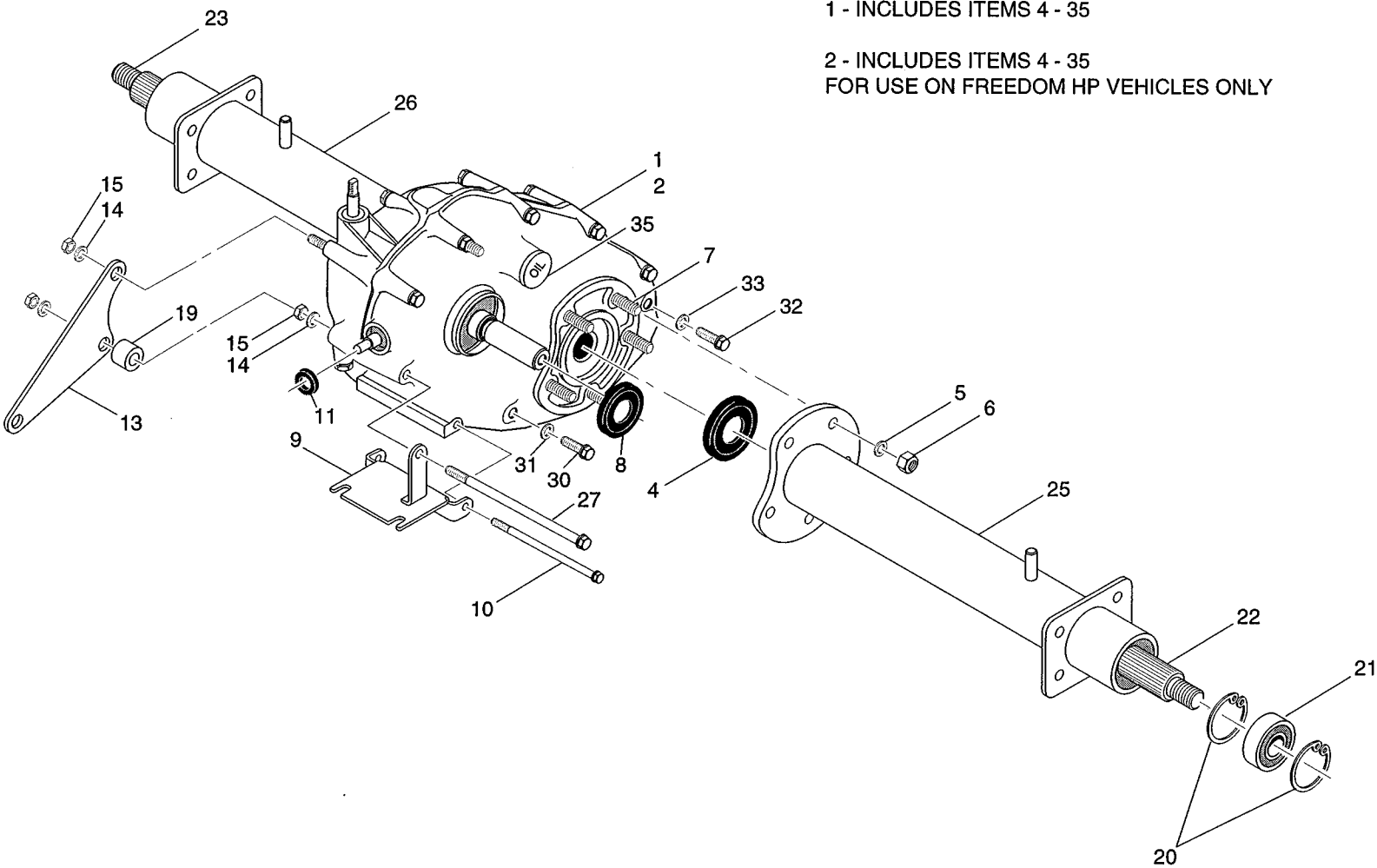


1 - INCLUDES ITEMS 4 - 35

2 - INCLUDES ITEMS 4 - 35
FOR USE ON FREEDOM HP VEHICLES ONLY



When ordering parts, please specify the model and serial number of the product.
 * Indicates a component that is not available as an individual part.
 G** Indicates consult Customer Service Department for additional information.

ITEM	PART NO.	1 2 3 4 5	DESCRIPTION	QTY.
1	72031-G01		REAR AXLE, (13.32:1), STANDARD (INCLUDES ITEMS 4 - 35)	1
2	72031-G02		REAR AXLE, HP (10.67:1) INCLUDES ITEMS 4 - 35 FOR USE ON FREEDOM HP VEHICLES ONLY.....	1
3				
4	26766-G01		SEAL, AXLE SHAFT.....	1
5	26828-G01		WASHER, 10 MM.....	10
6	26829-G01		NUT, 10 MM X 1.5 MM	10
7	26667-G01		STUD, M10 X 1.5 X 40 MM LG.	5
8	26761-G01		SEAL, INPUT SHAFT	1
9	26815-G01		BRACKET, SHIFTER CABLE.....	1
10	26823-G01		BOLT, FLANGE, M8 X 1.25 X 100 MM LG.....	8
11	26762-G01		SEAL, SHIFTER SHAFT	1
12				
13	72017-G01		BRACKET, TRANSAXLE.....	1
14	26826-G01		WASHER, LOCK, M8	4
15	26827-G01		NUT, M8 X 1.25 MM	4
16				
17				
18				
19	75048-G01		SPACER.....	1
20	26814-G01		RING, RETAINING	4
21	26811-G01		BALL BEARING.....	2
22	72056-G01		AXLE SHAFT, DRIVER SIDE	1
23	72057-G01		AXLE SHAFT, PASSENGER SIDE.....	1
24				
25	72115-G01		TUBE, AXLE, DRIVER'S SIDE.....	1
26	72116-G01		TUBE, AXLE, PASSENGER SIDE.....	1
27	26824-G01		BOLT, FLANGE, M8 X 1.25 X 110 MM LG.	1
28	72053-G01		BOLT, FLANGE, M8 X 1.25 X 120 MM LG.....	1
29				