

2 Piece Hood Rack - Installation Manual Polaris General

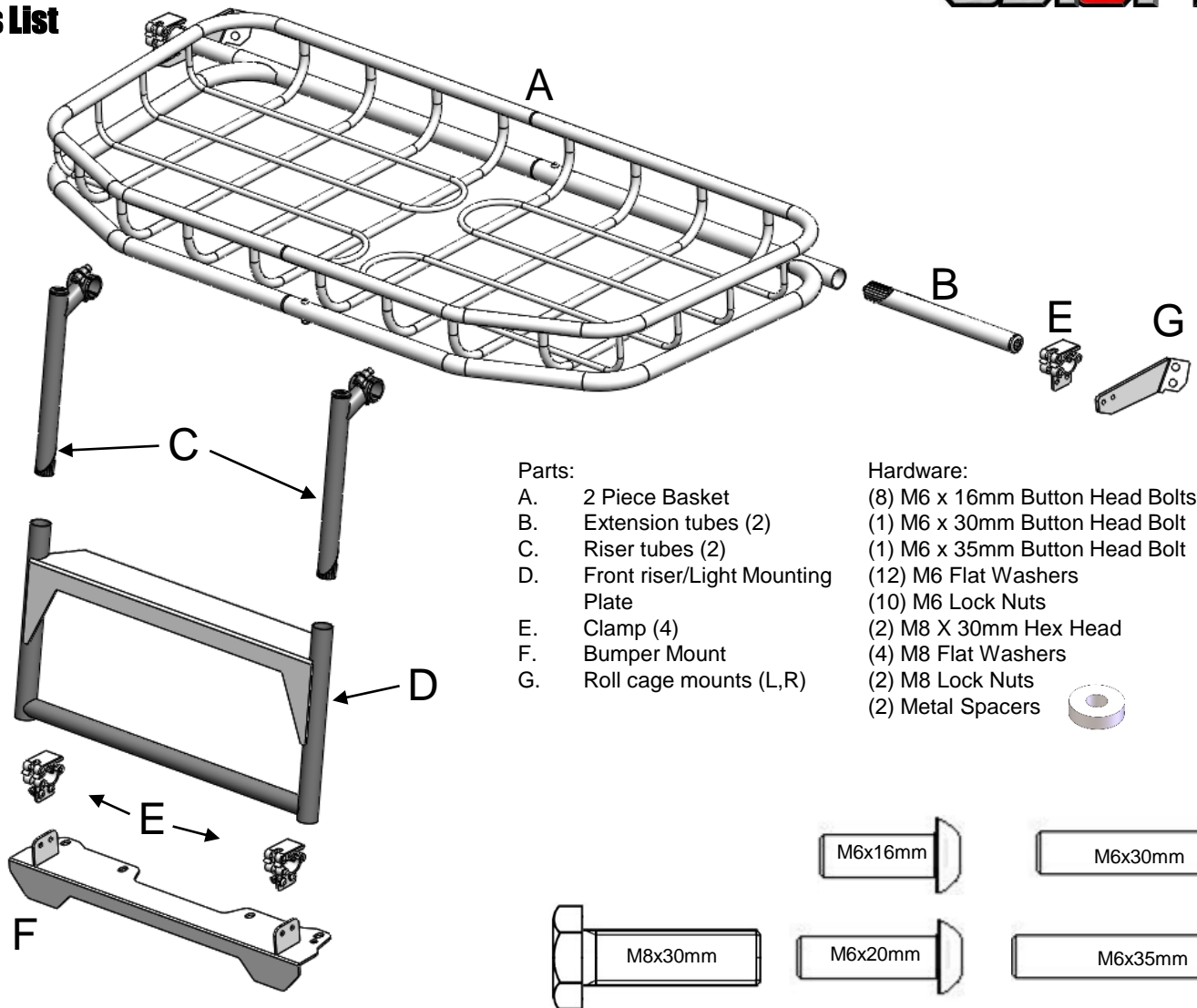


Seizmik makes Windshields, Doors, Tops, Hood Racks, Mirrors, and other great accessories for utility vehicles & side x sides. Our products are engineered tough for long life and tested under the harshest of conditions.

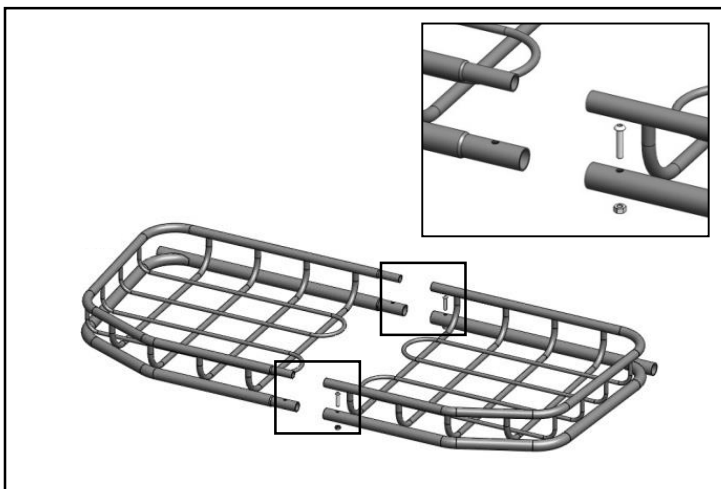
Always observe the warnings and precautions in this manual when using your Seizmik products. For best results, carefully follow the instructions in this manual and make no modifications.

Seizmik products are designed, developed and manufactured by Vialink Corp. If you have any questions, comments, need assistance, or are missing parts, please call 1-866-838-3366 between 9:00AM and 5:00PM EST. You can email us at service@seizmik.com

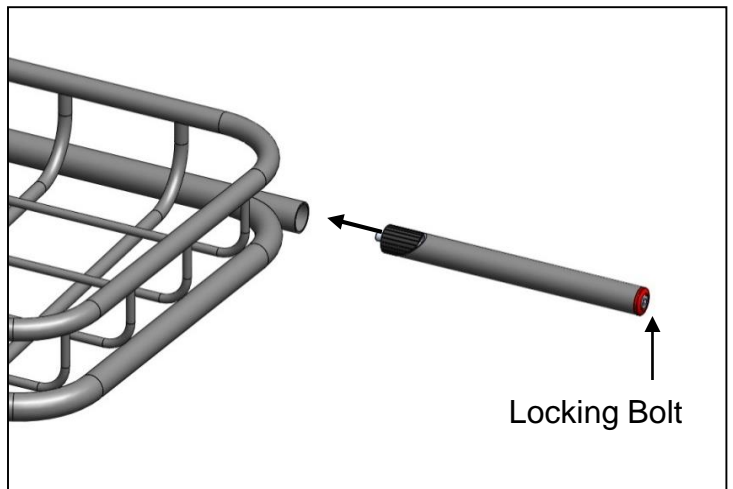
Parts List



Basket Assembly

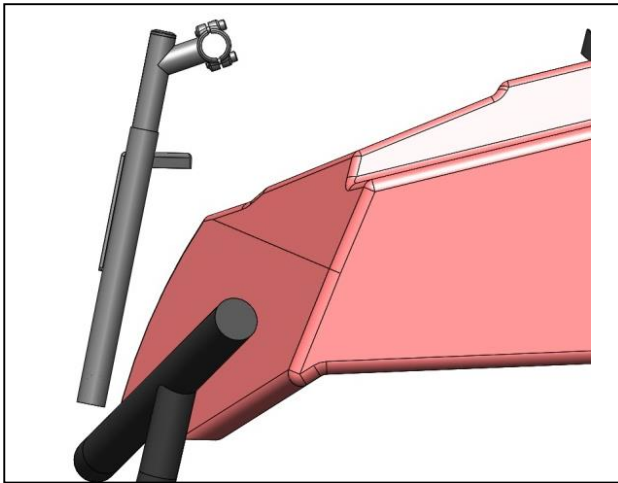


1. Assemble two sides of rack (A). Secure the larger rear tube with an M6 x 35mm Socket Head bolt and lock nut. Secure the front smaller tube with an M6 x 30mm Socket Head bolt and lock nut.

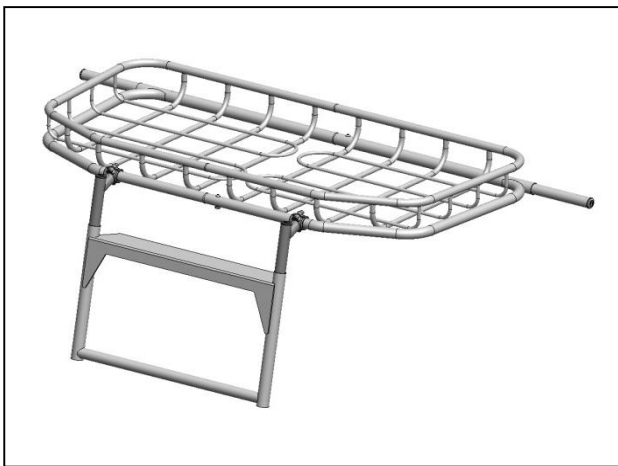
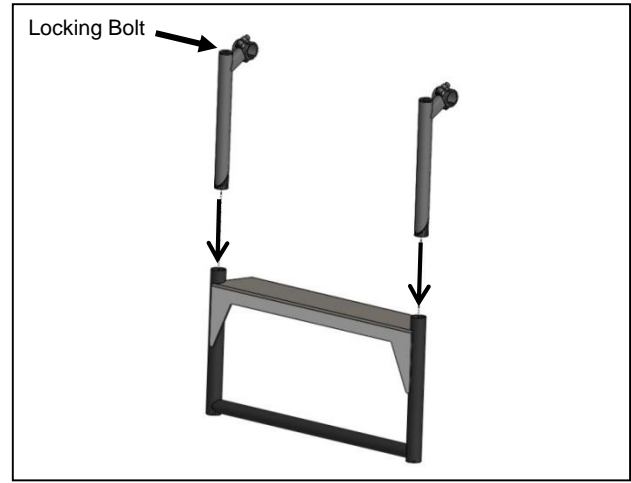


2. Insert an Extension Tube (B) in each end of the hood rack. Push in just a few inches and tighten the locking bolt in the end of the tube just enough to hold the extending tube in place. You will make a final adjustment and tighten later.

Hood Rack Pre-Assembly

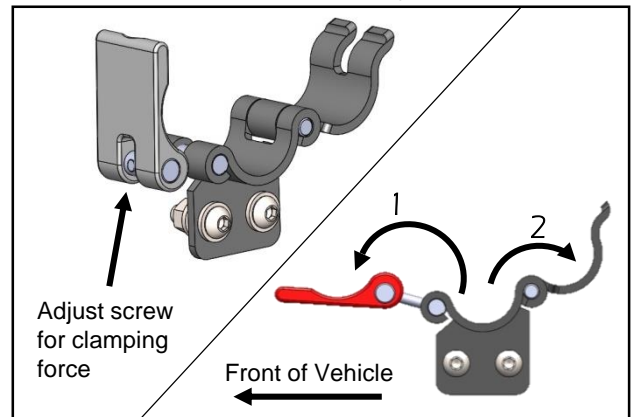


1. Note the riser orientation shown above. Insert the (2) Riser stems (C) into the front riser/light mounting Plate (D) a few inches in. Tighten the locking bolt at the top of the tube with allen wrench just enough to hold the riser stems in place. You will tighten after final assembly.

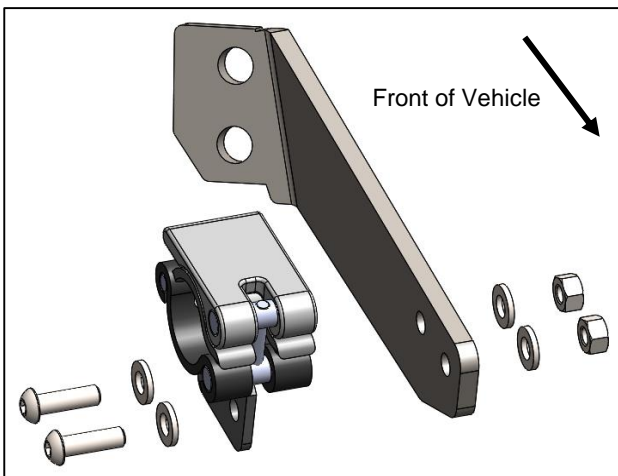


2. Attach the riser assembly to the front of the hood rack and bolt the (2) front riser caps in place. Snug the cap bolts, but keep them loose enough to allow rotation.

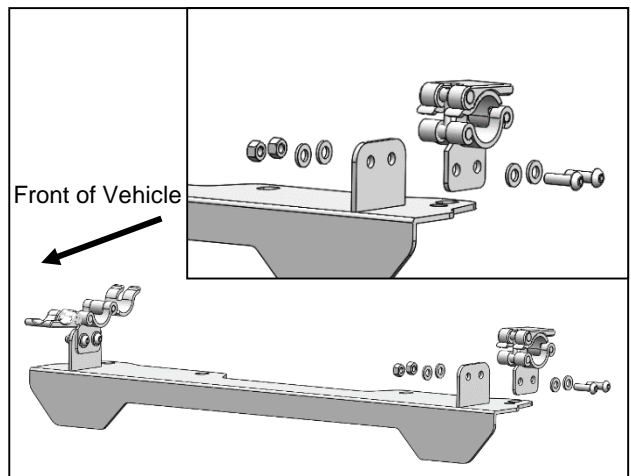
NOTE: Clamp Orientation and adjustment



To open a clamp, lift up on both levers in the order above. Orient all clamps so the first clamp lever opens towards the front of the vehicle. To increase clamping force, tighten screw; to decrease the clamping force, loosen screw before locking.



3. Attach the two clamps (E) to the roll cage clamps (G) with two M6 x 16mm socket head bolts, 4 washers and 2 nuts. The clamp lever should open towards the front of the vehicle.

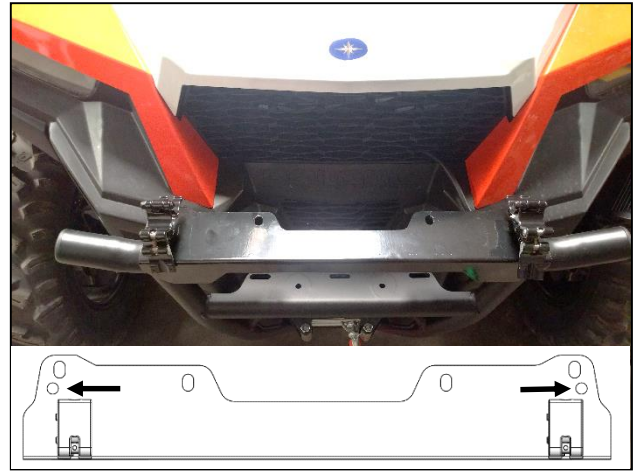


4. Attach the two clamps (E) to the bumper mount (F) using (4) M6 x 16mm bolts, (2) washers and (4) locknuts. Make sure all clamp levers open towards the front of the vehicle.

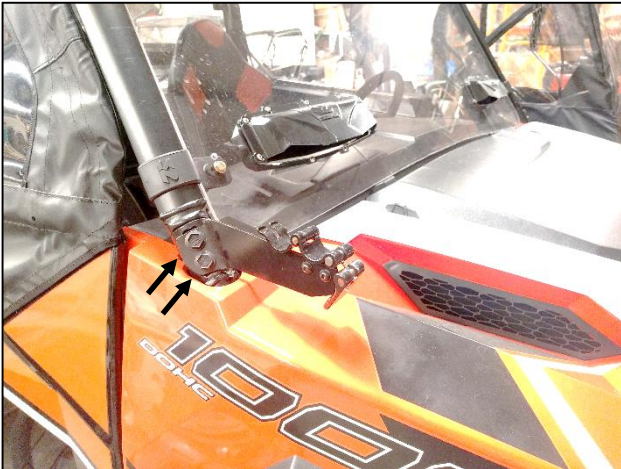
Bumper Mount and Vehicle Assembly



1. Place 2 metal spacers on the tabs on the bumper as shown above.



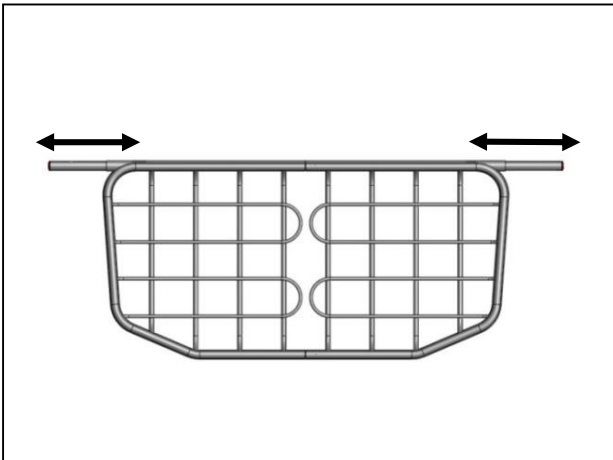
2. Line up the holes on the bumper mount and place on top of the bumper. Bolt together with M8x30mm hex head bolts, washers, and M8 locknuts. Make sure the spacers are between the bumper mount and bumper.



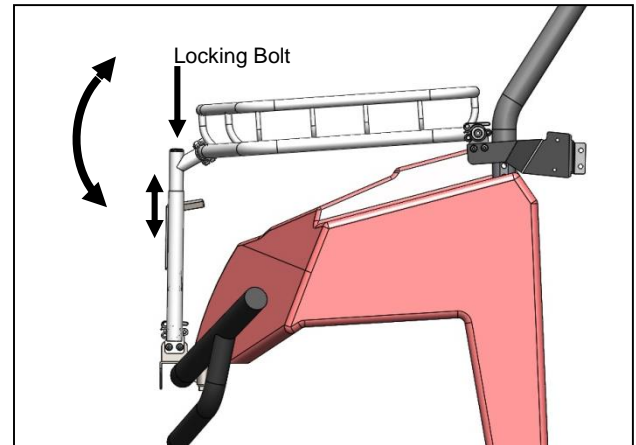
3. Undo the two roll cage bolts holding the A pillars of the vehicle together, and use these bolts to bolt the roll cage mounts to the vehicle. The clamps should open towards the cab of the vehicle.



4. Open all four clamps and place basket assembly on the on the clamps. Lock all four clamps.



5. Adjust the width of the extendable tubes (G) so they stick out just past the clamps. (If necessary)



6. Adjust the hood rack angle by loosening the bolt on the front riser stems and pushing up or down on the front of the rack. Adjust clamps and brackets as necessary, then tighten all bolts. We recommend no more than 5% of slope to the hood rack.