



A Textron Company

RXV ELECTRIC SERVICE PARTS MANUAL



611105

ISSUED FEBRUARY 2009

REVISED NOVEMBER 2015

SERVICE PARTS MANUAL

ELECTRIC POWERED FLEET & PERSONAL GOLF CARS

RXV GOLF CAR

RXV FREEDOM™

RXV SHUTTLE 2 + 2

STARTING MID-MODEL YEAR 2009

(MANUFACTURED BEGINNING FEBRUARY 23, 2009)

E-Z-GO Division of TEXTRON Inc. reserves the right to incorporate engineering and design changes to products in this Manual, without obligation to include these changes on units leased/sold previously.

The information contained in this Manual may be revised periodically by the E-Z-GO Division, and therefore is subject to change without notice.

The E-Z-GO Division **DISCLAIMS LIABILITY FOR ERRORS IN THIS MANUAL**, and the E-Z-GO Division **SPECIFICALLY DISCLAIMS LIABILITY FOR INCIDENTAL AND CONSEQUENTIAL DAMAGES** resulting from the use of the information and materials in this Manual.

TO CONTACT US

NORTH AMERICA:

TECHNICAL ASSISTANCE & WARRANTY PHONE: 1-800-774-3946, FAX: 1-800-448-8124

SERVICE PARTS PHONE: 1-888-GET-EZGO (1-888-438-3946), FAX: 1-800-752-6175

INTERNATIONAL:

SALES PHONE: 001-706-798-4311, FAX: 001-706-771-4609

E-Z-GO DIVISION OF TEXTRON INC., 1451 MARVIN GRIFFIN ROAD, AUGUSTA, GEORGIA USA 30906-3852

NOTES

To obtain a copy of the limited warranty applicable to the vehicle, call or write a local Distributor, authorized Branch or the Warranty Department with the vehicle serial number and the manufacturer code.

The use of non Original Equipment Manufacturer (OEM) approved parts may void the warranty.

Overfilling batteries may void the warranty.

BATTERY PROLONGED STORAGE

All batteries will self discharge over time. The rate of self discharge varies depending on the ambient temperature and the age and condition of the batteries.

A fully charged battery will not freeze in winter temperatures unless the temperature falls below -75° F (-60° C).

As with all electric vehicles, the batteries must be checked and recharged as required or at a minimum of 30 day intervals.

TABLE OF CONTENTS

SECTION	Page No.
HOW TO USE THE SERVICE PARTS MANUAL	Vii
ACCELERATOR PEDAL ASSEMBLY	A-1
• Accelerator Pedal Pad	
• Accelerator Pedal Assembly	
• Switches	
BATTERY CHARGER	B-1
• Charger	
• Charger Cords	
• Cover	
• Handle	
BODY - FRONT	C-1
• Front Bumper	
• Front Splash Shield	
• Cowl	
• Nameplate	
• Instrument Panel	
• Instrument Panel Trim	
• Cup Holder	
BODY - MID SECTION	C-5
• Pedal Cover	
• Floorboard	
• Floormat	
• Rocker Panels	
BODY - REAR	C-7
• Rear Body	
• Rear Splash Shields	
• Seat Support	
• Bagwell Liner	
• Access Panel	
• Scuff Guards	
• Rear Bumper	
BODY - ACCESSORIES	C-11
• Side Baskets	
• Sand Bottle	
• Cooler	
• Soft Swipe	
• Divot Repair	
• Club & Ball Washer	
• Four Bag Attachment	
BRAKES - PEDAL	D-1
• Brake Pedal Pad	
• Brake Pedal Assembly	
• Brake Pedal Return Spring	
• Switches	
BRAKES - MOTOR BRAKE	D - 3
• Motor Brake Assembly	
• Brake Handle	
• Handle Return Spring	

TABLE OF CONTENTS

SECTION	Page No.
ELECTRICAL SYSTEM - MAIN COMPONENTS	E-1
• Main Harness	
• Solenoid	
• Reverse Warning Indicator	
• Run / Tow Switch	
• Run Plug	
• Controller Splash Shield	
• Key Switch	
• Charger Receptacle	
• Solenoid Wires	
ELECTRICAL SYSTEM - BATTERIES	E - 5
• Batteries	
• Battery Tray	
• Battery Hold Down	
• Battery Strap	
• Wires	
ELECTRICAL ACCESSORIES	E-7
• Horn Assembly	
• Horn Button	
• State of Charge Meter	
• Headlights	
• Tail Lights	
• Turn Signal Switch	
• Headlight Switch	
ELECTRONIC SPEED CONTROL	F - 1
• Controller Assembly	
• Resistor Assembly	
• Resistor Mounting Bracket	
• Sensor	
FRONT SUSPENSION - STRUTS	G-1
• Strut Assemblies	
• Spindles	
• A-Arm	
• Front Hub	
• Wheel Bolt	
FRONT SUSPENSION - STEERING	G - 5
• Steering Rack Assembly	
• Steering Column	
• Steering Wheel	
• Score Card Holder	
MOTOR	H-1
• AC Motor	
• Flexloom Sleeve	
REAR AXLE	J - 1
• Axle Assembly	
• Rear Hub	
• Wheel Bolt	
• Axle Shaft	

TABLE OF CONTENTS

SECTION	Page No.
REAR SUSPENSION	K - 1
• Shocks	
• Leaf Spring	
• Shackles	
• Bushings	
SEATING & BASKET- FRONT SEAT	L - 1
• Front Seat Bottom	
• Front Seat Back	
• Hip Restraints	
• Seat Back Support	
• Sweater Basket	
• Bag Strap	
• Bag Strap Clamp	
SEATING - REAR SEAT 2 + 2	L - 4
• Rear Seat Bottom	
• Rear Seat Back	
• Seat Back Support	
• Seat Hinge	
• Arm Rest	
• Rear Seat Floor Board Assembly	
• Seat Belt	
REAR FACING SEAT - EXCEED MODEL	L - 9
• Rear Facing Floor Board Assembly	
• Rear Facing Seat Bottom Assembly	
• Seat Back Assembly	
TOW BAR - PERMANENT TOWING VEHICLE	M - 1
• Tow Bar	
• Latch	
• Retainer	
TOW BAR - PERMANENT TOWED VEHICLE	M - 3
• Steering Link	
• Front Casting	
• Spacer	
• Rod Ends	
WEATHER PROTECTION - GOLF CAR SUN TOP	N - 1
• Sun Top	
• Top Struts	
WEATHER PROTECTION - SHUTTLE 2+2	N - 3
• Sun Top	
• Top Struts	
WEATHER PROTECTION - WINDSHIELD	N - 5
• Windshield	
WHEELS AND TIRES	P - 1
• Tires	
• Wheels	
• Lug Nuts	
• Dust Cap	
• Wheel Cover	

TABLE OF CONTENTS

SECTION	Page No.
FRAME	R - 1
• Frames	
• Seat Frames	

HOW TO USE THE SERVICE PARTS MANUAL

This manual is divided into several sections:

GENERAL INFORMATION

- TABLE OF CONTENTS
- HOW TO USE THE SERVICE PARTS MANUAL

ILLUSTRATED PARTS BREAKDOWN

- Contains illustrations and parts lists for all systems of the vehicle.

USE OF THE MANUAL

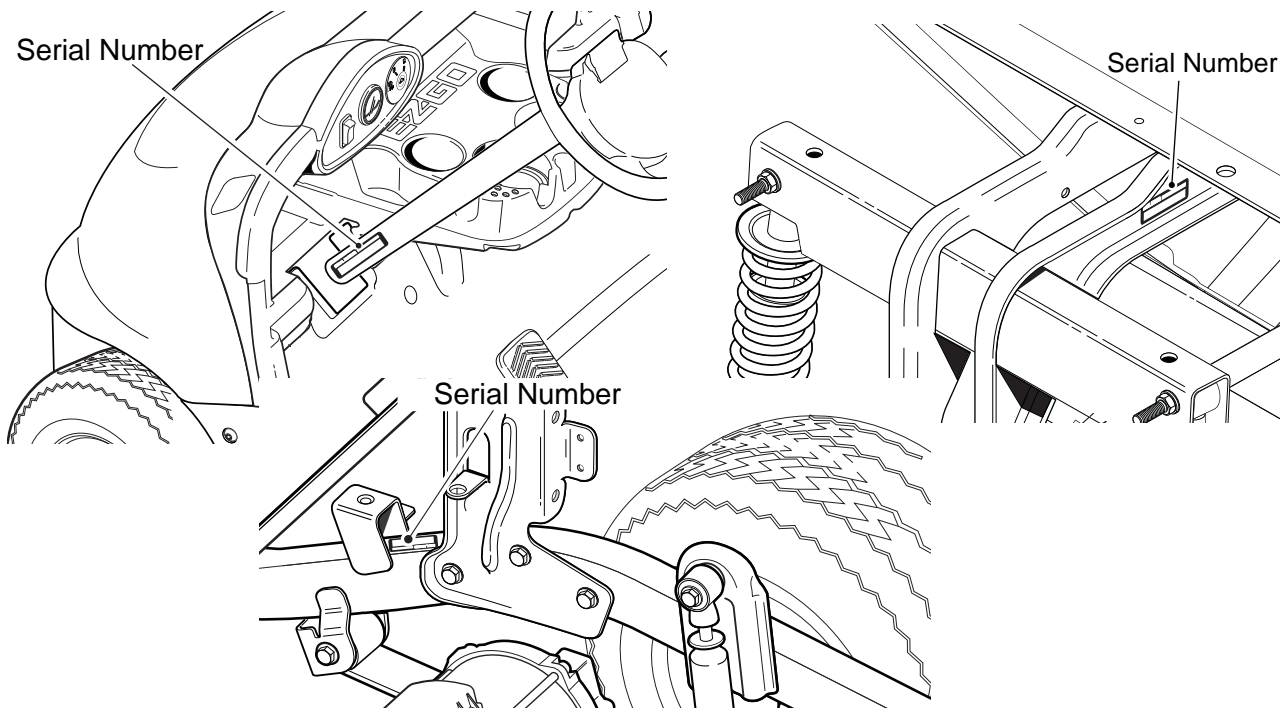
To use this manual, consult the TABLE OF CONTENTS (page iii) to locate the information or illustration required.

Introduction of some revisions varies due to supply of components; therefore, it is possible that various combinations of components may be found that are not directly reflected by each illustration. Consult the illustration that best suits your situation. Locate the serial number. It is important that the serial number of your vehicle and its model number be supplied to Service Parts when ordering any replacement components.

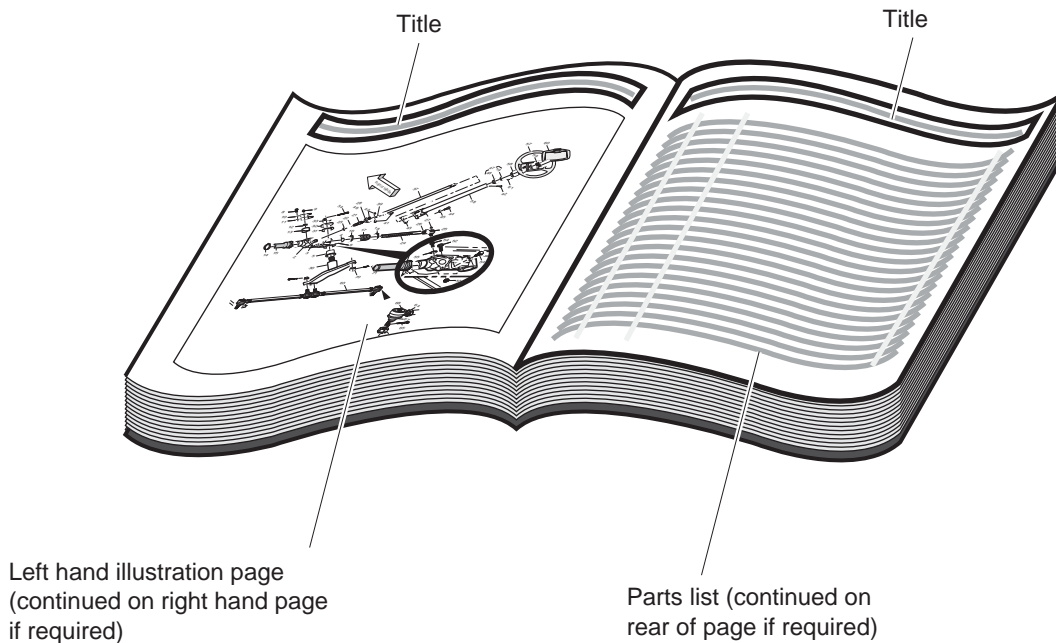
SERIAL NUMBER LOCATION

Three serial number and manufacture date code labels are on the vehicle. One is placed on the steering column, the second is located on the frame member under the front splash shield on the driver side and the third is located on the passenger side frame rail at the rear of the vehicle.

In order to obtain correct components for the vehicle, the manufacture date code, serial number and vehicle model must be provided when ordering service parts.



HOW TO USE THE SERVICE PARTS MANUAL



1. WHEN THE PART NUMBER IS NOT KNOWN

- Determine the function and application of the part required. Turn to the TABLE OF CONTENTS and select the most appropriate component description.
- Turn to the page number indicated and locate the part description in the parts list. Read the full accompanying description for specific information regarding the part that was not shown in the index.
- From the parts list, obtain the item number assigned to it and confirm that the part selected is correct by verifying it with the pictorial representation on the illustrated page.

Should an asterisk (*) appear in the part number column on the parts list page, read upwards until a part number is found. The part number is the lowest assembly sold by Service Parts. The asterisk (*) indicates that the part depicted is not available for purchase.

NOTE: Descriptions are indented under the assembly that they are used on. That assembly is, in turn listed under the assembly that it is used on. This process is repeated until the highest final assembly is reached.

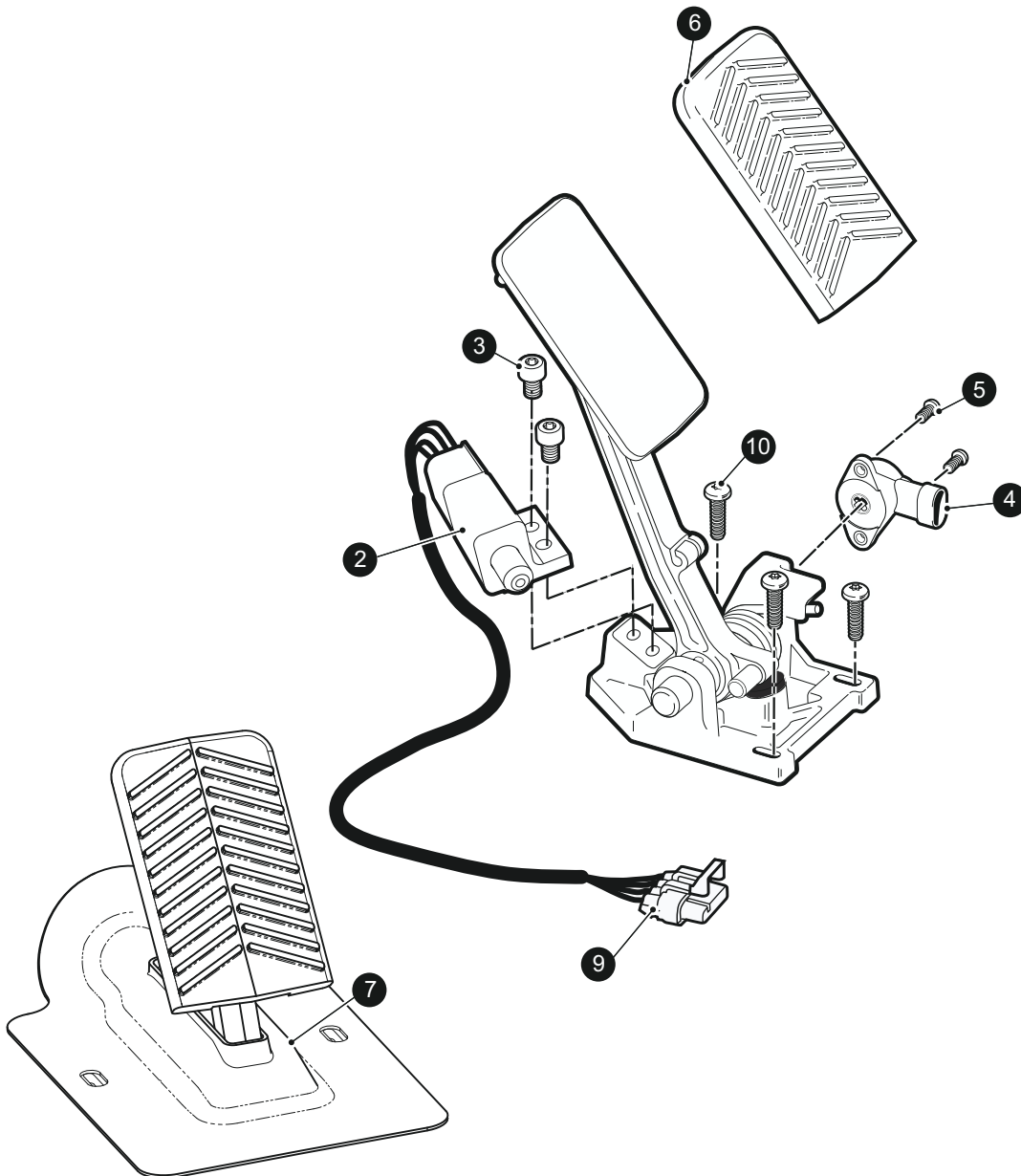
To facilitate the maintenance and repair of the vehicle, a Technician's Repair and Service Manual is available from the Service Parts Department.

ILLUSTRATED PARTS BREAKDOWN

ILLUSTRATED PARTS BREAKDOWN

ACCELERATOR

1 Accelerator Pedal Assembly includes items 2 - 6



ACCELERATOR

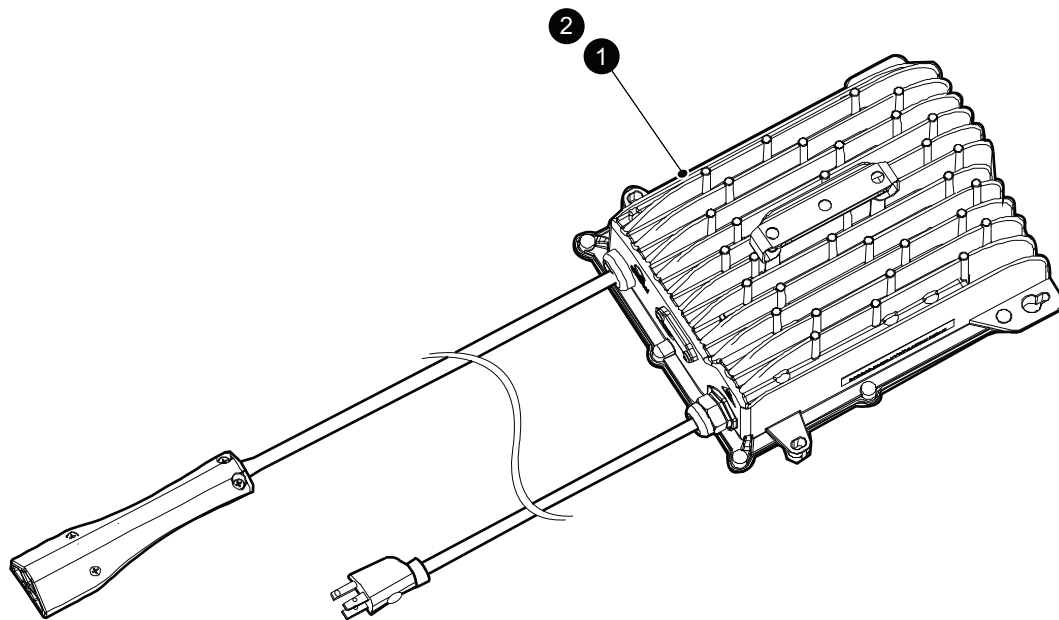
When ordering parts, please specify the model and serial number of the product.

* Indicates a component that is not available as an individual part.

*** Indicates consult Customer Service Department for additional information.

ITEM	PART NO.	1 2 3 4 5	DESCRIPTION	QTY.
1	626138		ACCELERATOR PEDAL ASSEMBLY, BLACK (INCLUDES ITEMS 2 - 6)	1
2	612889		ACCELERATOR PEDAL MOLEX SWITCH	1
3	620030		SOCKET HEAD CAP SCREW, M5 - 0.8 X 10.....	2
4	600019		ROTARY POSITION SENSOR.....	1
5	600543		BUTTON HEAD TORX BOLT, M4 - 0.75 X 12	2
6	610529		ACCELERATOR PEDAL PAD	1
7	614393		ACCELERATOR PEDAL BOOT	1
8				
9	615747		JUMPER HARNESS, ACCELERATOR PEDAL SWITCH	1
10	606277		BOSS SCREW, M6 - 1.0 X 25	3

BATTERY CHARGER



BATTERY CHARGER

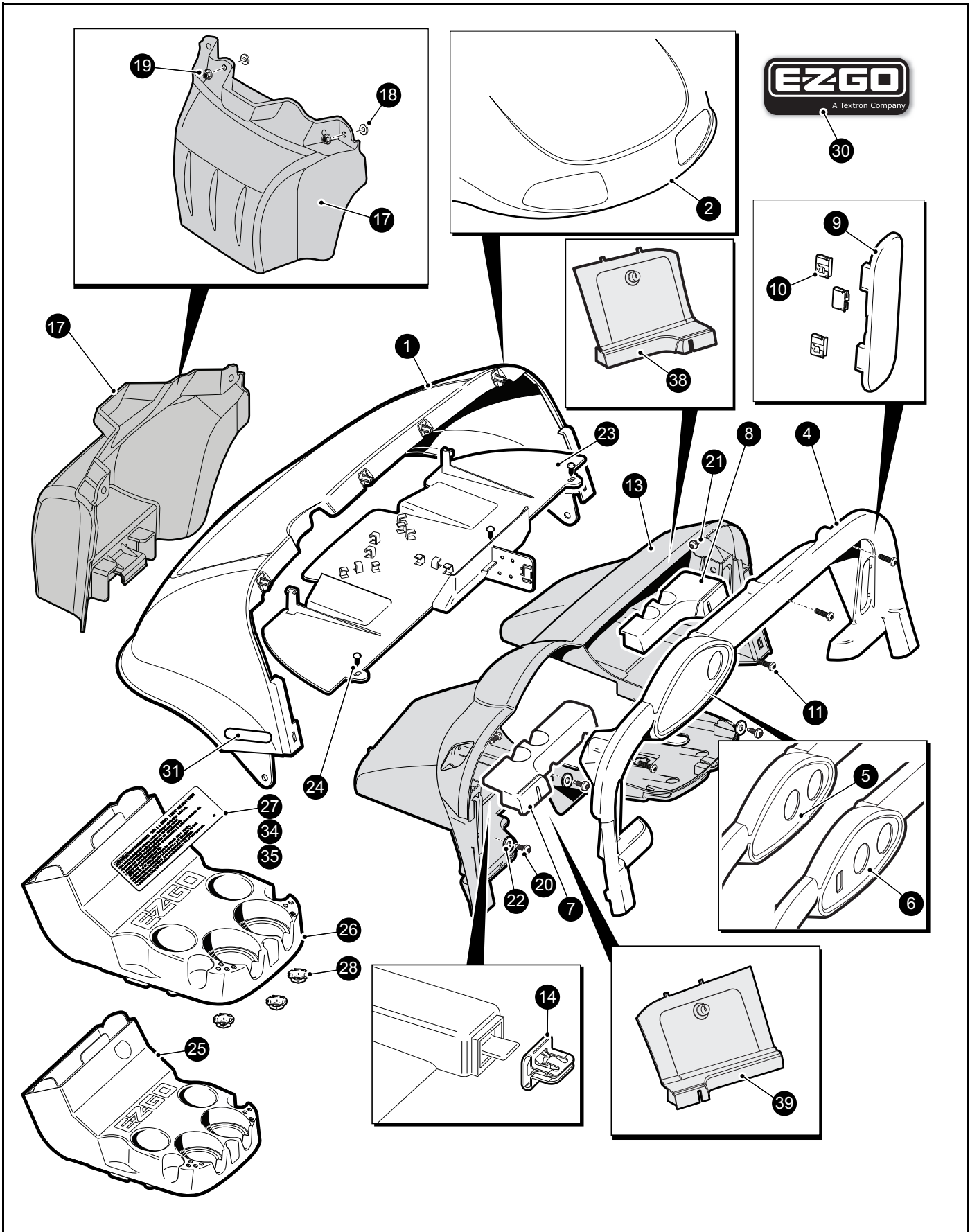
When ordering parts, please specify the model and serial number of the product.

* Indicates a component that is not available as an individual part.

*** Indicates consult Customer Service Department for additional information.

ITEM	PART NO.	1 2 3 4 5	DESCRIPTION	QTY.
1	635671		CHARGER, 3 METER CORD.....	1
2	635672		CHARGER, 5.5 METER CORD.....	1
3	611781		5M GFI CHARGER CORD KIT (NOT ILLUSTRATED).....	1

BODY



When ordering parts, please specify the model and serial number of the product.

* Indicates a component that is not available as an individual part.

*** Indicates consult Customer Service Department for additional information.

ITEM	PART NO.	1 2 3 4 5	DESCRIPTION	QTY.
1	6XXXXX***		FRONT COWL, WITHOUT HEADLIGHT OPENING (see colors below)..... 606953 IVORY 606954 FOREST GREEN 606955 PATRIOT BLUE 606956 BLACK 606957 BURGANDY 606958 BRIGHT WHITE 606959 FLAME RED 606960 STEEL BLUE 608476 PLATINUM 608477 ALMOND 608493 ELECTRIC BLUE 608494 INFERNO RED 617580 SUN BURST ORNAGE 617578 BRITISH RACING GREEN 630161 BARLEY GOLD 630163 OASIS GREEN 630165 JAVA BROWN 630167 METALLIC CHARCOAL	1
2	6XXXXX***		FRONT COWL, WITH HEADLIGHT OPENING (see colors below) 620227 IVORY 620228 FOREST GREEN 620229 PATRIOT BLUE 620230 BLACK 620231 BURGANDY 620232 BRIGHT WHITE 620233 FLAME RED 620234 STEEL BLUE 608478 PLATINUM 608479 ALMOND 608516 ELECTRIC BLUE 608517 INFERNO RED 617581 SUN BURST ORNAGE 617579 BRITISH RACING GREEN 630169 BARLEY GOLD 630171 OASIS GREEN 630173 JAVA BROWN 630175 METALLIC CHARCOAL	1

BODY

When ordering parts, please specify the model and serial number of the product.

* Indicates a component that is not available as an individual part.

*** Indicates consult Customer Service Department for additional information.

ITEM	PART NO.	1 2 3 4 5	DESCRIPTION	QTY.
3				
4	600242		INSTRUMENT PANEL TRIM, OPENING FOR KEY SWITCH ONLY.....	1
5	608808		INSTRUMENT PANEL TRIM, OPENING FOR KEY SWITCH & SOC.....	1
6	608864		INSTRUMENT PANEL TRIM, OPENING FOR KEY SW, SOC & LIGHT SW .	1
7	600243		BALL HOLDER INSERT, DRIVER SIDE	1
8	600241		BALL HOLDER INSERT, PASSENGER SIDE.....	1
9	602388		ACCESS COVER ASSEMBLY (includes item 10)	1
10	602100		U - CLIP	3
11	606277		BOSS SCREW, M6	4
12				
13	602387		INSTRUMENT PANEL (includes item 14)	1
14	602184		SPRING CLIP	4
15				
16				
17	605935		FRONT BUMPER.....	1
18	604066		FLAT WASHER, M10 (O.D. 30, I.D. 10.5, THK. 1.75).....	2
19	600525		FLANGED HEX NUT WITH PLASTIC INSERT, M10 - 1.5.....	2
20	602572		PAN HEAD TORX BOLT, M10 - 15 X 25mm	4
21	70200G01		TRUSS HEAD TORX 3 BOLT, 3/8" - 16 X 3/4" LG	2
22	604066		FLAT WASHER, M10, 10.5 X 30mm	4
23	601634		FRONT SPLASH GUARD	1
24	16816G2		CHRISTMAS TREE RIVET (.25" x .88")	3
25	635612		CUPHOLDER ASSEMBLY WITH USB CUTOUT (includes item 27)	1
26	602101		CUPHOLDER ASSEMBLY (includes item 27)	1
27	608522		WARNING AND INSTRUCTION DECAL.....	1
28	71597G01		SELF THREADING NUT	3
29				
30	606405		E - Z - GO NAMEPLATE	1
31	608991		YELLOW REFLECTOR, FRONT	2
32				
33				

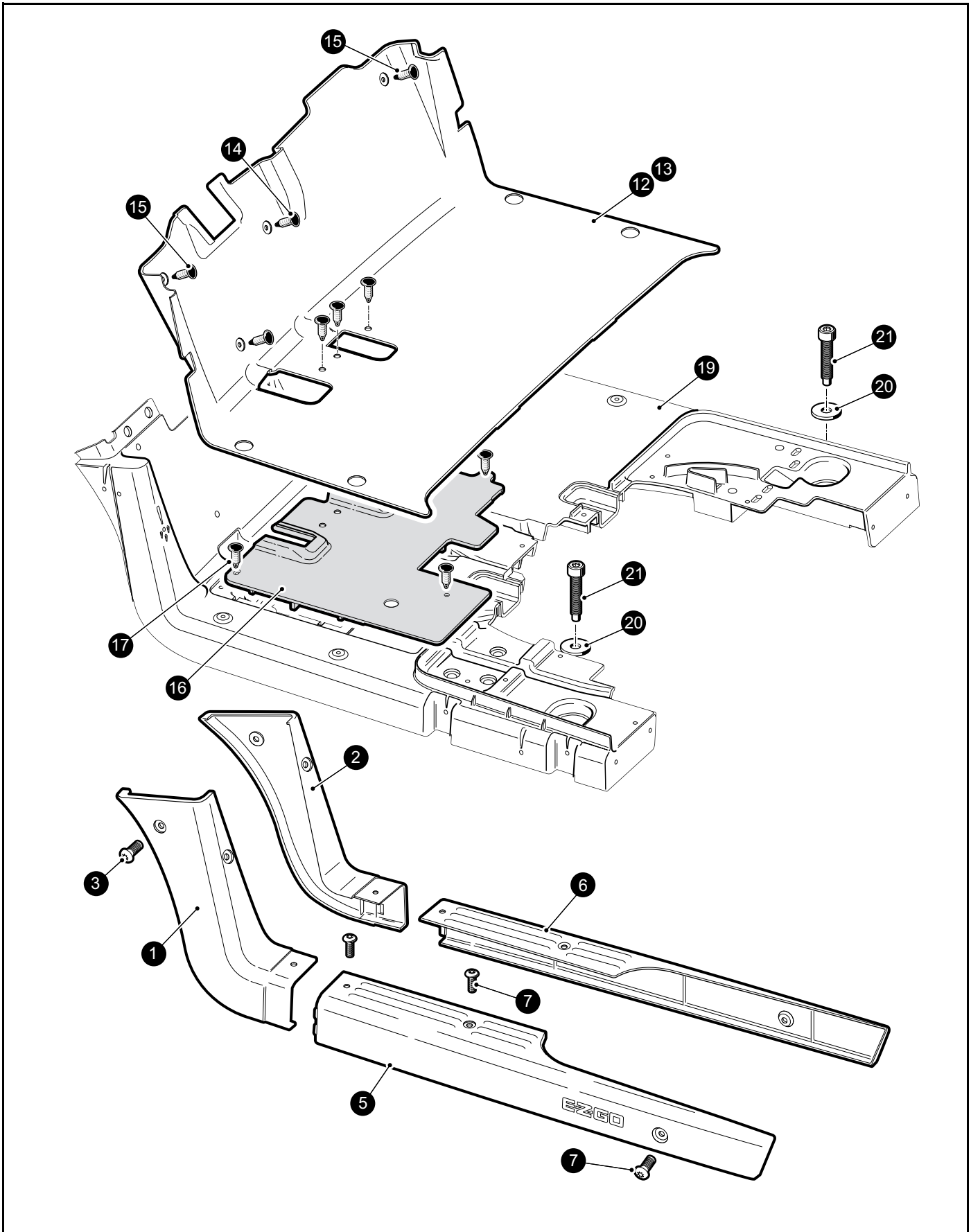
When ordering parts, please specify the model and serial number of the product.

* Indicates a component that is not available as an individual part.

*** Indicates consult Customer Service Department for additional information.

ITEM	PART NO.	1 2 3 4 5 DESCRIPTION	QTY.
34	608528	WARNING AND INSTRUCTION DECAL (Freedom vehicles)	1
35	608701	WARNING AND INSTRUCTION DECAL, PICTOGRAMS (CE vehicles)	1
36			
37			
38	607131	GLOVE BOX, PASSENGER SIDE.....	1
39	607533	GLOVE BOX, DRIVER SIDE	1

BODY



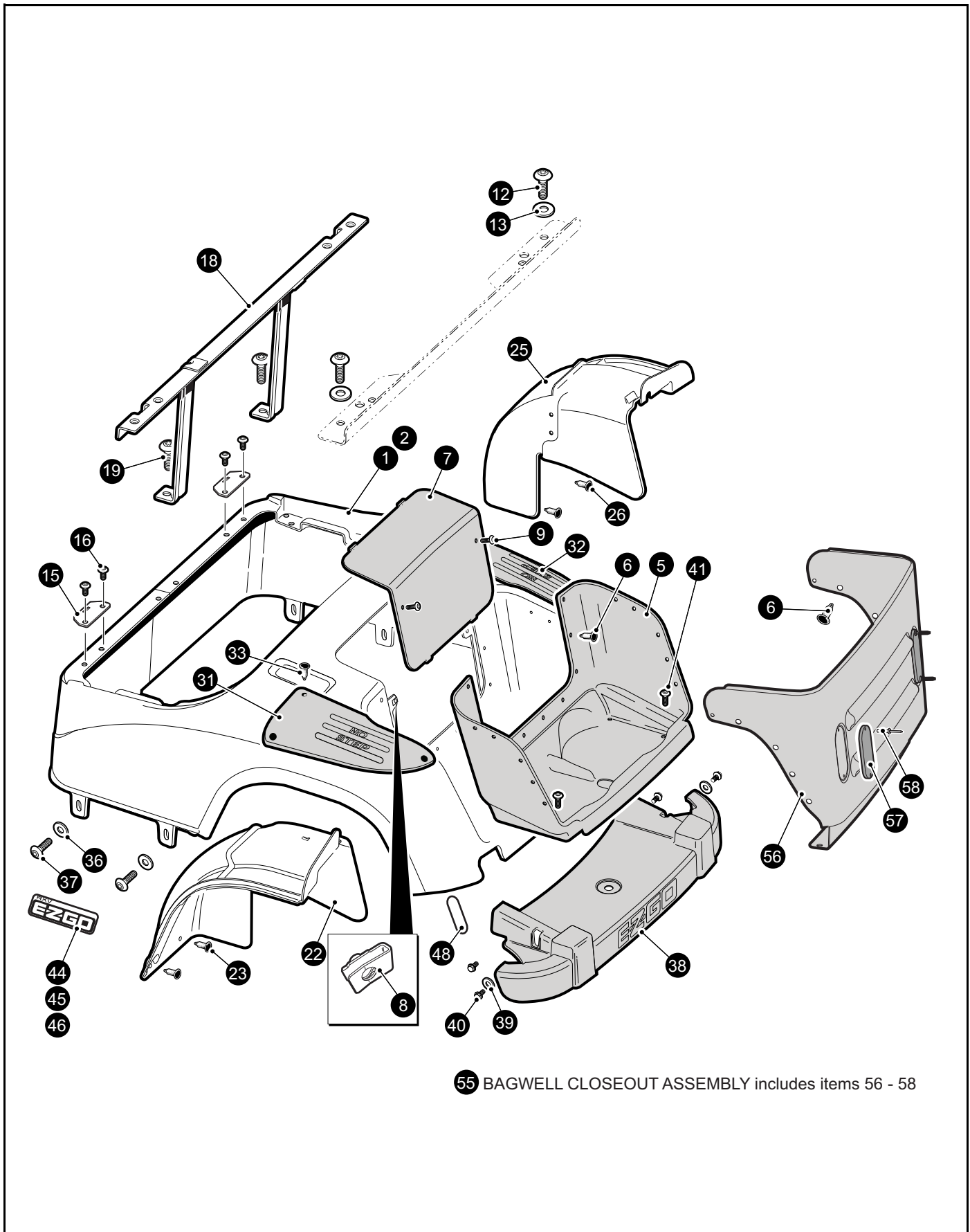
When ordering parts, please specify the model and serial number of the product.

* Indicates a component that is not available as an individual part.

*** Indicates consult Customer Service Department for additional information.

ITEM	PART NO.	1 2 3 4 5	DESCRIPTION	QTY.
1	601257		UPPER ROCKER PANEL, DRIVER SIDE	1
2	601258		UPPER ROCKER PANEL, PASSENGER SIDE	1
3	605957		BUTTON HEAD TORX SCREW, THREAD FORMING, M8.....	4
4				
5	600253		LOWER ROCKER PANEL, DRIVER SIDE	1
6	600257		LOWER ROCKER PANEL, PASSENGER SIDE	1
7	605957		BUTTON HEAD TORX SCREW, THREAD FORMING, M8.....	6
8				
9				
10				
11				
12	601118		FLOORMAT WITHOUT HOLE FOR HORN.....	1
13	603707		FLOORMAT WITH HOLE FOR HORN	1
14	16816G2		CHRISTMAS TREE RIVET (.25" X .88")	5
15	16816G1		CHRISTMAS TREE RIVET (.25" X .68")	2
16	605277		PEDAL COVER PLATE	1
17	16816G2		CHRISTMAS TREE RIVET (.25" X .88")	4
18				
19	600225		FLOOR BOARD.....	1
20	604066		FLAT WASHER, M10 (O.D. 30, I.D. 10.5, THK. 1.75)	2
21	602020		TORX SOCKET HEAD CAP SCREW, M10 - 1.5 X 50mm LG	2

BODY



When ordering parts, please specify the model and serial number of the product.

* Indicates a component that is not available as an individual part.

*** Indicates consult Customer Service Department for additional information.

ITEM	PART NO.	1 2 3 4 5	DESCRIPTION	QTY.
1	6XXXXX		REAR BODY ASSEMBLY WITHOUT LIGHT OPENINGS (includes items 5 - 6) (see colors below)..... 614976 IVORY 614979 FOREST GREEN 614980 PATRIOT BLUE 614981 BLACK 614982 BURGANDY 614983 BRIGHT WHITE 614984 FLAME RED 614985 STEEL BLUE 614989 PLATINUM 614988 ALMOND 614987 ELECTRIC BLUE 614986 INFERNO RED 617590 SUN BURST ORNAGE 617592 BRITISH RACING GREEN 630178 BARLEY GOLD 630181 OASIS GREEN 630184 JAVA BROWN 630187 METALLIC CHARCOAL	1
2	6XXXXX		REAR BODY ASSEMBLY WITH LIGHT OPENINGS (includes items 5 - 6) (see colors below)..... 615014 IVORY 615015 FOREST GREEN 615016 PATRIOT BLUE 615017 BLACK 615018 BURGANDY 615019 BRIGHT WHITE 615020 FLAME RED 615021 STEEL BLUE 615025 PLATINUM 615024 ALMOND 615023 ELECTRIC BLUE 615022 INFERNO RED 617594 SUN BURST ORNAGE 617596 BRITISH RACING GREEN 630195 BARLEY GOLD	1

BODY

When ordering parts, please specify the model and serial number of the product.

* Indicates a component that is not available as an individual part.

*** Indicates consult Customer Service Department for additional information.

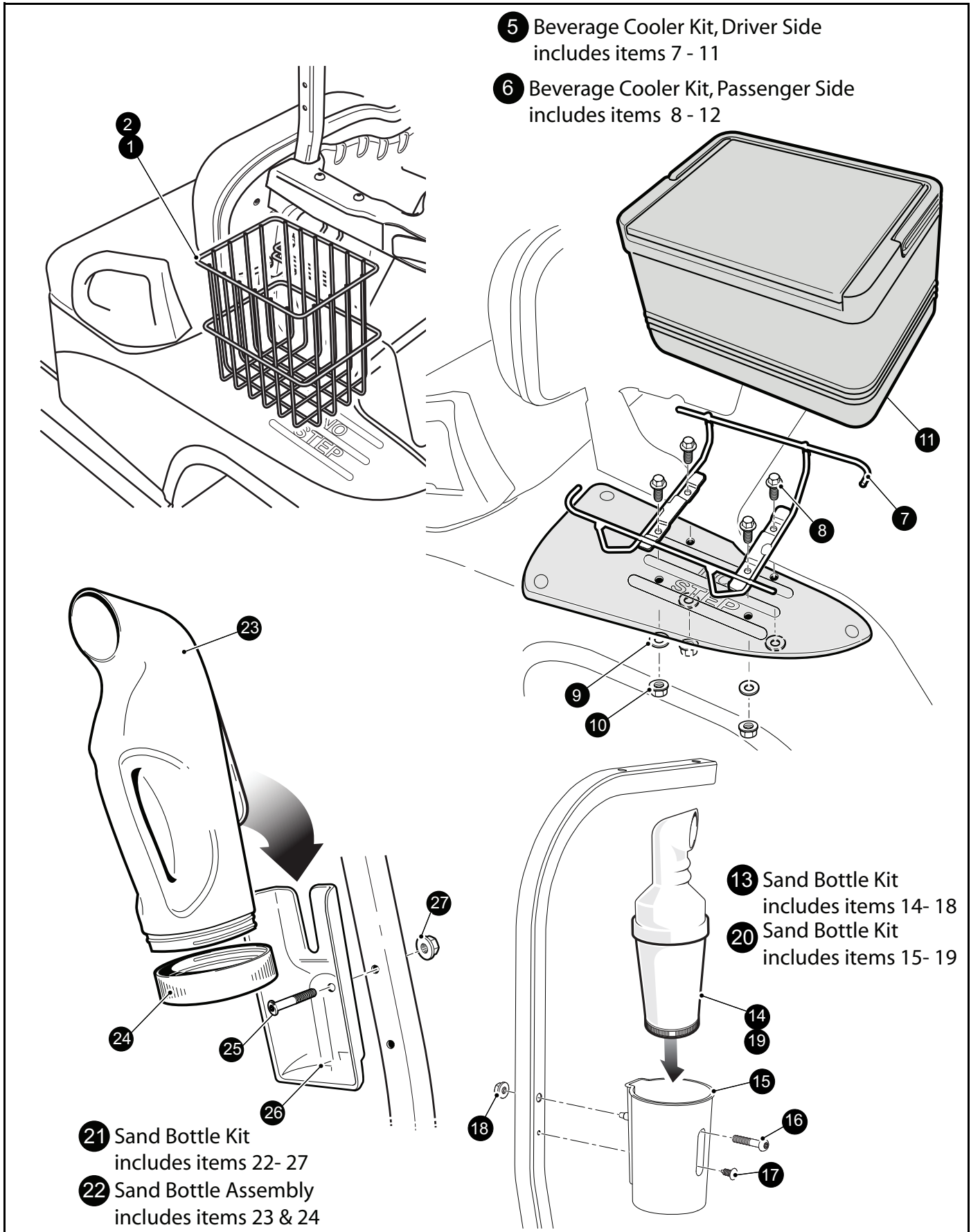
ITEM	PART NO.	1 2 3 4 5	DESCRIPTION	QTY.
			630201..... OASIS GREEN	
			630207..... JAVA BROWN	
			630213..... METALLIC CHARCOAL	
3				
4				
5	601679		BAGWELL LINER INSERT	1
6	16816G2		CHRISTMAS TREE RIVET (.25" X .88")	14
7	600249		REAR BODY ACCESS PANEL	1
8	602409		BARREL CLIP, M6 - 1	2
9	601326		BUTTON HEAD TORX BOLT, M6 - 1 X 20mm LG	2
10				
11				
12	602572		PAN HEAD TORX BOLT, M10 - 1.5 X 25mm LG	2
13	604066		FLAT WASHER, M10 (O.D. 30, I.D. 10.5, THK. 1.75).....	2
14				
15	602558		SEAT HINGE PLATE	1
16	602572		PAN HEAD TORX BOLT, M10 - 1.5 X 25mm LG	4
17				
18	601921		FRONT SEAT SUPPORT ASSEMBLY.....	1
19	602572		PAN HEAD TORX BOLT, M10 - 1.5 X 25mm LG	2
20				
21				
22	601621		REAR SPLASH GUARD, DRIVER SIDE	1
23	16816G2		CHRISTMAS TREE RIVET, .25" X .88".....	4
24				
25	601622		REAR SPLASH GUARD, PASSENGER SIDE	1
26	16816G2		CHRISTMAS TREE RIVET, .25" X .88".....	4
27				
28				
29				
30				
31	601865		SCUFF GUARD, DRIVER SIDE.....	1

When ordering parts, please specify the model and serial number of the product.

* Indicates a component that is not available as an individual part.

*** Indicates consult Customer Service Department for additional information.

ITEM	PART NO.	1 2 3 4 5	DESCRIPTION	QTY.
32	601864		SCUFF GUARD, PASSENGER SIDE.....	1
33	16816G2		CHRISTMAS TREE RIVET, .25" X .88"	6
34				
35				
36	604066		FLAT WASHER, O.D. 30, I.D. 10.5, THK. 1.75).....	4
37	605957		BUTTON HEAD TORX SCREW, THREAD FORMING, M8.....	4
38	603819		REAR BUMPER.....	1
39	604266		FLAT WASHER, M10 (O.D. 30, I.D. 10.5, THK. 1.75)	2
40	603799		HEX HEAD FLANGED BOLT, M10 - 1.5 X 25mm LG.....	4
41	608313		BUTTON HEAD TORX BOLT, M10 - 1.5 X 25mm LG	2
42				
43				
44	607859		RXV DECAL.....	2
45	610521		E - Z - GO FREEDOM DECAL.....	2
46	607863		E - Z - GO 2 + 2 SHUTTLE DECAL	2
47				
48	608993		RED SIDE REFLECTOR, DRIVER SIDE	1
49	608996		RED SIDE REFLECTOR, PASSENGER SIDE	1
50				
51				
52	608992		RED REAR REFLECTOR, DRIVER SIDE	1
53	608998		RED REAR REFLECTOR, PASSENGER SIDE	1
54				
55	611940		BAGWELL CLOSEOUT ASSEMBLY (includes items 56 - 58)	1
56	609310		BAGWELL CLOSEOUT	1
57	614973		OVAL RED REFLECTOR WITH ADHESIVE.....	2
58	71055G02		RIVET 3/16".....	4



5 Beverage Cooler Kit, Driver Side
includes items 7 - 11

6 Beverage Cooler Kit, Passenger Side
includes items 8 - 12

21 Sand Bottle Kit
includes items 22- 27

22 Sand Bottle Assembly
includes items 23 & 24

13 Sand Bottle Kit
includes items 14- 18

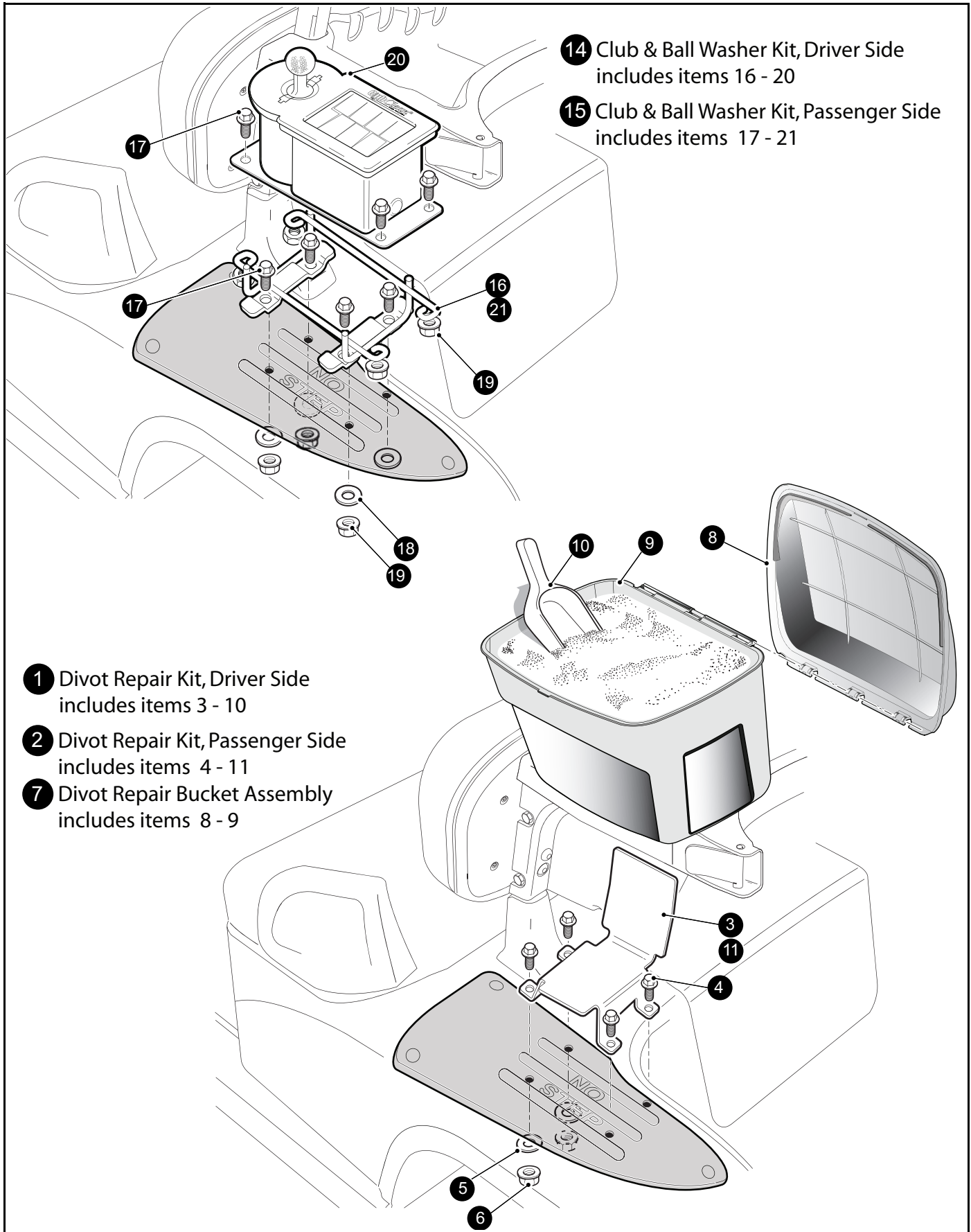
20 Sand Bottle Kit
includes items 15- 19

When ordering parts, please specify the model and serial number of the product.

* Indicates a component that is not available as an individual part.

*** Indicates consult Customer Service Department for additional information.

ITEM	PART NO.	1 2 3 4 5	DESCRIPTION	QTY.
1	603846		SIDE BASKET, DRIVER SIDE (use existing hardware).....	1
2	603702		SIDE BASKET, PASSENGER SIDE (use existing hardware).....	1
3				
4				
5	603733		BEVERAGE COOLER KIT, DRIVER SIDE (includes items 7 - 11).....	1
6	604215		BEVERAGE COOLER KIT, PASSENGER SIDE (includes items 8 - 12).....	1
7	603706		MOUNTING BRACKET, DRIVER SIDE	1
8	606256		FLANGED HEX HEAD BOLT, M10 - 1.5 X 34mm LG	4
9	608520		POLYPROPYLENE WASHER.....	4
10	606274		FLANGED HEX NUT, M10 - 1.25	4
11	601366		BEVERAGE COOLER.....	1
12	603777		MOUNTING BRACKET, PASSENGER SIDE (not shown in illustration) ..	1
13	614179		SAND BOTTLE KIT (includes items 14 - 18)	1
14	600612		SAND BOTTLE ASSEMBLY.....	1
15	28660G01		SAND BOTTLE ASSEMBLY HOLDER.....	1
16	603800		FLANGE HEAD BOLT, M10 - 1.5 X 50mm LG	1
17	16816G2		RATCHET RIVET, 0.25" X 0.887"	1
18	600525		LOCK NUT, M10 - 1.5.....	1
19	28459G01		SAND BOTTLE.....	1
20	614195		SAND BOTTLE KIT (includes items 15 - 19)	1
21	614390		SAND BOTTLE KIT (includes items 22 - 27)	1
22	607102		SAND BOTTLE ASSEMBLY (includes items 23 & 24).....	1
23	605961		SAND BOTTLE	1
24	605962		SAND BOTTLE CAP	1
25	603800		FLANGE HEAD BOLT, M10 - 1.5 X 50mm LG	1
26	606085		SAND BOTTLE MOUNTING BRACKET	1
27	600525		LOCK NUT, M10 - 1.5.....	1



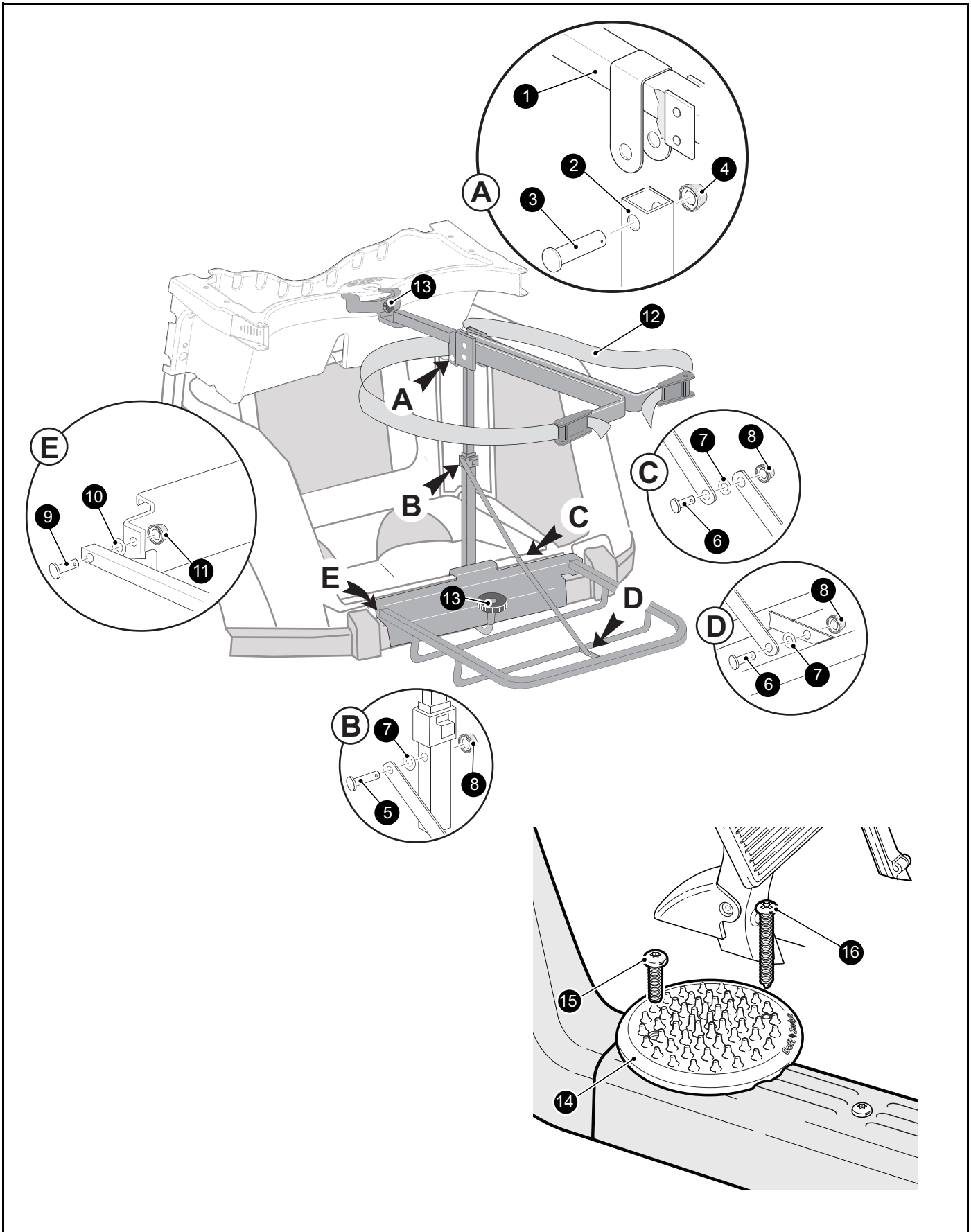
When ordering parts, please specify the model and serial number of the product.

* Indicates a component that is not available as an individual part.

*** Indicates consult Customer Service Department for additional information.

ITEM	PART NO.	1 2 3 4 5	DESCRIPTION	QTY.
1	604214		DIVOT REPAIR KIT, DRIVER SIDE (includes items 3 - 9)	1
2	603250		DIVOT REPAIR KIT, PASSENGER SIDE (includes items 4 - 10)	1
3	603825		MOUNTING BRACKET, DRIVER SIDE	1
4	606256		FLANGED HEX HEAD BOLT, M10 - 1.5 X 34mm LG	4
5	608520		POLYPROPYLENE WASHER.....	4
6	606274		FLANGED HEX NUT, M10 - 1.25	4
7	605702		DIVOT REPAIR BUCKET ASSEMBLY (includes items 8 - 9)	1
8	607635		DIVOT REPAIR BUCKET, TOP	1
9	607881		DIVOT REPAIR BUCKET, BOTTOM.....	1
10	74848G01		SCOOP.....	1
11	603824		MOUNTING BRACKET, PASSENGER SIDE	1
12				
13				
14	604216		CLUB & BALL WASHER KIT, DRIVER SIDE (includes items 16 - 20)	1
15	603252		CLUB & BALL WASHER KIT, PASSENGER SIDE (includes items 17 - 21)...	1
16	604576		MOUNTING BRACKET, DRIVER SIDE	1
17	606256		FLANGED HEX HEAD BOLT, M10 - 1.5 X 25mm LG	4
18	608520		POLYPROPYLENE WASHER, M10 X 4	4
19	606274		FLANGED HEX NUT, M10 - 1.25	8
20	603836		CLUB & BALL WASHER	1
21	604577		MOUNTING BRACKET, PASSENGER SIDE	1

BODY



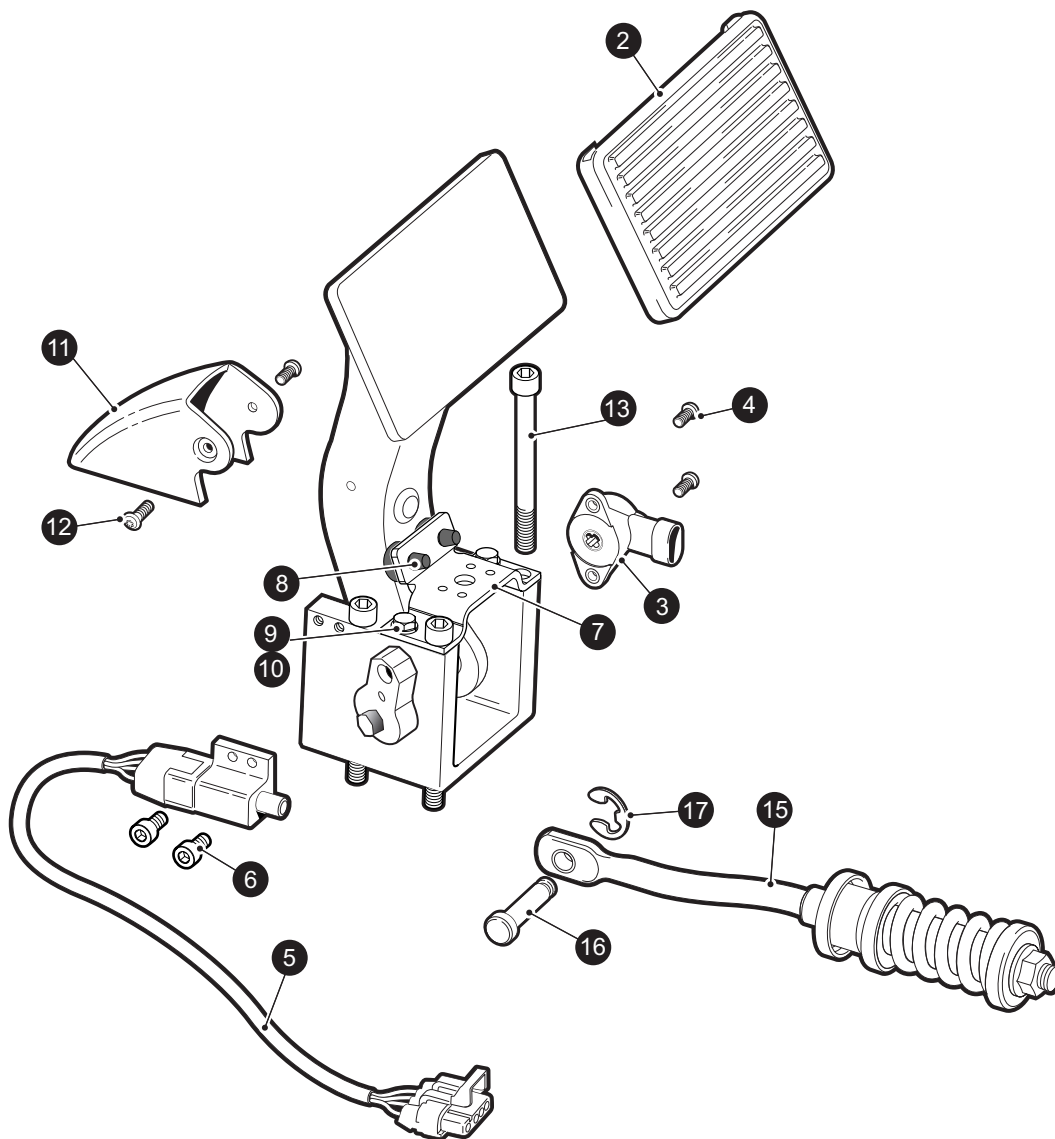
When ordering parts, please specify the model and serial number of the product.

* Indicates a component that is not available as an individual part.

*** Indicates consult Customer Service Department for additional information.

ITEM	PART NO.	1 2 3 4 5	DESCRIPTION	QTY.
1	608949		TOP RACK ASSEMBLY	1
2	608956		BOTTOM RACK ASSEMBLY	1
3	17651G2		CLEVIS PIN, 5/16" X 1.250"	1
4	28129G01		CAP NUT, 5/16" PLASTIC	1
5	17651G2		CLEVIS PIN, 5/16" X 1.250"	1
6	17651G3		CLEVIS PIN, 5/16" X 0.625"	2
7	00559G8		FLAT WASHER, 5/16"	3
8	28129G01		CAP NUT, 5/16" BLACK.....	3
9	17651G1		CLEVIS PIN, 3/8" X 1.250"	2
10	00560G1		FLAT WASHER, 3/8"	2
11	28128G02		CAP NUT, 3/8" BLACK.....	2
12	17641G1		STRAP	2
13	75337G01		KNOB, 5/16" - 18 THRU HOLE.....	2
14	604360		SOFTSWIPE	1
15	605957		BUTTON HEAD TORX SCREW, THREAD FORMING, M8.....	1
16	620209		PAN HEAD PHILLIPS SCREW, #10 X 2"	1

1 Brake Pedal Assembly includes items 2 - 10

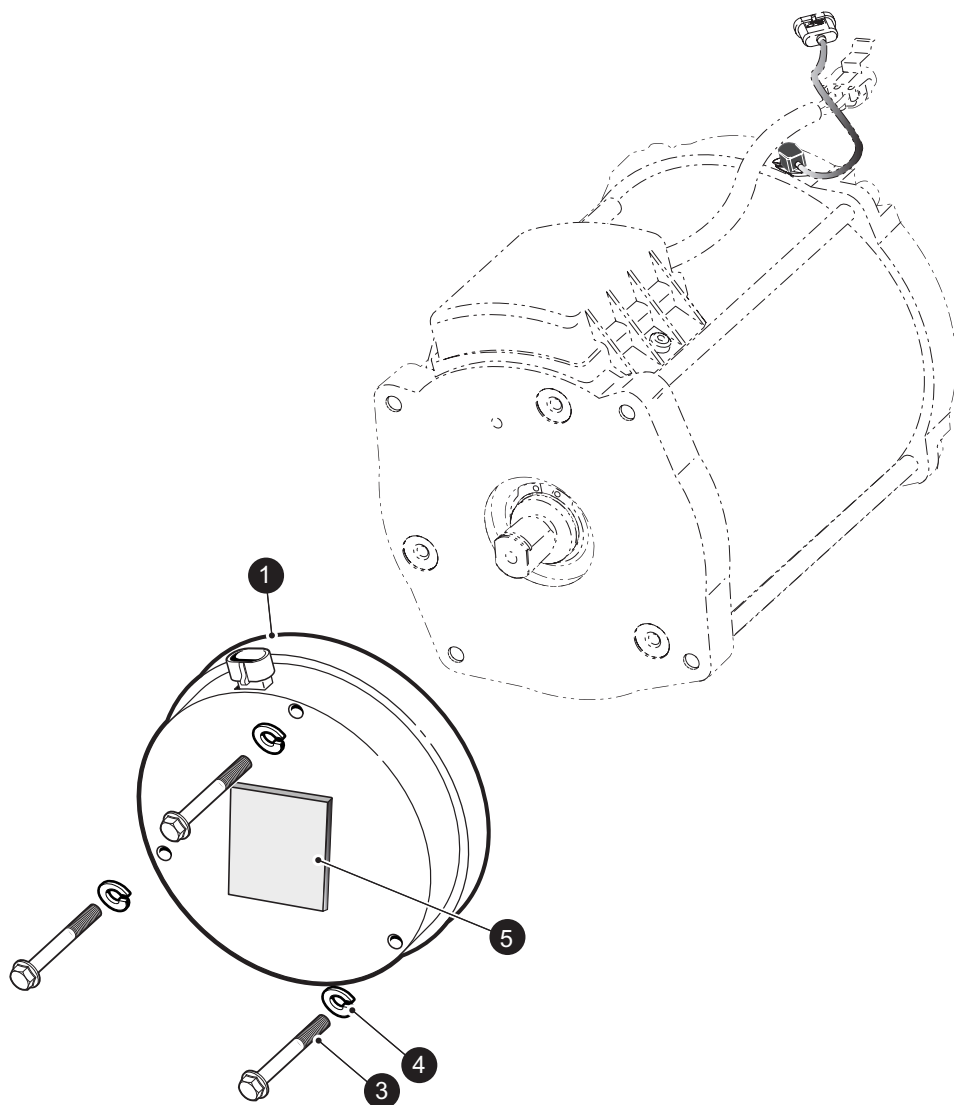


When ordering parts, please specify the model and serial number of the product.

* Indicates a component that is not available as an individual part.

*** Indicates consult Customer Service Department for additional information.

ITEM	PART NO.	1 2 3 4 5	DESCRIPTION	QTY.
1	626143		BRAKE PEDAL ASSEMBLY (ELECTRIC), (INCLUDES ITEMS 2 - 10)	1
2	610471		BRAKE PEDAL PAD.....	1
3	600019		ROTARY POSITION SENSOR.....	1
4	600543		BUTTON HEAD TORX BOLT, M4 - 7 X 13.....	2
5	607605		BRAKE PEDAL SWITCH.....	1
6	620030		SOCKET HEAD CAP SCREW, M5 - 0.8 X 10.....	2
7	609226		SWITCH BUTTON BRACKET	1
8	604097		REBOUND BUMPER	2
9	613231		BOLT, HEX - HD, M6 - 1 X 20.....	2
10	601327		LOCK WASHER, 6MM	2
11	605688		BRAKE PEDAL COVER	1
12	600543		BOLT, HEX - HD, M6 - 1 X 20	2
13	605254		SOCKET HEAD CAP SCREW M8 - 1.25 X 90	4
14				
15	605266		BRAKE PEDAL RETURN SPRING	1
16	601894		CLEVIS PIN	1
17	601835		E-RING, 8mm.....	1

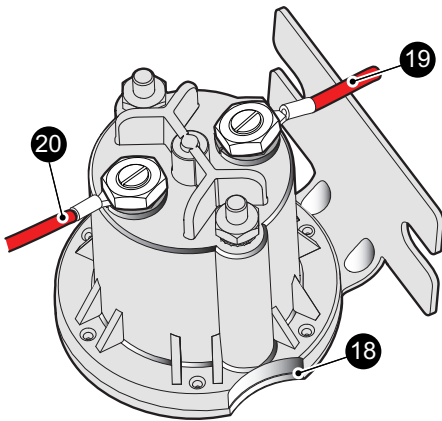


When ordering parts, please specify the model and serial number of the product.

* Indicates a component that is not available as an individual part.

*** Indicates consult Customer Service Department for additional information.

ITEM	PART NO.	1 2 3 4 5	DESCRIPTION	QTY.
1	610065		6" MOTOR BRAKE	1
2				
3	73715G01		FLANGED HEX HEAD SCREW, M6 - 1 X 60	3
4	00664-G7		LOCK WASHER, STAINLESS STEEL, 1/4"	3
5	612842		BRAKE COVER PLATE	1

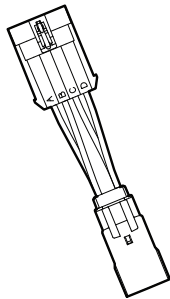


1 Harness Assembly with Solenoid (not shown)
(includes items 2, 7, 16 - 20)

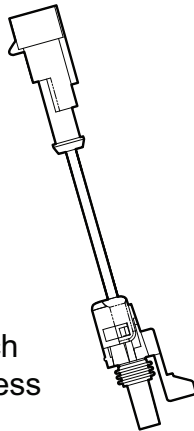
21 Harness Replacement Kit (not shown)
(includes items 1, 22 - 23)



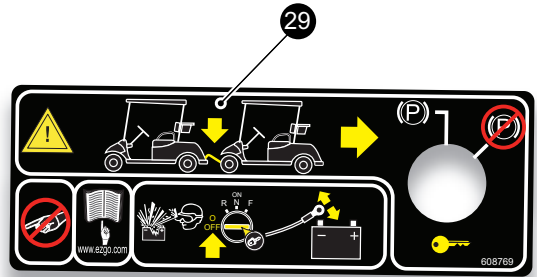
28 CE Run Tow Switch with Key



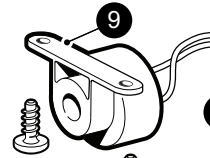
23 Throttle Switch Jumper Harness



22 Motor Sensor Jumper Harness



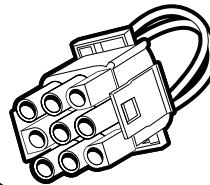
7 Main Electrical Harness (not shown)
(includes items 8, 11, 15)



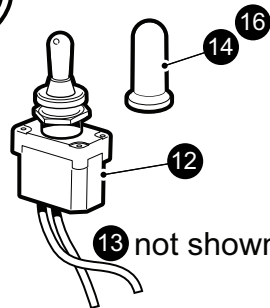
10 not shown



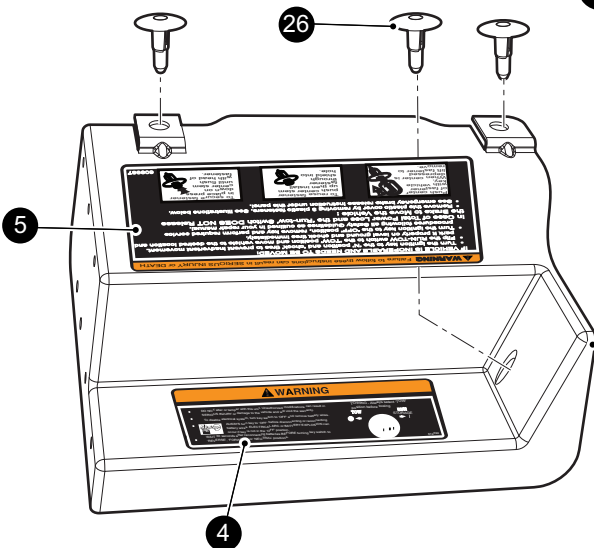
8 Reverse Warning Indicator Kit
(includes items 9 & 10)



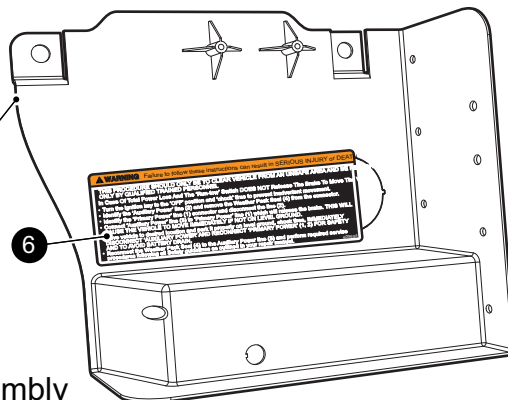
15 Run Plug



11 Run Tow Switch Kit
(includes items 12 - 14)



2 Controller Splash Shield Assembly
(includes items 3 - 6)

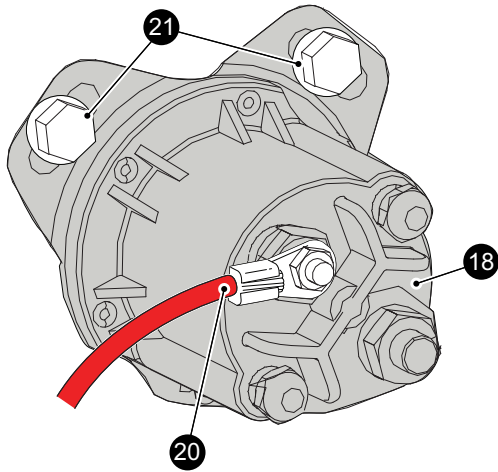


When ordering parts, please specify the model and serial number of the product.

* Indicates a component that is not available as an individual part.

*** Indicates consult Customer Service Department for additional information.

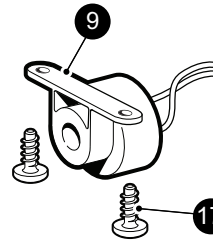
ITEM	PART NO.	1 2 3 4 5	DESCRIPTION	QTY.
1	614535		HARNESS ASSEMBLY WITH SOLENOID (INCLUDES ITEMS 2, 7,16 - 20).....	1
2	612423		CONTROLLER SPLASH SHIELD ASSEMBLY (INCLUDES ITEMS 3 - 6)	1
3	612422		SPLASH SHIELD CONTROLLER.....	1
4	612594		RUN/TOW SWITCH DECAL	1
5	609987		MAINTENANCE/TOWING DECAL.....	1
6	609694		TOWING INSTRUCTION NOTICE DECAL.....	1
7	614529		MAIN ELECTRICAL HARNESS, 48V (INCLUDES ITEMS 8,11,15)..	1
8	608899		REVERSE WARNING INDICATOR KIT (INCLUDES ITEMS 9 - 10).....	1
9	608882		REVERSE WARNING INDICATOR	1
10	608896		WATERPROOF BUTT SPLICE.....	2
11	608900		RUN/TOW SWITCH KIT (INCLUDES ITEMS 12 - 14).....	1
12	606980		RUN TOW SWITCH.....	1
13	608896		WATERPROOF BUTT SPLICE.....	2
14	605969		RUBBER BOOT	1
15	608039		RUN PLUG JUMPER	1
16	605969		RUBBER BOOT, RUN/TOW SWITCH	1
17	01051G1		PAN HEAD PHILLIPS SCREW, # 8 - 16.....	2
18	609428		SOLENOID ASSEMBLY, HEAVY DUTY, 36V	1
19	603758		RED WIRE ASSEMBLY, 6 AWG X 260mm.....	1
20	609760		RED WIRE ASSEMBLY, 6 AWG X 650mm.....	1
21	631070		HARNESS REPLACEMENT KIT (INCLUDES ITEMS 1, 22 - 23)	1
22	630995		MOTOR SENSOR JUMPER HARNESS	1
23	630996		THROTTLE SWITCH JUMPER HARNESS	1
24				
25				
26	610487		PLASTIC RIVET, 0.256".....	3
27				
28	608810		CE RUN TOW SWITCH WITH KEY	1
29	608769		CE RUN/TOW WARNING DECAL.....	1



ONLY POST PRODUCTION 23rd JAN 2012

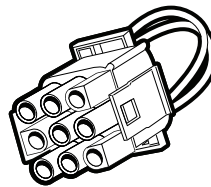
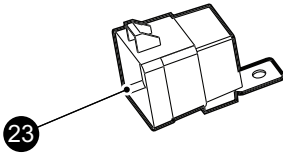
1 Solenoid Electrical Harness (not shown)
(includes items 2, 7, 16 - 20)

7 Main Electrical Harness (not shown)
(includes items 8, 11, 15)

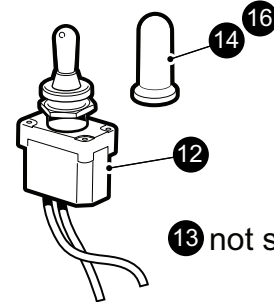


10 not shown

8 Reverse Warning Indicator Kit
(includes items 9 & 10)

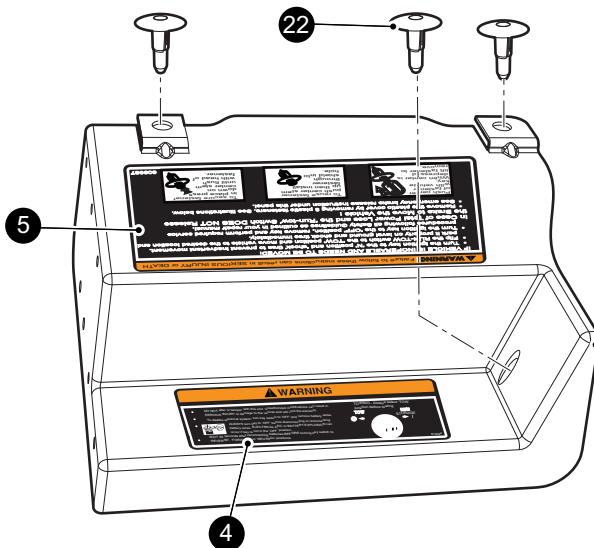


15 Run Plug

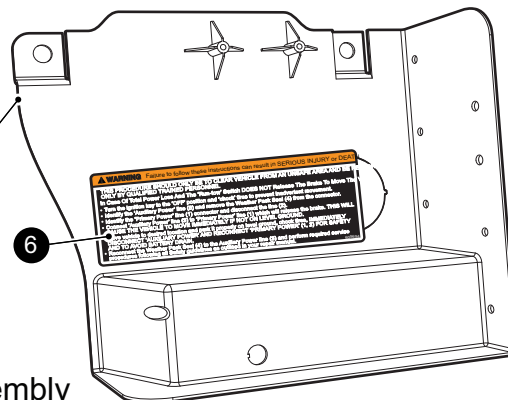


13 not shown

11 Run Tow Switch Kit
(includes items 12 - 14)



2 Controller Splash Shield Assembly
(includes items 3 - 6)

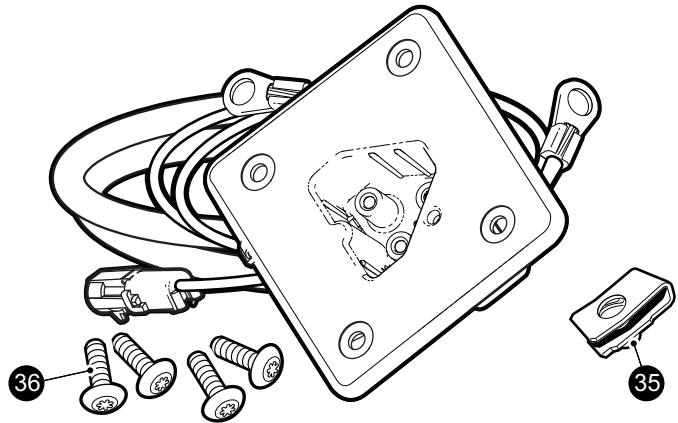
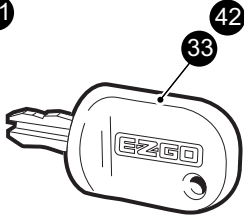
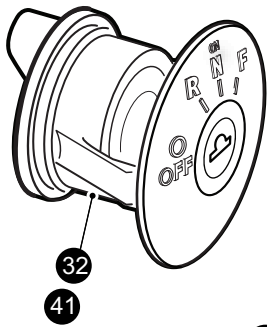


When ordering parts, please specify the model and serial number of the product.

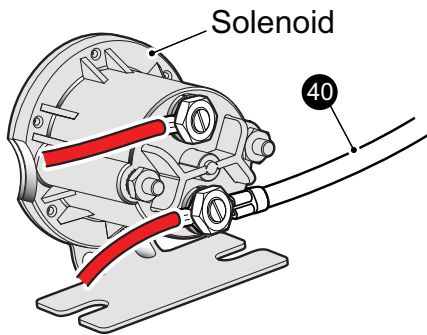
* Indicates a component that is not available as an individual part.

*** Indicates consult Customer Service Department for additional information.

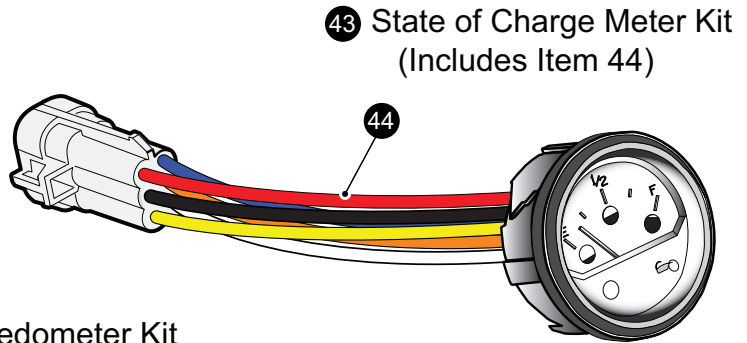
ITEM	PART NO.	1 2 3 4 5	DESCRIPTION	QTY.
1	618955		ELECTRICAL HARNESS ASSEMBLY WITH HD SOLENOID (INCLUDES ITEMS 2, 7,16 - 20) (POST PRODUCTION 23rd Jan 2012).....	1
2	612423		CONTROLLER SPLASH SHIELD ASSEMBLY (INCLUDES ITEMS 3 - 6)	1
3	612422		SPLASH SHIELD CONTROLLER	1
4	612594		RUN/TOW SWITCH DECAL	1
5	609987		MAINTENANCE/TOWING DECAL	1
6	609694		TOWING INSTRUCTION NOTICE DECAL	1
7	618950		MAIN ELECTRICAL HARNESS, 48V (INCLUDES ITEMS 8,11,15)	1
8	608899		REVERSE WARNING INDICATOR KIT (INCLUDES ITEMS 9 - 10)	1
9	608882		REVERSE WARNING INDICATOR.....	1
10	608896		WATERPROOF BUTT SPLICE	2
11	608900		RUN/TOW SWITCH KIT (INCLUDES ITEMS 12 - 14)	1
12	606980		RUN TOW SWITCH	1
13	608896		WATERPROOF BUTT SPLICE	2
14	605969		RUBBER BOOT	1
15	608039		RUN PLUG JUMPER.....	1
16	605969		RUBBER BOOT, RUN/TOW SWITCH	1
17	01051G1		PAN HEAD PHILLIPS SCREW, # 8 - 16	2
18	624317		SOLENOID ASSEMBLY, HEAVY DUTY, 36V.....	1
19				
20	609760		RED WIRE ASSEMBLY, 6 AWG X 650mm	1
21	71102G02		HEX HEAD CAP BOLT, 1/4" - 20 X 0.5" LG.....	2
22	610487		PLASTIC RIVET, 0.256".....	3
23	604110		RELAY, 24V.....	1



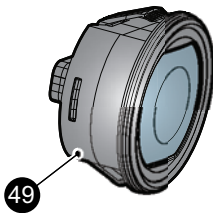
34 Charger Receptacle



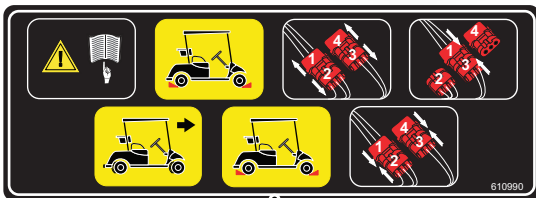
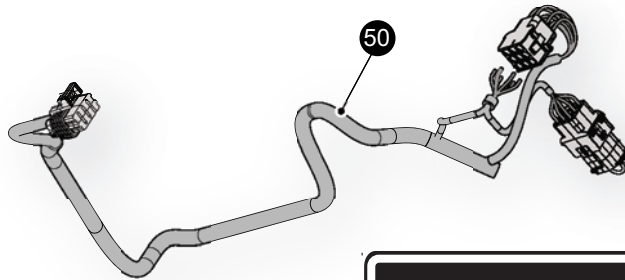
Solenoid



43 State of Charge Meter Kit
(Includes Item 44)



48 Speedometer Kit
(Includes Items 49 and 50)



47



46

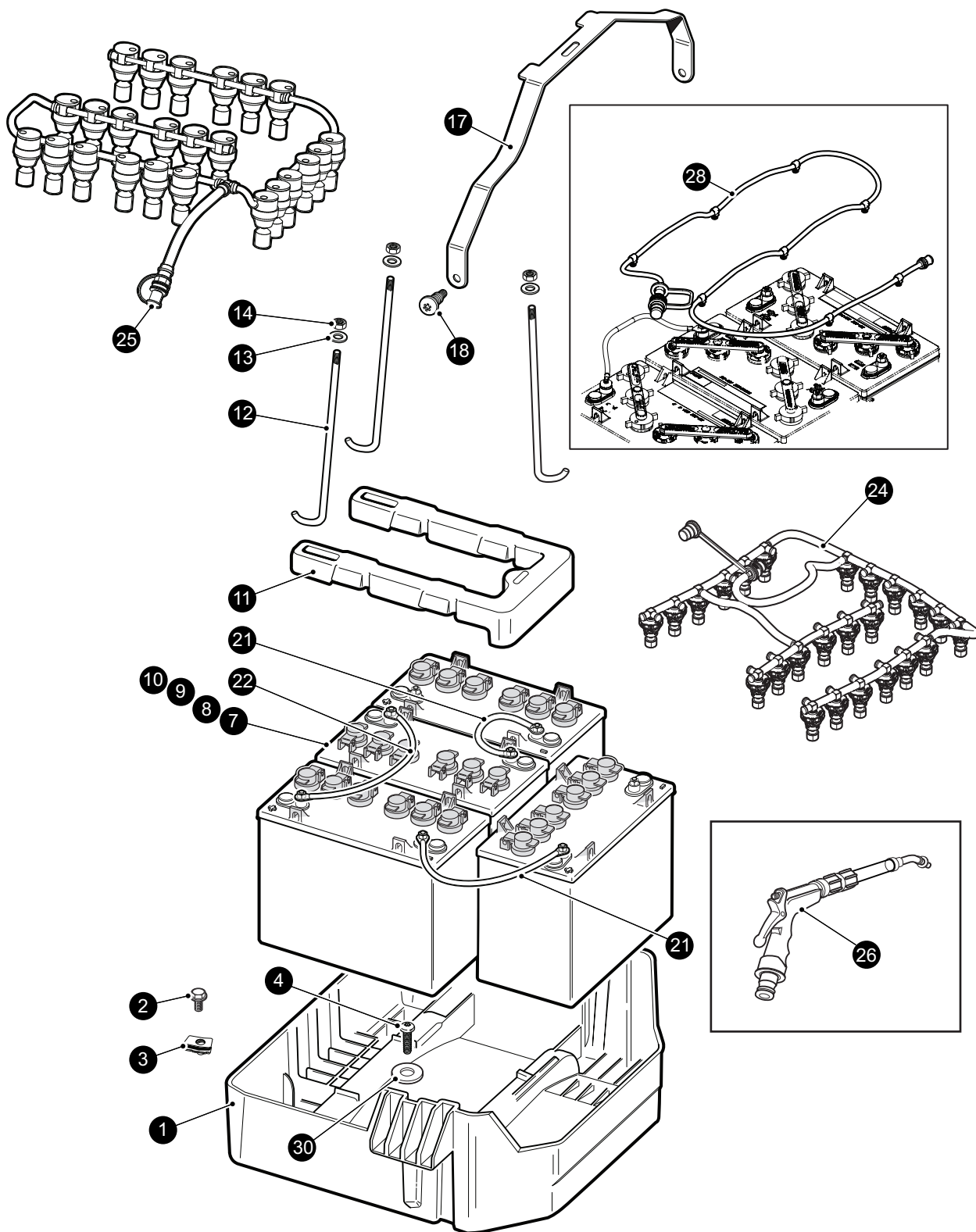
When ordering parts, please specify the model and serial number of the product.

* Indicates a component that is not available as an individual part.

*** Indicates consult Customer Service Department for additional information.

ITEM	PART NO.	1 2 3 4 5	DESCRIPTION	QTY.
30				
31				
32	611283		KEY SWITCH, R - N - F	1
33	612956		KEY	1
34	602529		CHARGER RECEPTACLE, 48V DELTA - Q	1
35	602409		BARREL CLIP, M6 - 1	1
36	601326		BUTTON HEAD TORX BOLT, M6 - 1 X 20mm LG	4
37				
38				
39				
40	607707		WHITE WIRE ASSEMBLY, 10 AWG X 260mm.....	1
41	609682		KEY SWITCH, R - N - F	1
42	609680		KEY	1
43	610583		STATE OF CHARGE METER KIT (INCLUDES ITEM 44)	1
44	612314		STATE OF CHARGE METER.....	1
45				
46	610991		CE SPALSH SHEILD WARNING	1
47	610990		CE BRAKE RELEASE DECAL	1
48	614914		SPEEDOMETER KIT (INCLUDES ITEMS 49 - 50)	1
49	609401		SPEEDOMETER, 48V	1
50	614897		JUMPER HARNESS	1

4 - 12V BATTERY SYSTEM



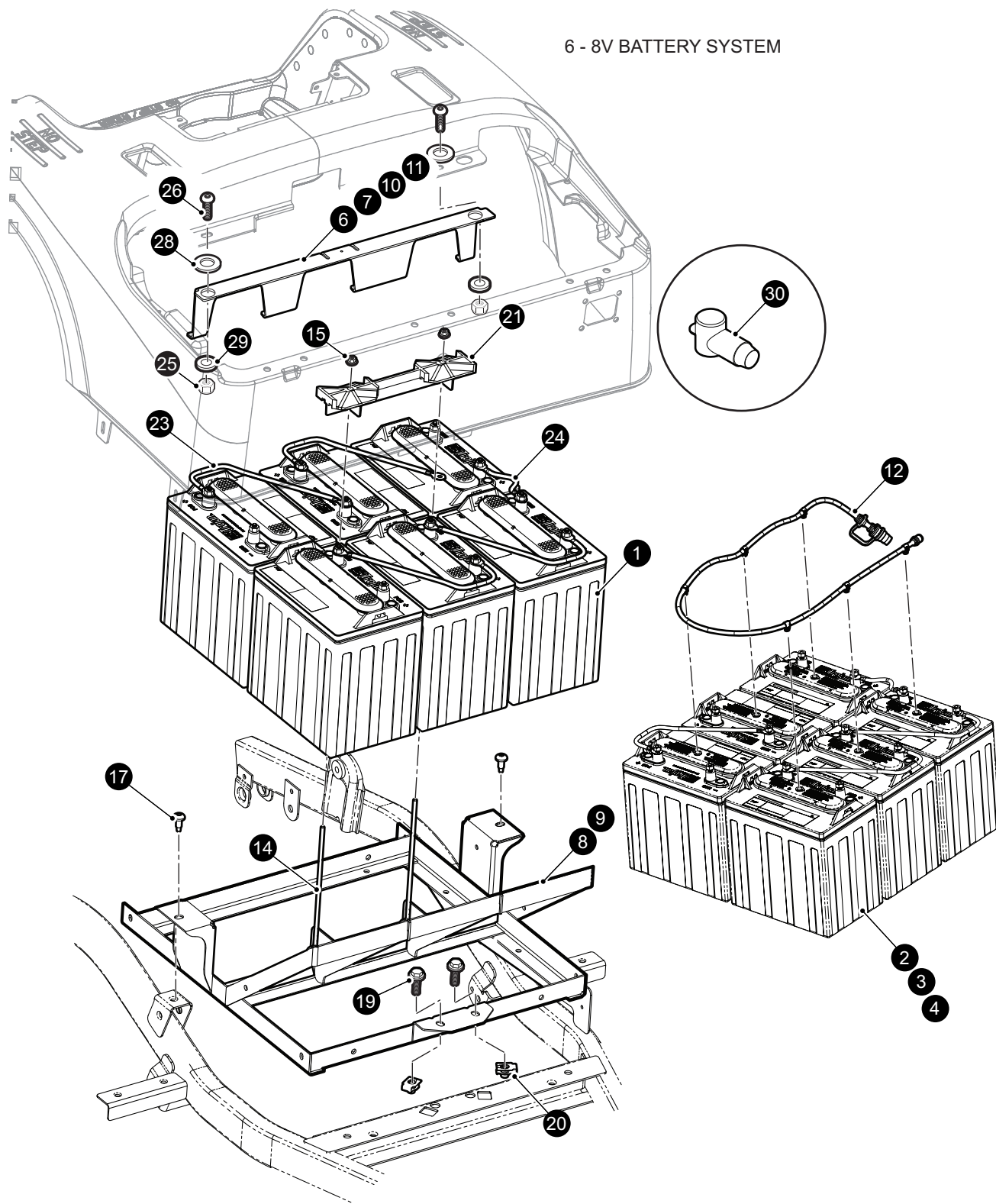
When ordering parts, please specify the model and serial number of the product.

* Indicates a component that is not available as an individual part.

*** Indicates consult Customer Service Department for additional information.

ITEM	PART NO.	1 2 3 4 5	DESCRIPTION	QTY.
1	603064		PLASTIC BATTERY TRAY.....	1
2	603799		FLANGED HEX HEAD BOLT, M10 - 1.5 X 25mm LG.....	2
3	603818		BARREL CLIP, M10 - 1.5.....	2
4	602572		PAN HEAD TORX BOLT, M10 - 1.5 X 25mm LG.....	2
5				
6				
7	602523		TROJAN BATTERY, 12V 140AMP.....	1
8	607906		TROJAN BATTERY, 12V 175AMP.....	1
9	641824		BATTERY US, 12V.....	4
10	641825		BATTERY US, 12V.....	4
11	601695		BATTERY HOLD DOWN.....	1
12	602896		BATTERY HOLD DOWN ROD.....	3
13	00571G2		FLAT WASHER, 5/16".....	3
14	11098G6		LOCK NUT, 5/16" - 18.....	3
15				
16	600525		LOCK NUT, M10 - 1.5 (NOT ILLUSTRATED).....	2
17	608315		BATTERY STRAP.....	1
18	602572		PAN HEAD TORX BOLT, M10 - 1.5 X 25mm LG.....	2
19				
20				
21	602930		BLUE WIRE ASSEMBLY, 6 GA X 261mm.....	2
22	607057		BLUE WIRE ASSEMBLY, 6 GA X 325mm.....	1
23				
24	632272		FLOWRITE, BATTERY FILL SYSTEM.....	1
25	609216		BATTERY FILL SYSTEM.....	1
26	608813		NOZZLE GUN.....	1
27	609540		NOZZLE GUN ADAPTER (NOT ILLUSTRATED) (TO ADAPT OLDER FILL SYSTEMS TO NEW GUN).....	1
28	620820		SNAKE ASSEMBLY - HYDROLINK.....	1
29	615352		POLYPROPYLENE CLAMP (NOT ILLUSTRATED).....	1
30	604066		FLAT WASHER, M10 - 10.5mm X 30mm.....	2

6 - 8V BATTERY SYSTEM

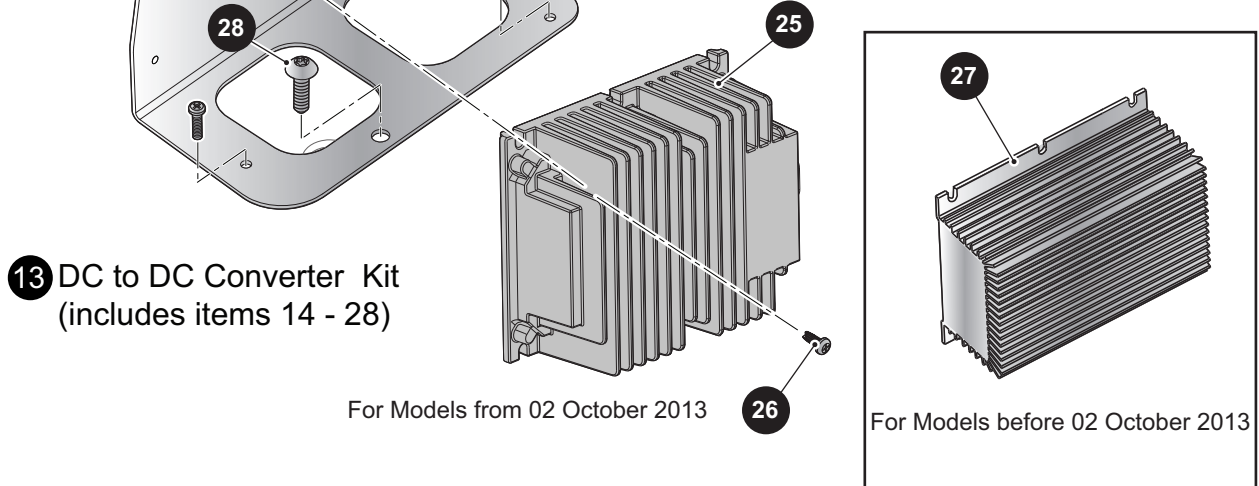
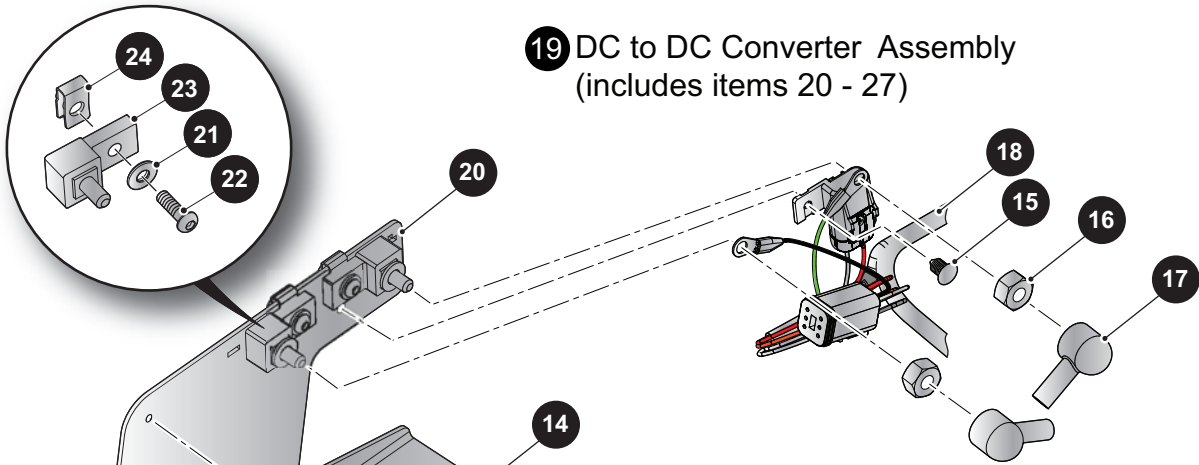
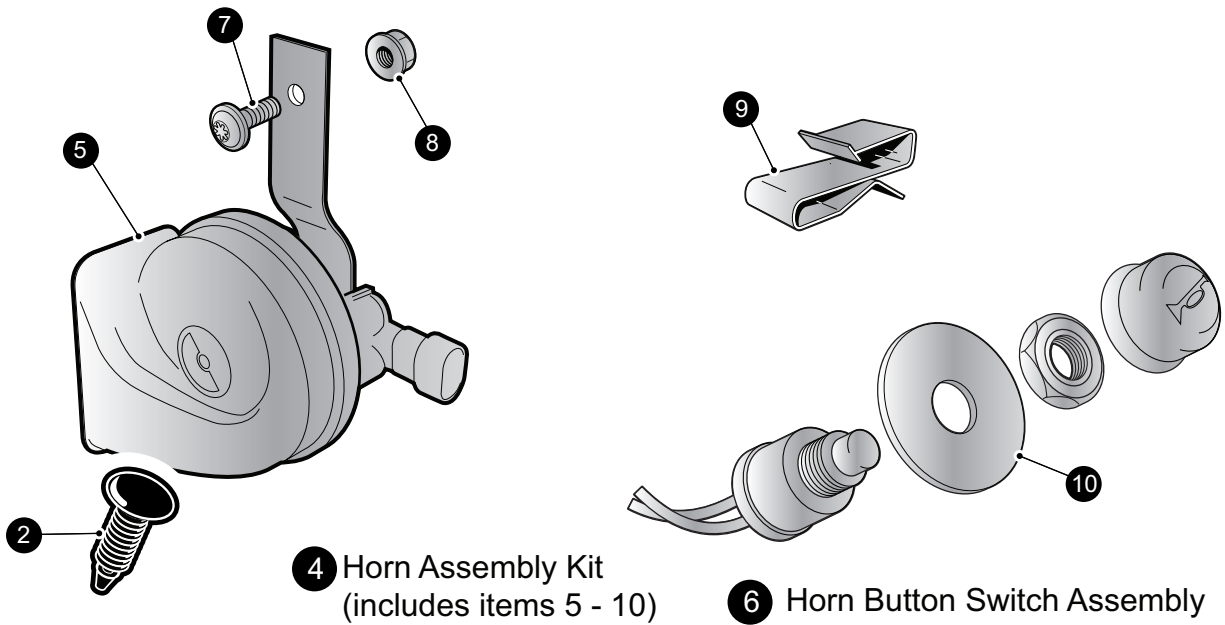


When ordering parts, please specify the model and serial number of the product.

* Indicates a component that is not available as an individual part.

*** Indicates consult Customer Service Department for additional information.

ITEM	PART NO.	1 2 3 4 5	DESCRIPTION	QTY.
1	618594		BATTERY, 8V	6
2	618595		BATTERY, 8V, HYDROLINK	6
3	641830		BATTERY, 8V	6
4	641829		BATTERY, 8V, FLOWRITE.....	6
5				
6	627782		BATTERY RETAINER - TALL	1
7	628618		BATTERY RETAINER - TALL, GALVANIZED	1
8	627656		BATTERY TRAY WELDMENT	1
9	628617		BATTERY TRAY WELDMENT - GALVANIZED	1
10	624288		BATTERY RETAINER - SHORT	1
11	628619		BATTERY RETAINER - SHORT, GALVANIZED	1
12	614457		SNAKE, HYDROLINK.....	1
13				
14	01101G01		TIE DOWN BOLT	2
15	11027G1		FLANGED LOCK NUT, 5/16" - 18.....	2
16				
17	602572		PAN HEAD TAPTITE BOLT, M10 - 1.5 X 25MM LG	2
18				
19	603799		HEX HEAD BOLT, M10 - 1.5 X 25MM LG.....	2
20	603818		BARREL CLIP, M10 - 1.5.....	2
21	612867		RETAINER	1
22				
23	613236		BLUE WIRE ASSEMBLY - 6AWG, 380MM.....	4
24	613237		BLUE WIRE ASSEMBLY - 6AWG, 150MM.....	1
25	616673		LOCK NUT, M8 X 1.25.....	2
26	628635		PAN HEAD TAPTITE BOLT, M8 - 1.25 X 30MM LG	2
27				
28	604066		FLAT WASHER, 30MM O.D. X 10.5MM I.D.....	2
29	00571G2		FLAT WASHER, 5/16".....	2
30	840177		TERMINAL BOOT.....	3

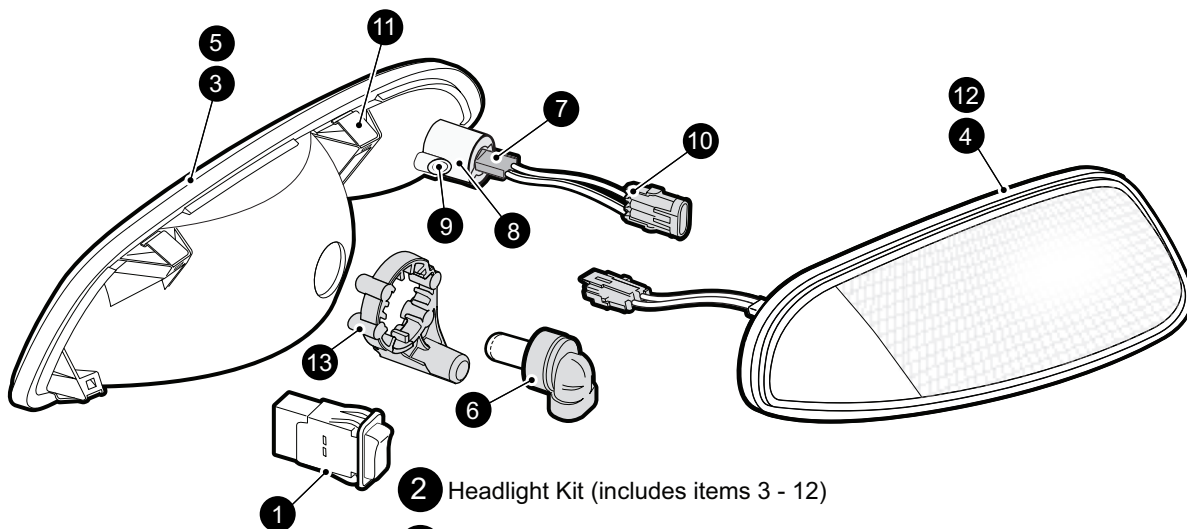


When ordering parts, please specify the model and serial number of the product.

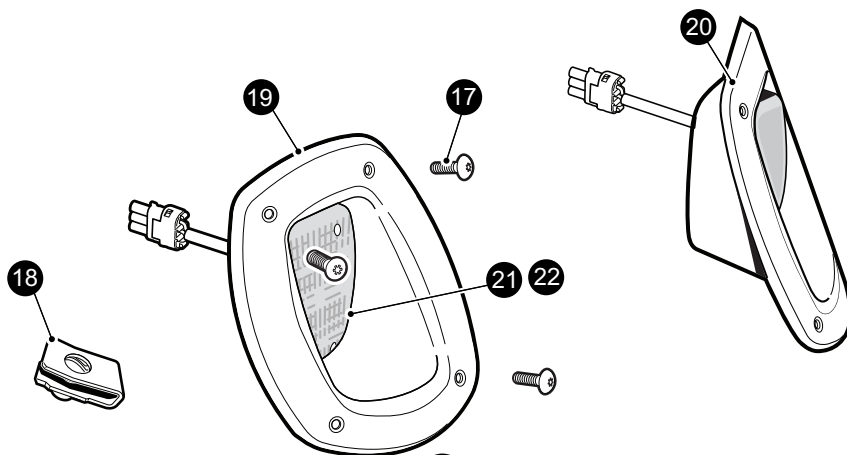
* Indicates a component that is not available as an individual part.

*** Indicates consult Customer Service Department for additional information.

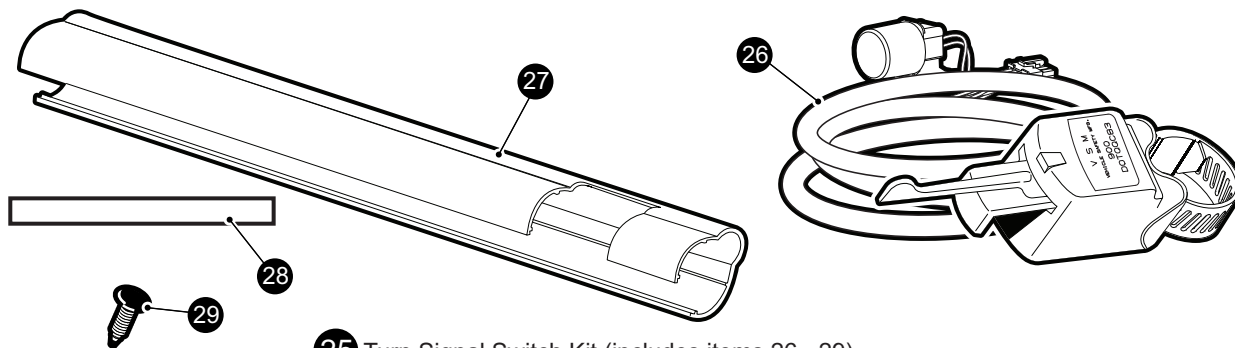
ITEM	PART NO.	1 2 3 4 5	DESCRIPTION	QTY.
1	631806		ACCESSORY HARNESS WITH DC-DC CONVERTER (NOT ILLUSTRATED)	1
2	16816G2		CHRISTMAS TREE RIVET, .25" X .88"	1
3				
4	607528		HORN ASSEMBLY KIT (INCLUDES ITEMS 5 -10)	1
5	604196		HORN ASSEMBLY	1
6	604193		HORN BUTTON SWITCH ASSEMBLY	1
7	601326		BUTTON HEAD TORX BOLT, M6 - 1 X 20mm LG	1
8	601476		LOCK NUT, M6 - 1.....	1
9	01072G01		CABLE CLIP	3
10	608397		HORN PLATE	1
11				
12				
13	628607		DC TO DC CONVERTER KIT (INCLUDES ITEMS 14 - 28).....	1
14	608290		SELF TAPPING SCREW, # 10 - 16.....	2
15	16816G5		RATCHET RIVET, 0.187" X 0.550"	1
16	00702G2		HEX NUT, 5/16" - 18.....	2
17	25682G01		RUBBER TERMINAL BOOT	2
18	608182		DC - DC HARNESS, 20A	1
19	632184		DC - DC CONVERTER ASSEMBLY (INCLUDES ITEMS 20 - 27)	1
20	632183		DC - DC CONVERTER BRACKET	1
21	00559G6		FLAT WASHER, #12	2
22	601326		TORX HEAD BOLT, M6 - 1 X 20mm LG	2
23	33343G01		TERMINAL BLOCK.....	2
24	602409		BARREL CLIP, M6 - 1	2
25	632185		DC - DC CONVERTER, 20A (FOR MODELS FROM 02 OCTOBER 2013).....	1
26	632372		TAPPING SCREW, # 10 - 32 X 3/4" LG	4
27	604884		DC - DC CONVERTER (FOR MODELS BEFORE 02 OCTOBER 2013)	1
28	605957		BOSS SCREW, M8	1



- 1** Connector
- 2** Headlight Kit (includes items 3 - 12)
- 3** Headlight Assembly, Driver Side (includes items 5 - 11, 13)
- 4** Headlight Assembly, Passenger Side (includes items 6 - 13)



- 15** Tail Light Kit (includes items 16 - 22)
- 16** Tail Light Hardware Kit (includes items 17 & 18)
- 19** Tail Light Assembly, Driver Side (includes items 21 & 22)
- 20** Tail Light Assembly, Passenger Side (includes items 21 & 22)



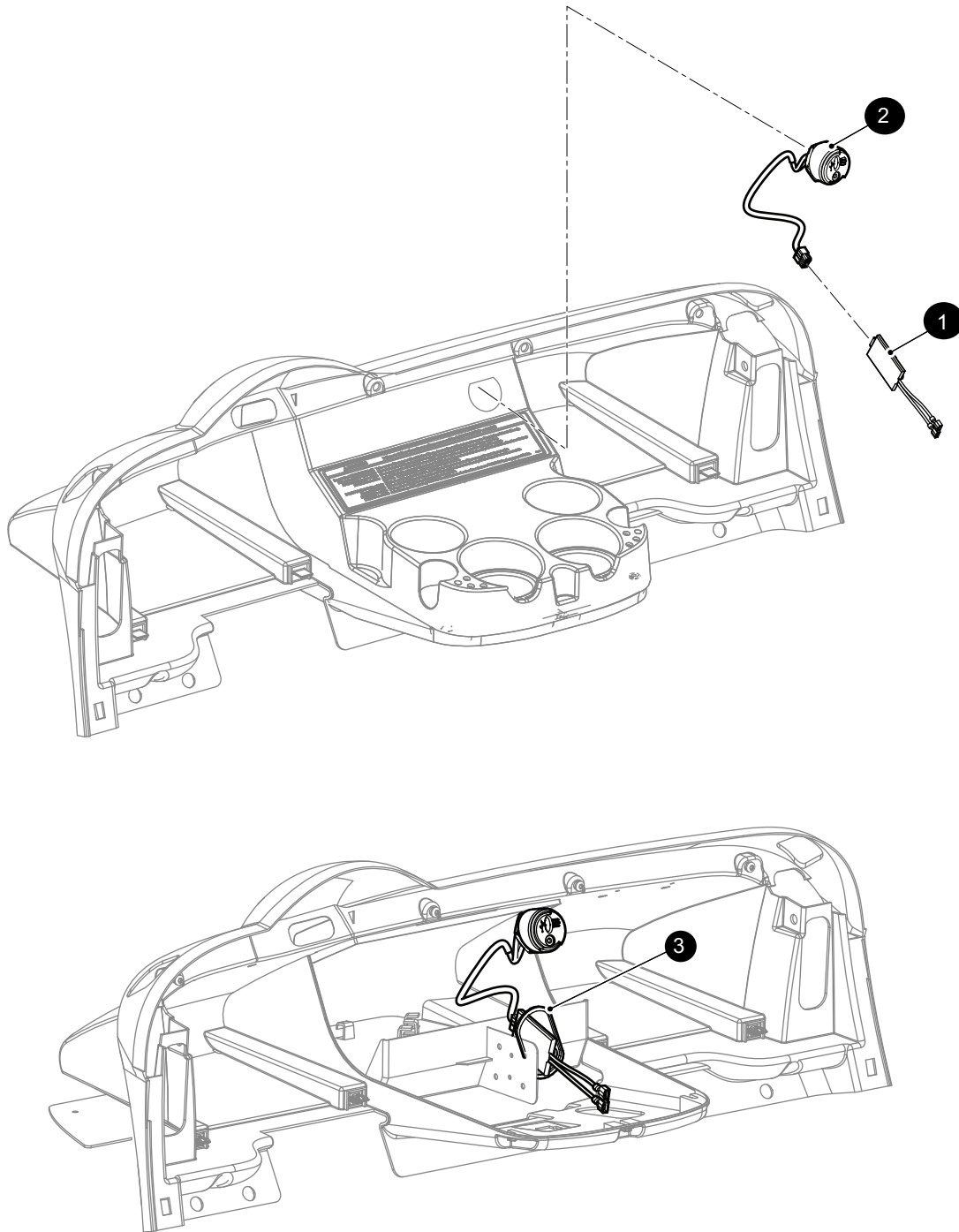
- 25** Turn Signal Switch Kit (includes items 26 - 29)

When ordering parts, please specify the model and serial number of the product.

* Indicates a component that is not available as an individual part.

*** Indicates consult Customer Service Department for additional information.

ITEM	PART NO.	1 2 3 4 5	DESCRIPTION	QTY.
1	604019		HEADLIGHT SWITCH	1
2	607445		HEADLIGHT KIT (INCLUDES ITEMS 3 - 13)	1
3	607439		HEADLIGHT ASSEMBLY, DRIVER SIDE (INCLUDES ITEMS 5 - 11, 13)	1
4	607438		HEADLIGHT ASSEMBLY, PASSENGER SIDE (INCLUDES ITEMS 6 - 13)	1
5	604452		GASKET, DRIVER SIDE	1
6	74004G01		HEADLIGHT BULB	1
7	604539		TURN SIGNAL BULB.....	1
8	608322		BULB RETAINER.....	1
9	608328		BUTTON HEAD TORX SCREW, PLASTITE	1
10	607487		TURN SIGNAL WIRE HARNESS	1
11	607434		HEADLIGHT RETAINING CLIP	4
12	607437		GASKET, PASSENGER SIDE	1
13	615459		COLLAR, HEADLIGHT	1
14				
15	607450		TAIL LIGHT KIT (INCLUDES ITEMS 16 - 22).....	1
16	607474		TAIL LIGHT HARDWARE KIT (INCLUDES ITEMS 17 - 18)	1
17	601326		BUTTON HEAD TORX BOLT, M6 - 1 X 20mm LG	8
18	602409		BARRELL CLIP, M6	8
19	603325		TAIL LIGHT ASSEMBLY, DRIVER SIDE (INCLUDES ITEMS 21 - 22)	1
20	603326		TAIL LIGHT ASSEMBLY, PASSENGER SIDE (INCLUDES ITEMS 21 - 22).....	1
21	604311		TAIL LIGHT BULB.....	1
22	604858		TAIL LIGHT LENS.....	1
23				
24				
25	607530		TURN SIGNAL SWITCH KIT (INCLUDES ITEMS 26 - 29)	1
26	604511		TURN SIGNAL SWITCH ASSEMBLY	1
27	20965G3		STEERING COLUMN COVER.....	1
28	608771		RUBBER ISOLATION STRIP	1
29	16816G5		CHRISTMAS TREE RIVET, .18" X .55".....	2



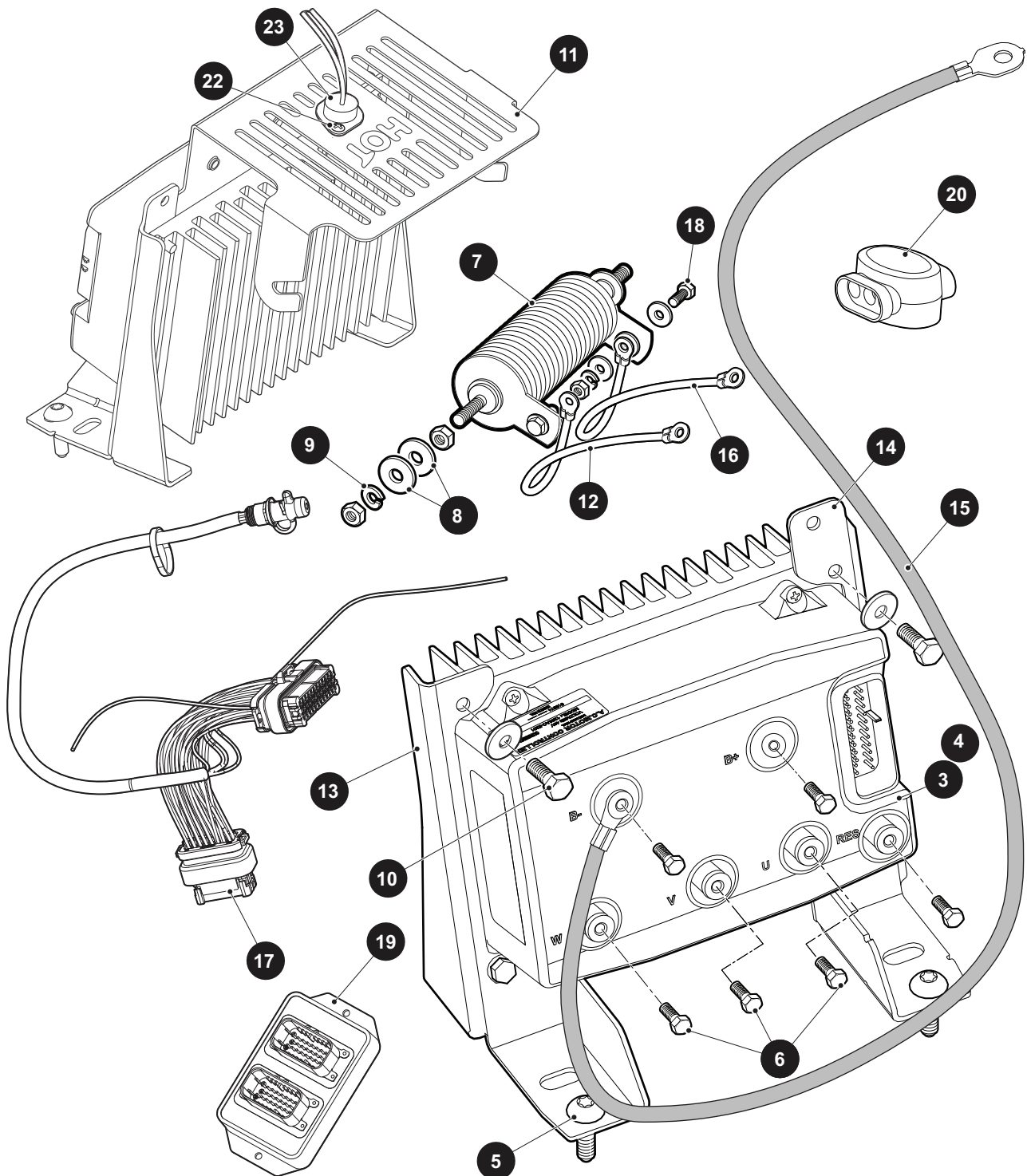
When ordering parts, please specify the model and serial number of the product.

* Indicates a component that is not available as an individual part.

*** Indicates consult Customer Service Department for additional information.

ITEM	PART NO.	1 2 3 4 5	DESCRIPTION	QTY.
1	638233		ELECTRONICS BOX	1
2	639384		USB PORT	1
3	17618G1		NYLON CLAMP	2
4	638585		USB HARNESS (NOT ILLUSTRATED)	1

ELECTRONIC SPEED CONTROL



1 CURTIS CONTROLLER KIT includes items 3 & 5 - 22

2 CURTIS CONTROLLER KIT includes items 4 & 5 - 22

ELECTRONIC SPEED CONTROL

When ordering parts, please specify the model and serial number of the product.

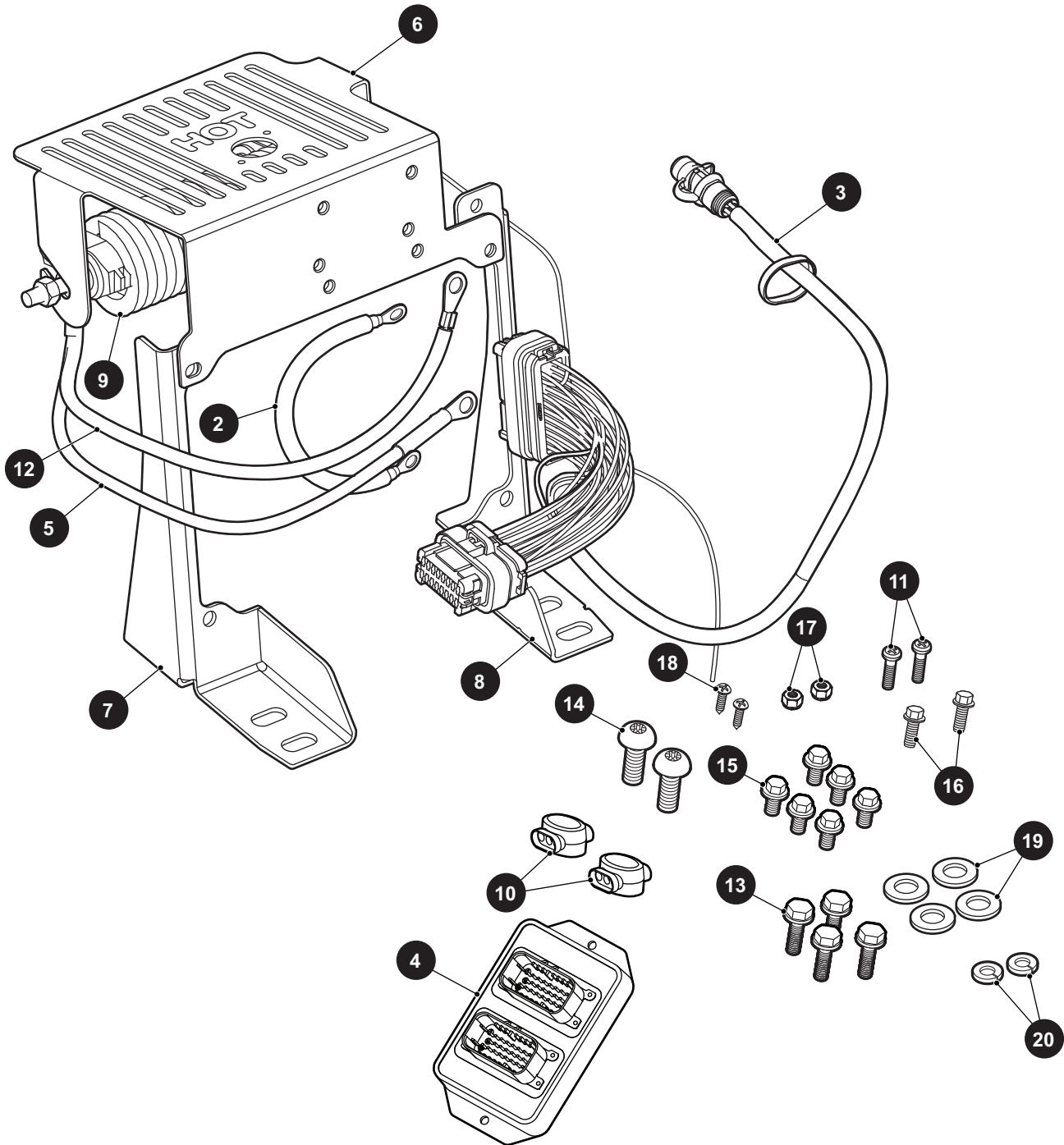
* Indicates a component that is not available as an individual part.

*** Indicates consult Customer Service Department for additional information.

ITEM	PART NO.	1 2 3 4 5	DESCRIPTION	QTY.
1	625684		CURTIS CONTROLLER KIT - FLEET (INCLUDES ITEMS 3 & 5 - 22)	1
2	627057		CURTIS CONTROLLER KIT - FREEDOM (INCLUDES ITEMS 4 & 5 - 22) ...	1
3	618374		CONTROLLER, 1206AC - 5201	1
4	626308		CONTROLLER, 1206AC - 5203	1
5	605957		BOSS SCREW, M8	2
6	73876G01		FLANGED BOLT, M6 - 1.00 X 12mm LG.....	6
7	619001		RESISTOR, .86 OHM RATING.....	1
8	00571G2		FLAT WASHER, 5/16"	4
9	00565G8		LOCK WASHER, 5/16"	2
10	606264		HEX FLANGED BOLT, M6 - 1 X 20mm LG	4
11	623433		HEAT SHIELD	1
12	607707		WHITE WIRE ASSEMBLY, 10AWG.....	1
13	623213		CONTROLLER BRACKET, RH	1
14	623170		CONTROLLER BRACKET, LH.....	1
15	624618		BLACK WIRE ASSEMBLY, 6AWG (830mm).....	1
16	624611		WHITE WIRE ASSEMBLY, 10AWG (400mm)	1
17	626124		ADAPTOR HARNESS ASSEMBLY	1
18	71102G02		SCREW, CAP HEX HEAD WASHER, 1/4" - 20 LG.....	2
19	626118		ADAPTOR, 23 PIN TO 23 PIN	1
20	614898		SPLICE, 2 OR 3 WIRE	2
21	608290		SELF TAPPING SCREW, #10 - 16 X .780" LG (NOT ILLUSTRATED)	2
22	00614G4		PAN HEAD PHILLIPS SELF DRILLING SCREW, #8 - 18 X 1/2" LG	2
23	609688		BI - METAL SWITCH.....	1

ELECTRONIC SPEED CONTROL

1 DANAHER TO CURTIS CONTROLLER SWAP KIT, 350A includes items 2 - 20



ELECTRONIC SPEED CONTROL

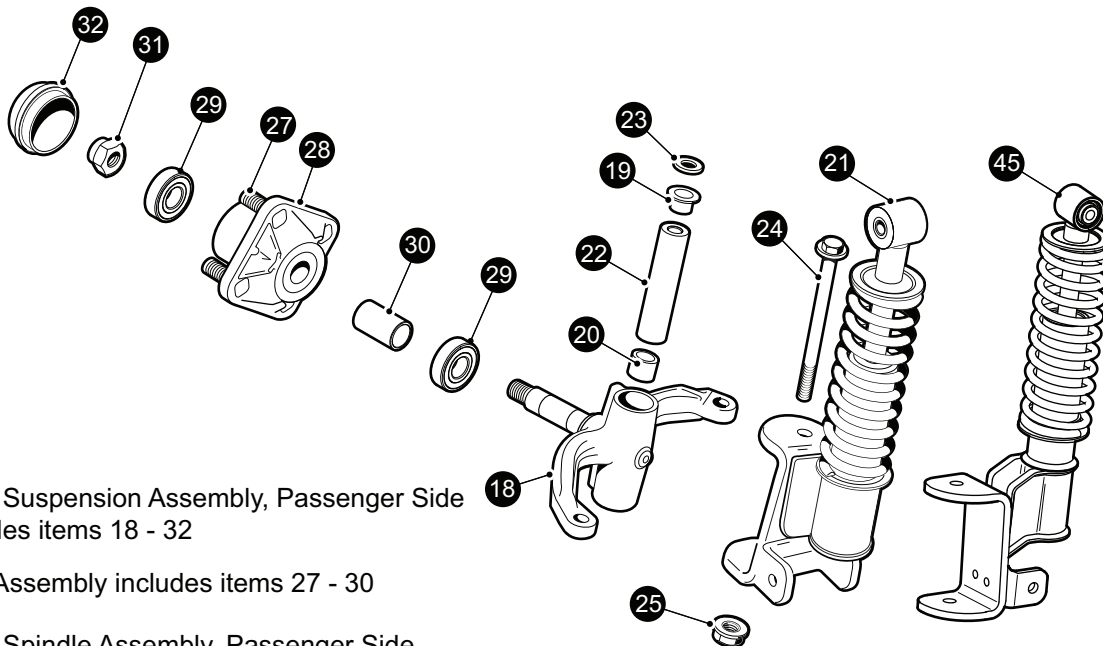
When ordering parts, please specify the model and serial number of the product.

* Indicates a component that is not available as an individual part.

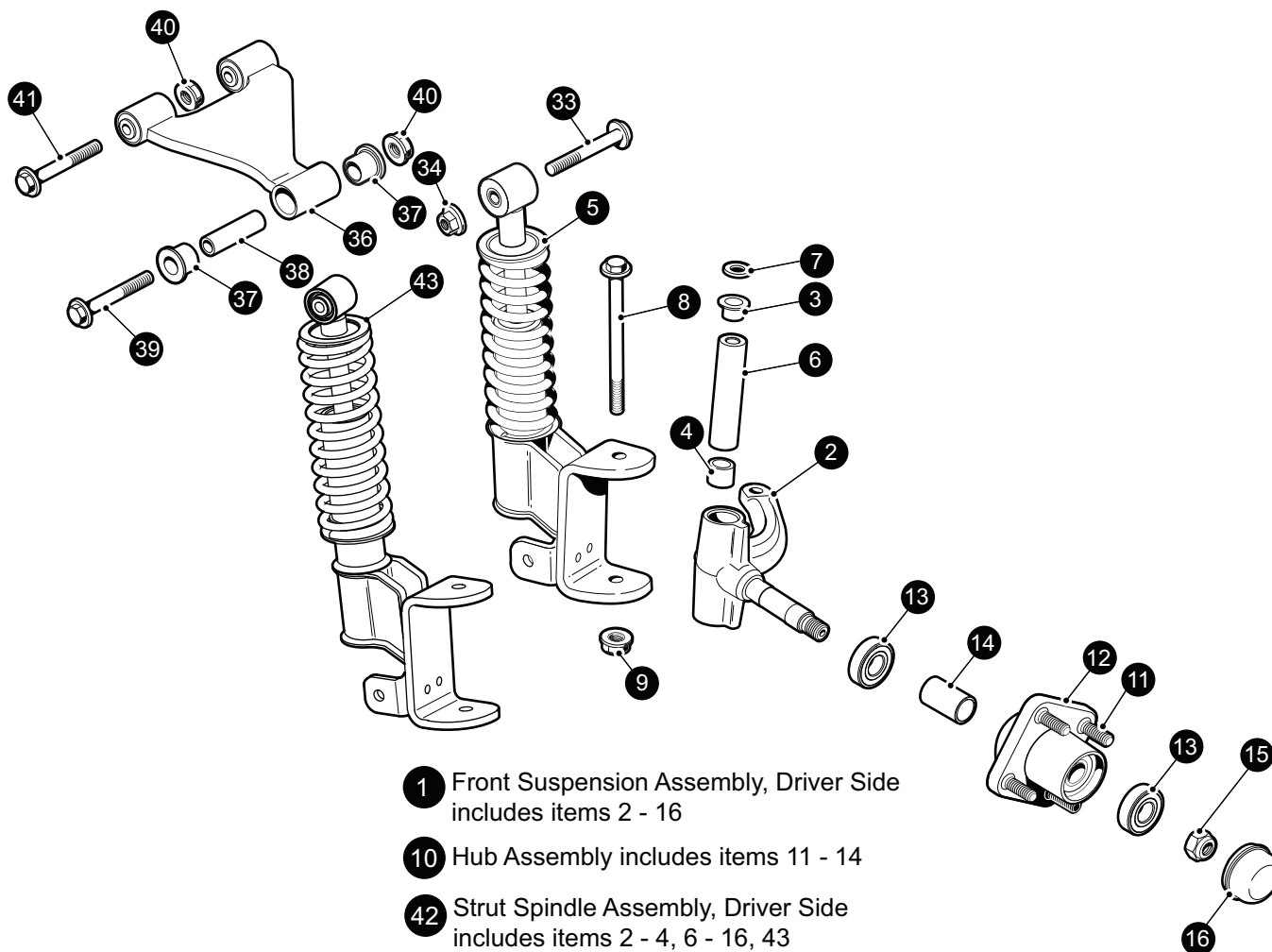
*** Indicates consult Customer Service Department for additional information.

ITEM	PART NO.	1 2 3 4 5	DESCRIPTION	QTY.
1	627759		DANAHER TO CURTIS CONTROLLER SWAP KIT, 350A (INCLUDES ITEMS 2 - 20)	1
2	643354		RED WIRE ASSEMBLY, 4AWG (260mm)	1
3	626124		ADAPTOR HARNESS ASSEMBLY	1
4	626118		ADAPTOR, 23 PIN TO 23 PIN	1
5	624611		WHITE WIRE ASSEMBLY, 10AWG (400mm)	1
6	645964		HEAT SHIELD	1
7	623213		CONTROLLER BRACKET, RH	1
8	623170		CONTROLLER BRACKET, LH	1.
9	619001		RESISTOR, .86 OHM RATING.....	1
10	614898		SPLICE, 2 OR 3 WIRE	2
11	608290		SELF TAPPING SCREW, #10 - 16 X .780" LG	2
12	607707		WHITE WIRE ASSEMBLY, 10AWG.....	1
13	606264		HEX FLANGED BOLT, M6 - 1 X 20mm LG	4
14	605957		BOSS SCREW, M8	2
15	73876G01		FLANGED BOLT, M6 - 1.00 X 12mm LG.....	6
16	628906		HEX FLANGED BOLT, #10 - 24 X 3/4" LG	2
17	14390G10		LOCK NUT, #10 - 24.....	2
18	00614G4		PAN HEAD PHILLIPS SELF DRILLING SCREW, #8 - 18 X 1/2" LG	2
19	00571G2		FLAT WASHER, 5/16"	4
20	00565G8		LOCK WASHER, 5/16"	2

FRONT SUSPENSION



- 17** Front Suspension Assembly, Passenger Side includes items 18 - 32
- 26** Hub Assembly includes items 27 - 30
- 44** Strut Spindle Assembly, Passenger Side includes items 18 - 20, 22 - 32, 45



- 1** Front Suspension Assembly, Driver Side includes items 2 - 16
- 10** Hub Assembly includes items 11 - 14
- 42** Strut Spindle Assembly, Driver Side includes items 2 - 4, 6 - 16, 43

FRONT SUSPENSION

When ordering parts, please specify the model and serial number of the product.

* Indicates a component that is not available as an individual part.

*** Indicates consult Customer Service Department for additional information.

ITEM	PART NO.	1 2 3 4 5	DESCRIPTION	QTY.
1	620671		SHOCK ABSORBER ASSEMBLY, DRIVER SIDE (INCLUDES ITEMS 2 - 16)	1
2	601413		SPINDLE ASSEMBLY, DRIVER SIDE.....	1
3	632925		FLANGED BUSHING, 25MM, DP4.....	1
4	632926		BUSHING, 25MM, DP4.....	1
5	601246		STRUT ASSEMBLY, DRIVER SIDE	1
6	614034		KINGPIN TUBE	1
7	601920		THRUST WASHER (SS), 2.5MM	1
8	620380		KINGPIN, HEX HEAD FLANGE BOLT, M12 - 1.25 X 145MM LG	1
9	600549		HEX FLANGE NUT, M12 - 1.25.....	1
10	609603		HUB ASSEMBLY (INCLUDES ITEMS 11 - 14)	1
11	19862G1		WHEEL STUD.....	4
12	602340		HUB CAST & MACH	1
13	602341		BALL BEARING 47 X 20 X 14	2
14	602342		TUBE BEARING SPACER.....	1
15	615109		LOCK NUT, M16 - 2.....	1
16	12091G2		SPINDLE CAP	1
17	620672		SHOCK ABSORBER ASSEMBLY, PASSENGER SIDE (INCLUDES ITEMS 18 - 32)	1
18	610802		SPINDLE ASSEMBLY, PASSENGER SIDE	1
19	632925		FLANGED BUSHING, 25MM, DP4.....	1
20	632926		BUSHING, 25MM, DP4.....	1
21	603024		STRUT ASSEMBLY, PASSENGER SIDE	1
22	614034		KINGPIN TUBE	1
23	601920		THRUST WASHER (SS), 2.5MM	1
24	620380		KINGPIN, HEX HEAD FLANGE BOLT, M12 - 1.25 X 145MM LG	1
25	600549		HEX FLANGE NUT, M12 - 1.25.....	1
26	609603		HUB ASSEMBLY (INCLUDES ITEMS 27 - 30)	1
27	19862G1		WHEEL STUD.....	4
28	602340		HUB CAST & MACH	1
29	602341		BALL BEARING, 47 X 20 X 14.....	2
30	602342		TUBE BEARING SPACER.....	1

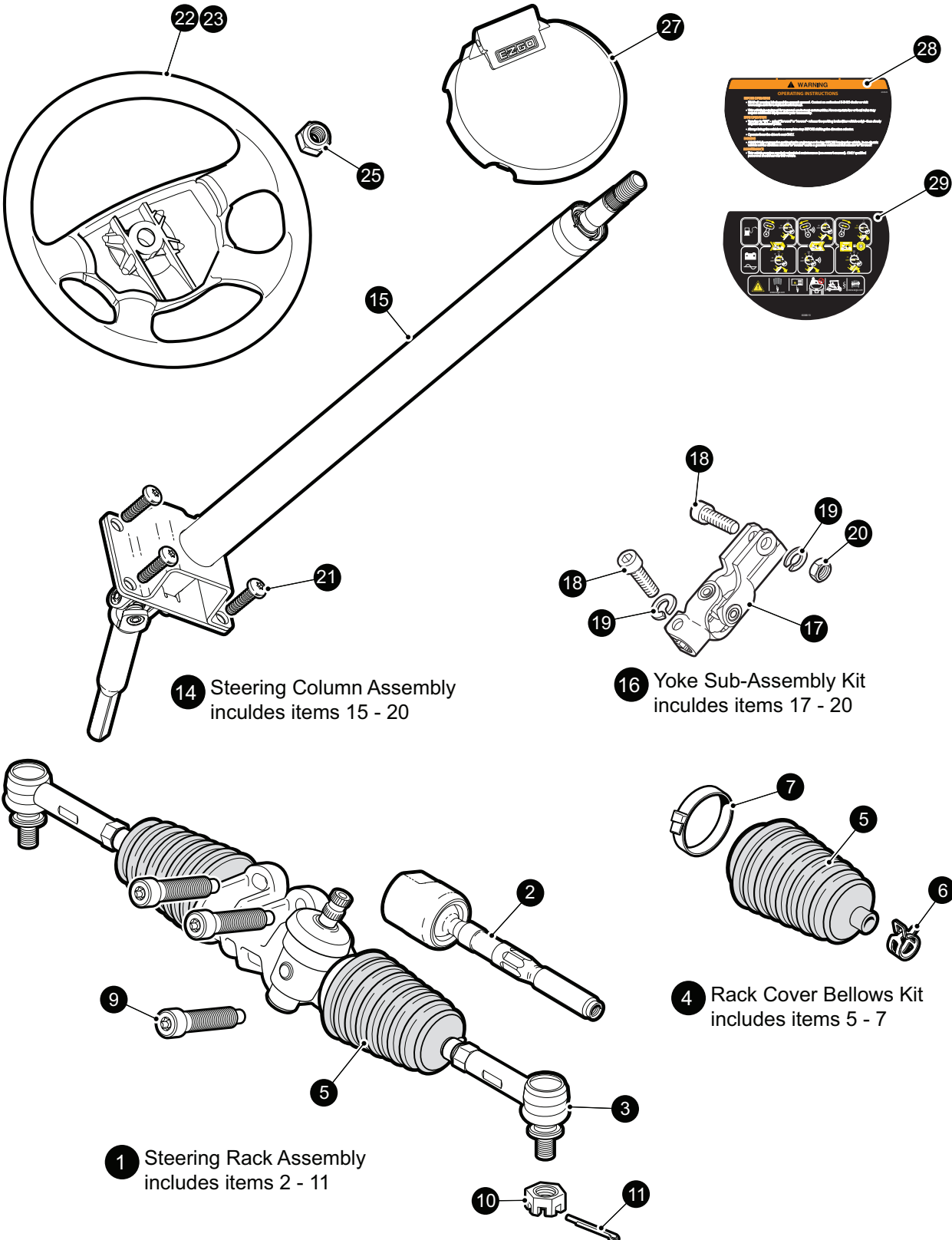
FRONT SUSPENSION

When ordering parts, please specify the model and serial number of the product.

* Indicates a component that is not available as an individual part.

*** Indicates consult Customer Service Department for additional information.

ITEM	PART NO.	1 2 3 4 5	DESCRIPTION	QTY.
31	615109		LOCK NUT, M16 - 2	1
32	12091G2		SPINDLE CAP	1
33	602415		HEX HEAD FLANGE BOLT, M10 - 1.5 X 80	2
34	600525		LOCK NUT, M10 - 1.5.....	2
35				
36	608089		A-ARM ASSEMBLY	2
37	601340		A-ARM BUSHING.....	4
38	602085		A-ARM CARRIER TUBE	2
39	601754		HEX HEAD FLANGE BOLT, M10 - 1.5 X 90	2
40	600525		LOCK NUT, M10 - 1.5.....	6
41	602415		HEX HEAD FLANGE BOLT, M10 - 1.5 X 80	4
42	638947		STRUT SPINDLE ASSEMBLY, DRIVER SIDE (INCLUDES ITEMS 2 - 4, 6 - 16, 43)	1
43	639431		STRUT ASSEMBLY, DRIVER SIDE	1
44	638948		STRUT SPINDLE ASSEMBLY, PASSENGER SIDE (INCLUDES ITEMS 18 - 20, 22 - 32, 45)	1
45	639432		STRUT ASSEMBLY, PASSENGER SIDE	1



14 Steering Column Assembly
includes items 15 - 20

16 Yoke Sub-Assembly Kit
includes items 17 - 20

1 Steering Rack Assembly
includes items 2 - 11

4 Rack Cover Bellows Kit
includes items 5 - 7

FRONT SUSPENSION

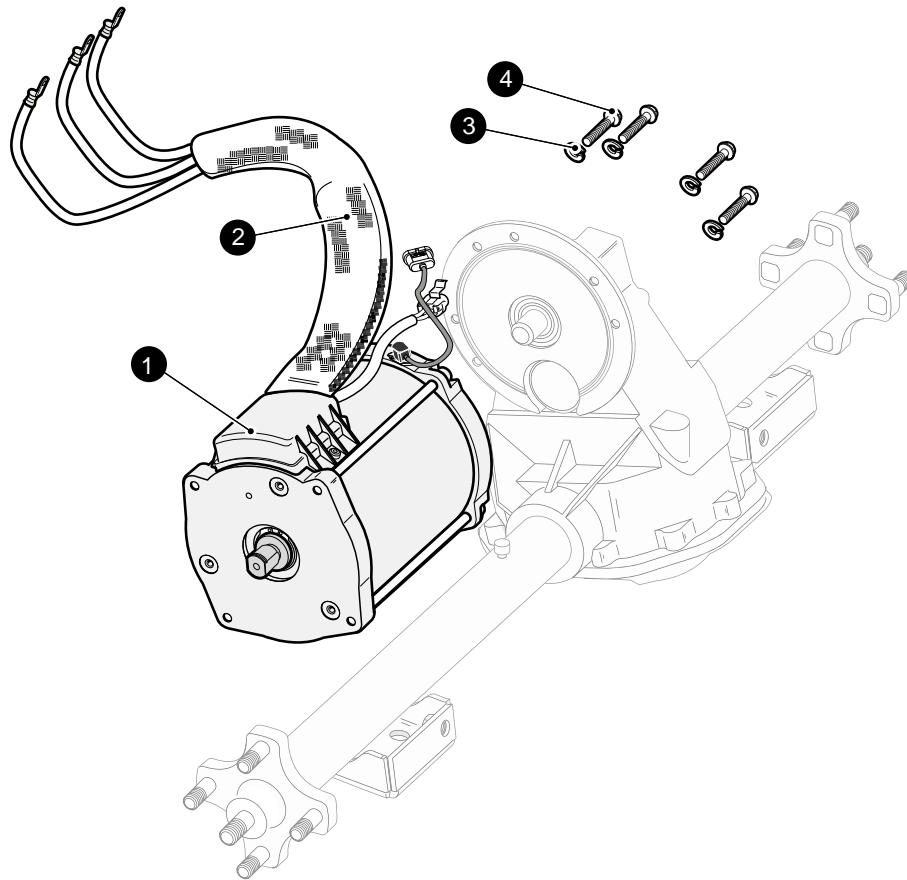
When ordering parts, please specify the model and serial number of the product.

* Indicates a component that is not available as an individual part.

*** Indicates consult Customer Service Department for additional information.

ITEM	PART NO.	1	2	3	4	5	DESCRIPTION	QTY.
1	618329						STEERING RACK ASSEMBLY (INCLUDES ITEMS 2 - 11).....	1
2	603865						STEERING ROD.....	2
3	604614						ROD END.....	2
4	604615						RACK COVER BELLOWS KIT (INCLUDES ITEMS 5 - 7).....	2
5	608112						BELLOWS.....	1
6	608108						BELLOWS CLAMP (small end).....	1
7	608109						BELLOWS CLIP (large end).....	1
8								
9	602020						TORX SOCKET HEAD CAP SCREW, M10 - 1.5 X 80.....	3
10	608005						CASTLE HEX NUT, M12 - 1.25.....	2
11	10387G2						COTTER PIN.....	2
12								
13								
14	600333						STEERING COLUMN ASSEMBLY (INCLUDES ITEMS 15 - 20).....	1
15	608117						STEERING COLUMN SUB ASSEMBLY.....	1
16	604613						YOKE SUB ASSEMBLY KIT (INCLUDES ITEMS 17 - 20).....	1
17	608114						STEERING YOKE.....	1
18	608653						SOCKET HEAD BOLT, M10 - 1.5 X 35MM LG.....	2
19	608654						LOCK WASHER, M10.5.....	2
20	608655						HEX NUT, M10 - 1.5.....	1
21	602572						PAN HEAD TORX SCREW, TAPTITE M10 - 1.5 X 25MM LG.....	4
22	602980						STEERING WHEEL, PREMIUM (OPTIONAL).....	1
23	602979						STEERING WHEEL, FLEET.....	1
24								
25	601709						LOCK NUT, M16 - 2.....	1
26								
27	607925						SCORECARD HOLDER ASSEMBLY.....	1
28	608529						STEERING WHEEL WARNING LABEL.....	1
29	608819						STEERING WHEEL WARNING LABEL, CE.....	1

MOTOR



When ordering parts, please specify the model and serial number of the product.

* Indicates a component that is not available as an individual part.

*** Indicates consult Customer Service Department for additional information.

ITEM	PART NO.	1 2 3 4 5	DESCRIPTION	QTY.
1	611355		48V AC ELECTRIC MOTOR.....	1
2	605714		FLEXLOOM SLEEVE.....	1
3	601327		LOCK WASHER, M6.....	6
4	605741		HEX HEAD BOLT, M6 - 1 X 25 (grade 10.9).....	6
5	17618G1		NYLON CLAMP (NOT ILLUSTRATED)	1
6	27327G02		TWISTED CLAMP (NOT ILLUSTRATED)	1
7	32372G6		VINYL TRIM, 6.25" (NOT ILLUSTRATED).....	1

When ordering parts, please specify the model and serial number of the product.

* Indicates a component that is not available as an individual part.

*** Indicates consult Customer Service Department for additional information.

ITEM	PART NO.	1 2 3 4 5	DESCRIPTION	QTY.
1	630901		LIGHT DUTY ELECTRIC AXLE ASSEMBLY 16.99:1 (INCLUDES ITEMS 2 - 55)	1
2	604112		REAR AXLE HUB	2
3	19862G2		WHEEL BOLT, 1/2" - 20 X 1.72" LG	8
4	612928		CASTLE HEX NUT, 5/8" - 18	2
5	10387G1		COTTER PIN, 0.125" DIA X 1.50"	2
6	15487G1		BRAKE DRUM WASHER, .64" I. D. X 1.34" O. D.	2
7				
8				
9	630902		LIGHT DUTY ELECTRIC AXLE, 16.99:1 (INCLUDES ITEMS 10 - 55) ...	1
10	***		AXLE HOUSING	1
11	15118G1		FLANGED HEX HEAD BOLT, 3/8" - 16 X 2.12" LG	4
12	618650		AXLE BRACKET LOCATING PIN	
13				
14	620329		INPUT GEAR KIT (INCLUDES ITEMS 15 - 20)	1
15	620327		INPUT GEAR	1
16	620328		OIL SEAL	1
17	23530G1		RETAINING RING, 1" DIA	1
18	24628G1		O - RING SEAL, 1.8" I. D.	1
19	23519G2		BALL BEARING, 0.984" I. D X 1.85" O.D.	1
20	23520G1		BALL BEARING, 0.669" I. D X 1.97" O. D.	1
21				
22	620361		INTERNAL GEARS KIT (INCLUDES ITEMS 15, 23 & 24)	1
23	620349		INTERMEDIATE GEAR ASSEMBLY	1
24	620350		DRIVE GEAR	1
25				
26	620362		BALL BEARING KIT (INCLUDES ITEMS 19, 20 & 27 - 29)	1
27	620340		BALL BEARING	1
28	17473G1		DIFFERENTIAL BEARING ASSEMBLY	2
29	620355		BALL BEARING	1
30				

REAR AXLE

When ordering parts, please specify the model and serial number of the product.

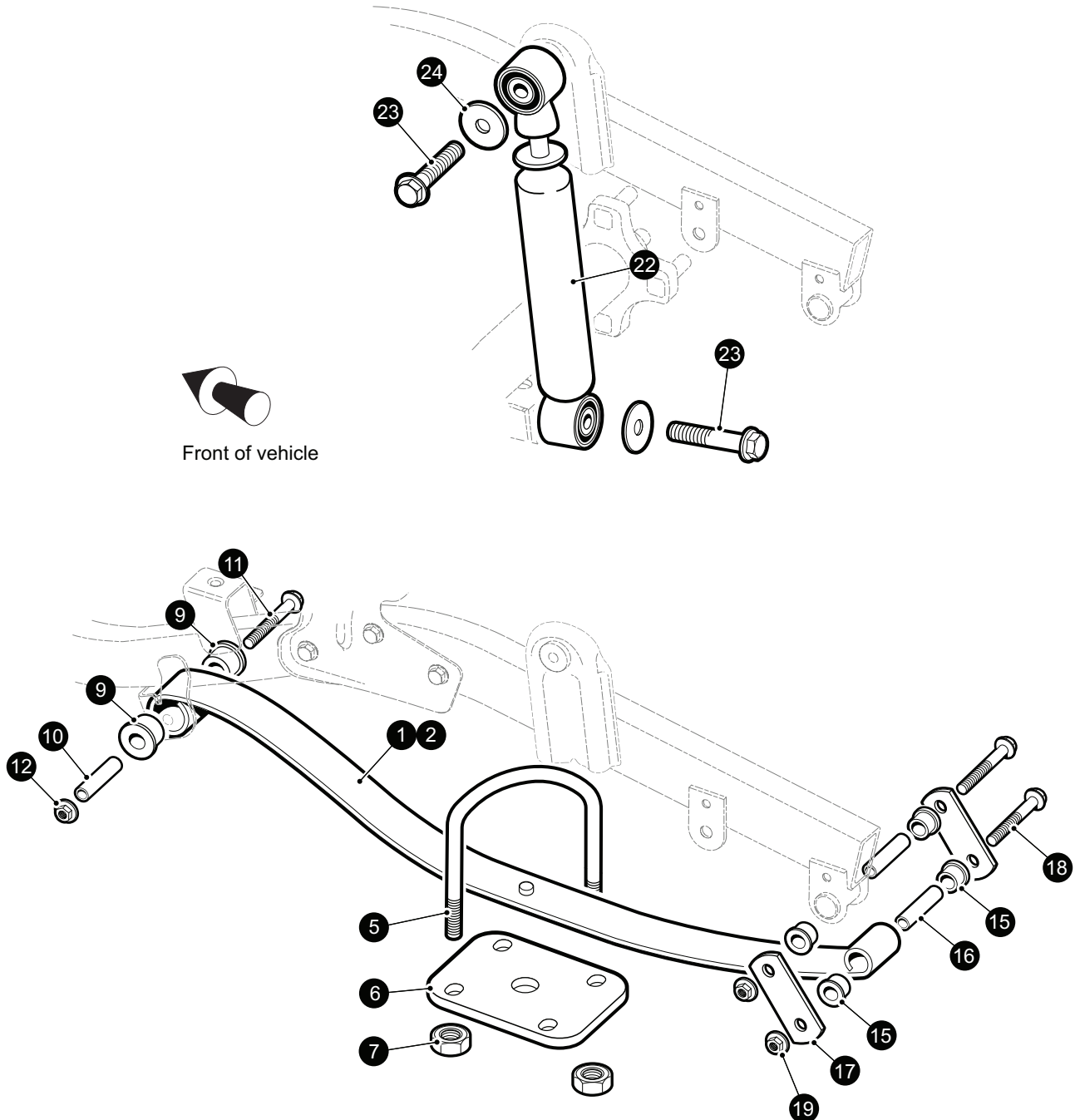
* Indicates a component that is not available as an individual part.

*** Indicates consult Customer Service Department for additional information.

ITEM	PART NO.	1	2	3	4	5	DESCRIPTION	QTY.
31	620363						DIFFERENTIAL COVER ASSY KIT (INCLUDES ITEMS 32 & 33)	1
32	620347						RUBBER PLUG	1
33	620348						DIFERENTIAL COVER PLATE	1
34								
35								
36	608811						END CAP PLUG	2
37	614208						AXLE SHAFT, DRIVER SIDE (LONG)	1
38	614209						AXLE SHAFT, PASSENGER SIDE (SHORT).....	1
39	620342						RETAINING RING	4
40	620343						BALL BEARING.....	2
41	620344						OIL SEAL.....	2
42	620345						O - RING.....	2
43								
44	614059						CARRIER LSD W/CC CLUTCHES	1
45	601084						LOCK NUT, 3/8" - 24	4
46	620335						FLANGED HEX HEAD BOLT, 3/8" - 24 X 1.25" LG.....	4
47	620346						SELF TAPPING FLANGED HEX HEAD BOLT, 5/16" - 18 X 0.75" LG.....	10
48								
49	620357						AXLE VENT	1
50	620358						O - RING.....	2
51	620359						RETAINING RING	2
52								
53	611242						FRICITION MODIFIER, STURACO	AR
54	614210						FRICITION MODIFIER, LUBRIZOL	AR
55	603967						MOBILE LUBE GEAR (NOT ILLUSTRATED)	AR

REAR SUSPENSION

For models manufactured before 5th March 2013



REAR SUSPENSION

When ordering parts, please specify the model and serial number of the product.

* Indicates a component that is not available as an individual part.

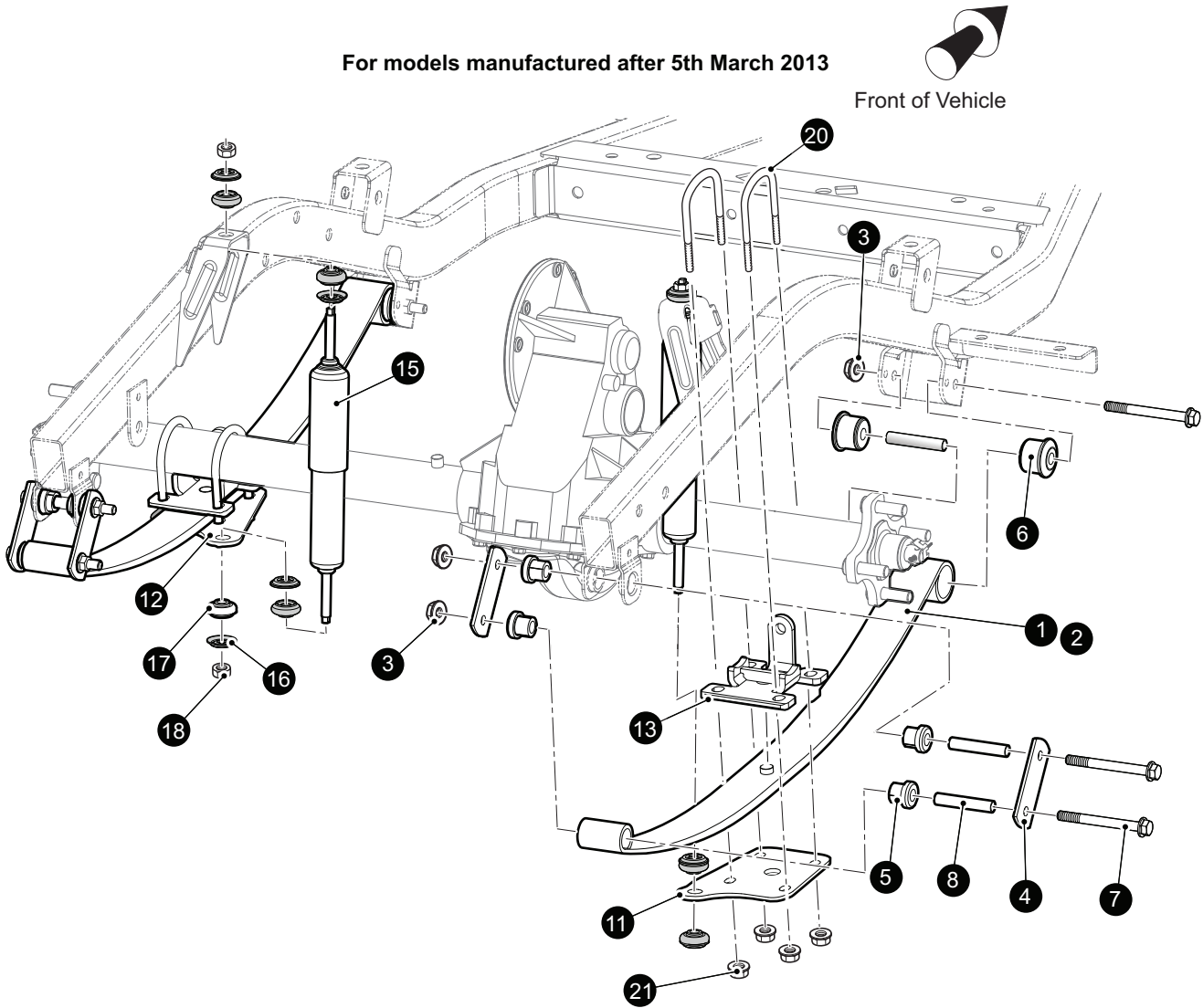
*** Indicates consult Customer Service Department for additional information.

ITEM	PART NO.	1 2 3 4 5	DESCRIPTION	QTY.
1	611713		TAPERED LEAF SPRING.....	2
2	604494		HEAVY DUT TAPERED LEAF SPRING	2
3				
4				
5	603415		U-BOLT, M10 - 1.5 X 115.6 MM LG	2
6	612765		LEAF SPRING PLATE	2
7	614974		LOCK NUT, M10 - 1.5	4
8				
9	620160		FLANGED BUSHING (LARGE)	4
10	620161		SPLIT STEEL SPACER, .394" I. D. X .51" O. D. X 2.65" LG.....	2
11	601754		FLANGED HEX HEAD BOLT, M10 - 1.5 X 100 MM LG.....	2
12	614974		LOCK NUT, M10 - 1.5	2
13				
14				
15	624030		FLANGED BUSHING (SMALL).....	8
16	620161		SPLIT STEEL SPACER, .394" I. D. X .51" O. D. X 2.65" LG.....	4
17	603648		SHACKLE PLATE	4
18	601754		FLANGED HEX HEAD BOLT, M10 - 1.5 X 100 MM LG.....	4
19	614974		LOCK NUT, M10 - 1.5	4
20				
21				
22	611724		SHOCK ABSORBER	2
23	601414		FLANGED HEX HEAD BOLT, M10 - 1.5 X 65 MM LG.....	4
24	604066		FLAT WASHER, M10 - 32.....	4

REAR SUSPENSION

For models manufactured after 5th March 2013

Front of Vehicle



REAR SUSPENSION

When ordering parts, please specify the model and serial number of the product.

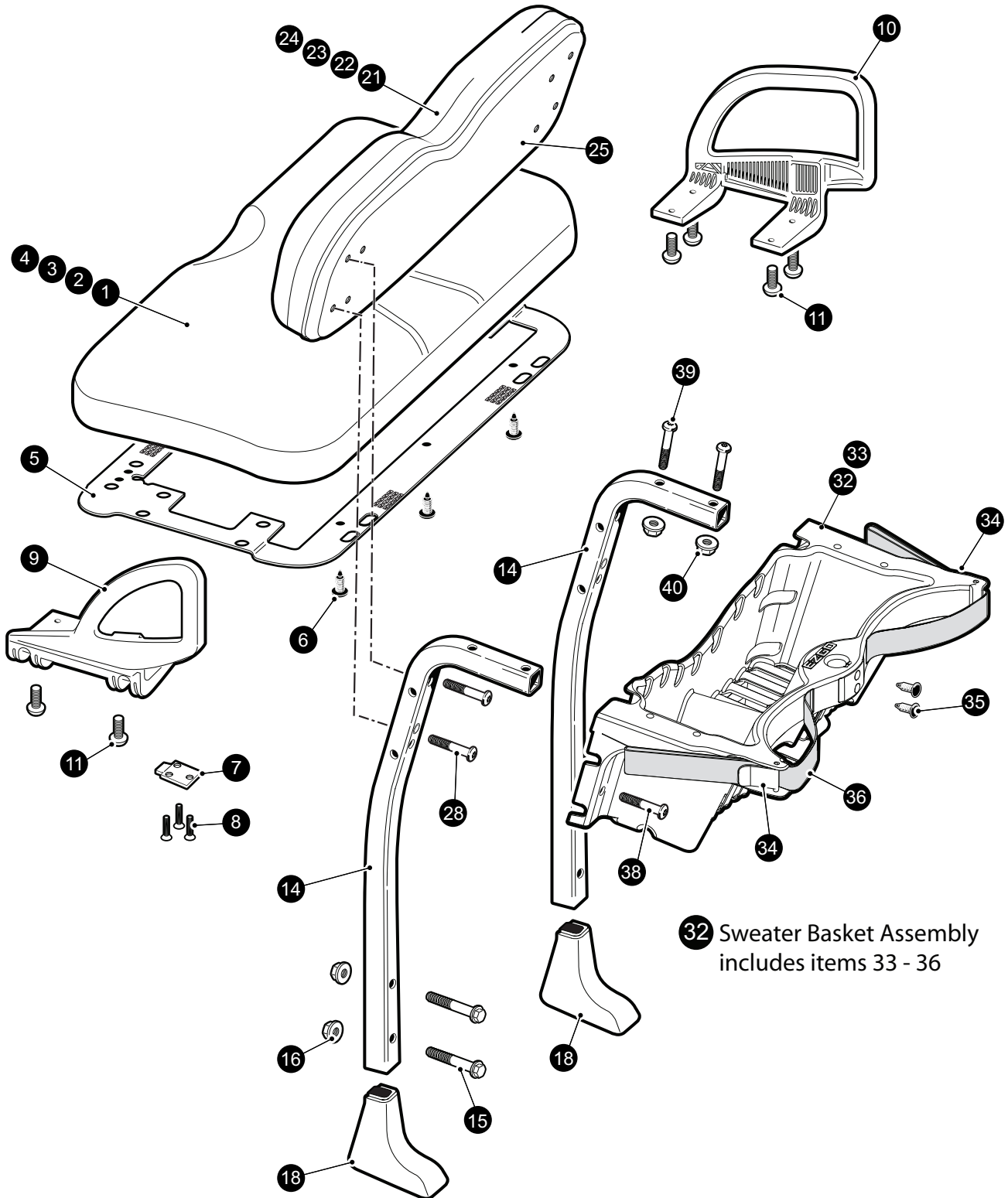
* Indicates a component that is not available as an individual part.

*** Indicates consult Customer Service Department for additional information.

ITEM	PART NO.	1 2 3 4 5	DESCRIPTION	QTY.
1	625709		MID DUTY TAPERED LEAF SPRING	2
2	604494		HEAVY DUTY TAPERED LEAF SPRING	2
3	614974		LOCK NUT, M10 - 1.5	6
4	603648		SHACKLE PLATE	4
5	624030		FLANGED BUSHING (SMALL).....	8
6	620160		FLANGED BUSHING (LARGE)	4
7	601754		FLANGED HEX HEAD BOLT, M10 - 1.5 X 100 MM LG.....	6
8	620161		SPLIT STEEL SPACER, .394" I. D. X .51" O. D. X 2.65" LG.....	6
9				
10				
11	625658		SHOCK MOUNT PLATE (PASSENGER SIDE)	1
12	625657		SHOCK MOUNT PLATE (DRIVER SIDE).....	1
13	626422		AXLE SUPPORT BRACKET.....	2
14				
15	76418G01		SHOCK ABSORBER	2
16	10435G1		SHOCK ABSORBER WASHER.....	8
17	10194G1		SHOCK RUBBER BUSHING	8
18	00532G6		HEX NUT, 1/4" - 20	4
19				
20	632103		U-BOLT, 68 MM DIA X 45 MM X 110 MM LG	4
21	600525		PLASTIC LOCK NUT, M10 - 1.5	8

SEATING & BASKET

- 1 Seat Bottom Assembly includes items 2 - 11
- 21 Seat Back Assembly includes items 22 - 26



- 32 Sweater Basket Assembly includes items 33 - 36

SEATING & BASKET

When ordering parts, please specify the model and serial number of the product.

* Indicates a component that is not available as an individual part.

*** Indicates consult Customer Service Department for additional information.

ITEM	PART NO.	1 2 3 4 5	DESCRIPTION	QTY.
1	***		SEAT BOTTOM ASSEMBLY (select color below), (includes items 2 - 11) 629269G1002.....STONE BEIGE SEAT BOTTOM 629269G1001.....OYSTER SEAT BOTTOM 629269G1006.....BLACK SEAT BOTTOM	1
2	***		SEAT BOTTOM VINYL COVER (select color below) 600221.....STONE BEIGE SEAT BOTTOM VINYL COVER 608007.....OYSTER SEAT BOTTOM VINYL COVER 615169.....BLACK SEAT BOTTOM VINYL COVER	1
3	605503		SEAT BOTTOM FOAM.....	1
4	605502		SEAT BOTTOM WOODEN BASE ASSEMBLY.....	1
5	602551		SEAT BOTTOM COVER PLATE	1
6	16816G2		RATCHET RIVET, .25" X .887"	4
7	71610G01		SEAT HINGE	2
8	00720G08		FLAT HEAD PHILLIPS TAPPING SCREW, #12 - 14 X 1" LG	6
9	617645		HIP RESTRAINT (DRIVER SIDE).....	1
10	617644		HIP RESTRAINT (PASSENGER SIDE)	1
11	600530		BUTTON HEAD TORX BOLT, M10 - 1.5 X 25 MM LG.....	8
12				
13				
14	602413		SEAT BACK SUPPORT STRUT.....	2
15	603800		FLANGED HEX HEAD BOLT, M10 - 1.5 X 50 MM LG.....	4
16	600525		LOCK NUT, M10 - 1.5	4
17				
18	645088		SEAT BACK SUPPORT STRUT COVER.....	2
19				
20				
21	***		SEAT BACK ASSEMBLY (select color below), (includes items 22 - 26)..... 605548....STONE BEIGE SEAT BACK ASSEMBLY 608012....OYSTER SEAT BACK ASSEMBLY 615133....BLACK SEAT BACK ASSEMBLY	1
22	***		SEAT BACK VINYL COVER (select color below)..... 605537....STONE BEIGE SEAT BACK VINYL COVER 608066....OYSTER SEAT BACK VINYL COVER 615132....BLACK SEAT BACK VINYL COVER	1
23	71754G01		SEAT BACK FOAM	1

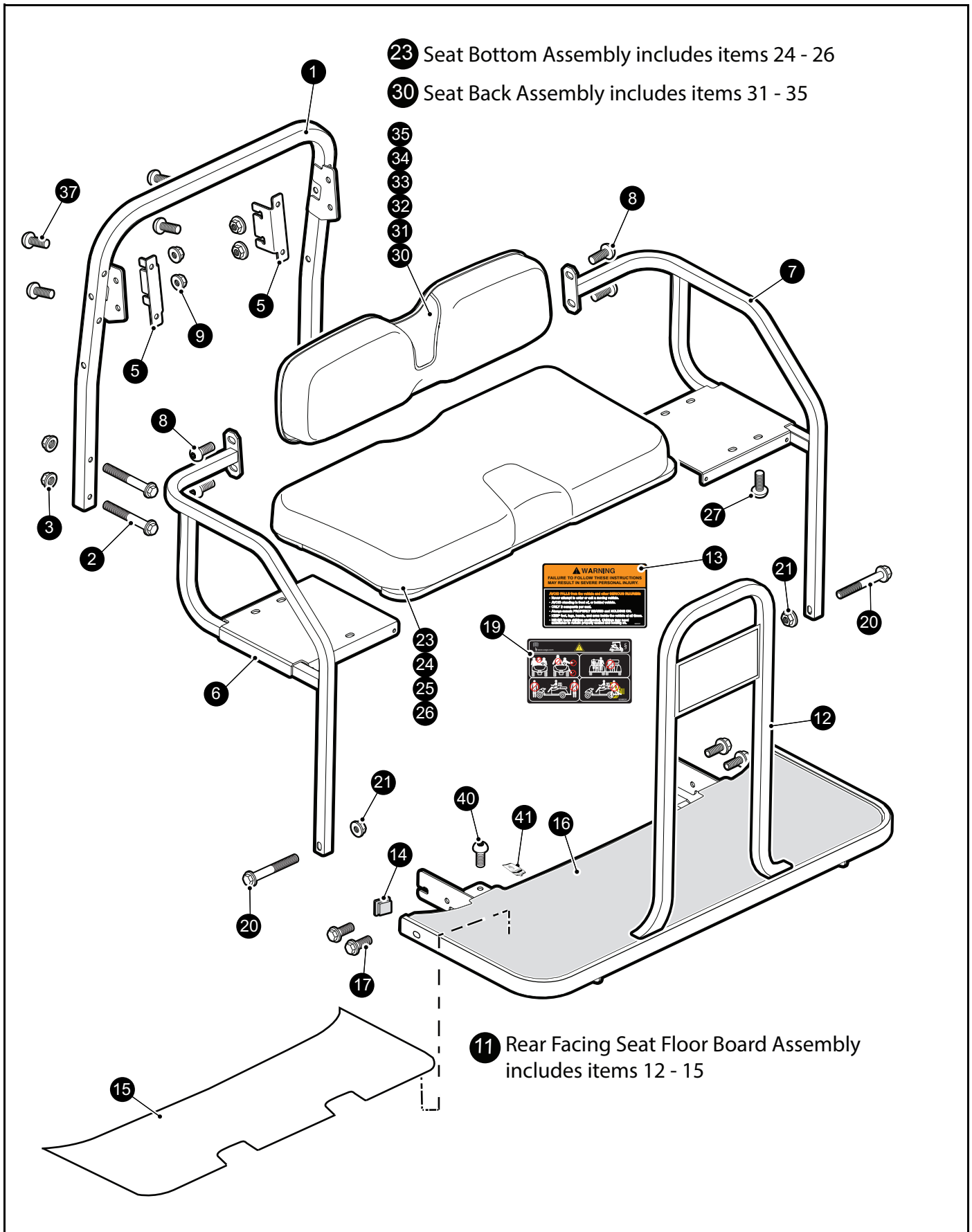
SEATING & BASKET

When ordering parts, please specify the model and serial number of the product.

* Indicates a component that is not available as an individual part.

*** Indicates consult Customer Service Department for additional information.

ITEM	PART NO.	1	2	3	4	5	DESCRIPTION	QTY.
24	605550						SEAT BACK WOODEN BASE ASSEMBLY	1
25	605529						SEAT BACK BLACK PLASTIC COVER.....	1
26	23222G1						FLAT STAPLE (SS), 3/8" (NOT ILLUSTRATED)	AR
27								
28	600527						BUTTON HEAD TORX BOLT, M10 - 1.5 X 60 MM LG.....	4
29								
30								
31								
32	602742						SWEATER BASKET ASSEMBLY (includes items 33 - 36)	1
33	610607						SWEATER BASKET	1
34	608051						BAG STRAP CLAMP	2
35	16816G1						CHRISTMAS TREE RIVET	2
36	604102						BAG STRAP.....	1
37								
38	600530						BUTTON HEAD TORX BOLT, M10 - 1.5 X 25 MM LG.....	2
39	600527						BUTTON HEAD TORX BOLT, M10 - 1.5 X 60 MM LG.....	4
40	600525						LOCK NUT, M10 - 1.5.....	4



SEATING & BASKET

When ordering parts, please specify the model and serial number of the product.

* Indicates a component that is not available as an individual part.

*** Indicates consult Customer Service Department for additional information.

ITEM	PART NO.	1 2 3 4 5	DESCRIPTION	QTY.
1	604473		SEAT BACK SUPPORT, 2 + 2 SEAT	1
2	603800		HEX HEAD FLANGED BOLT, M10 - 1.5 X 50 MM LG	4
3	600525		LOCK NUT, M10 - 1.5.....	4
4				
5	606286		REAR SEAT BACK MOUNTING BRACKET	2
6	604723		ARM REST, DRIVER SIDE	1
7	604725		ARM REST, PASSENGER SIDE	1
8	600530		BUTTON HEAD TORX BOLT, M10 - 1.5 X 25 MM LG	4
9	600525		LOCK NUT, M10 - 1.5.....	4
10				
11	604457		REAR FACING SEAT FLOORBOARD ASSEMBLY (includes items 12 - 15) .	1
12	611116		FOOTREST WELDMENT	1
13	608537		REAR FACING SEAT WARNING DECAL	1
14	19853G1		END CAP	2
15	640653		FOOTREST GRIPTAPE.....	1
16	604407		RUBBER FLOORMAT	1
17	603799		HEX HEAD FLANGED BOLT, M10 - 1.5 X 25 MM LG	4
18				
19	608820		2 + 2 WARNING DECAL, CE	1
20	602415		HEX HEAD FLANGED BOLT, M10 - 1.5 X 80 MM LG	2
21	600525		LOCK NUT, M10 - 1.5.....	2
22				
23	***		SEAT BOTTOM ASSEMBLY (select color below) (includes items 24 - 26)..... 605501..... STONE BEIGE SEAT BOTTOM ASSEMBLY 608010..... OYSTER SEAT BOTTOM ASSEMBLY	1
24	***		SEAT BOTTOM VINYL COVER (select color below)	1
			600221..... STONE BEIGE SEAT BOTTOM VINYL COVER 608007..... OYSTER SEAT BOTTOM VINYL COVER	
25	605503		SEAT BOTTOM FOAM	1
26	605502		SEAT BOTTOM WOODEN BASE ASSEMBLY	1
27	603799		HEX HEAD FLANGED BOLT, M10 - 1.5 X 25 MM LG	4
28				

SEATING & BASKET

When ordering parts, please specify the model and serial number of the product.

* Indicates a component that is not available as an individual part.

*** Indicates consult Customer Service Department for additional information.

ITEM	PART NO.	1 2 3 4 5	DESCRIPTION	QTY.
29				
30	***		SEAT BACK ASSEMBLY (select color below)	1
			605548 STONE BEIGE SEAT BACK ASSEMBLY	
			608012 OYSTER SEAT BACK ASSEMBLY	
31	***		SEAT BACK VINYL COVER (select color below).....	1
			605537 STONE BEIGE SEAT BACK VINYL COVER	
			608006 OYSTER SEAT BACK VINYL COVER	
32	71754G01		SEAT BACK FOAM	1
33	605550		SEAT BACK WOODEN BASE ASSEMBLY	1
34	605529		SEAT BACK BLACK PLASTIC COVER	1
35	603000		BUTTON HEAD TORX SCREW, M6 - 15.....	4
36				
37	600530		BUTTON HEAD TORX BOLT, M101 - 1.5 X 25 MM LG	2
38				
39				
40	600530		BUTTON HEAD TORX BOLT, M10 - 1.5 X 25	2
41	603818		BARREL CLIP, M10 - 1.5.....	2

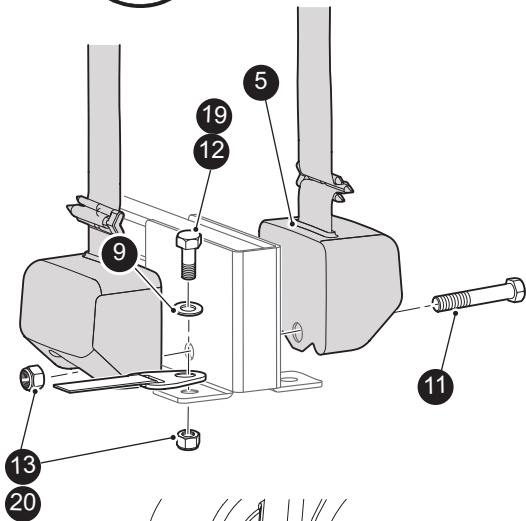
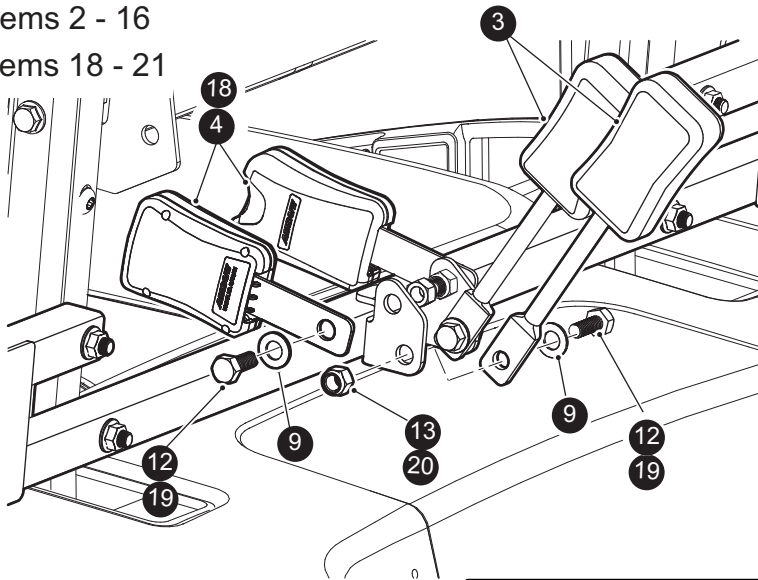
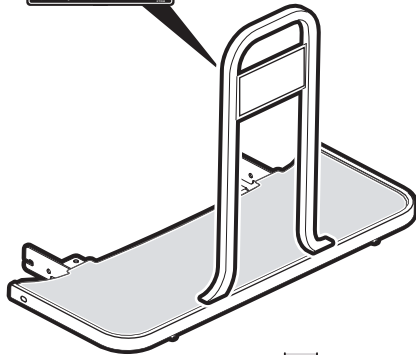
SEATING & BASKET

1 Seat belt assembly kit includes items 2 - 16

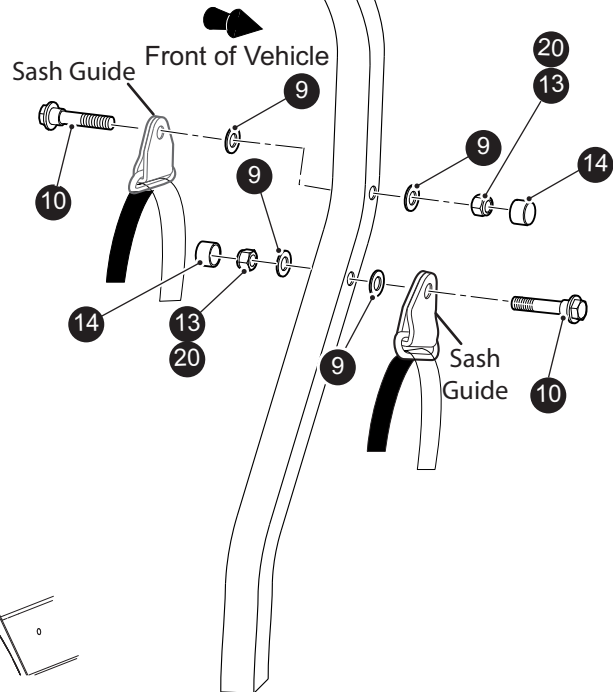
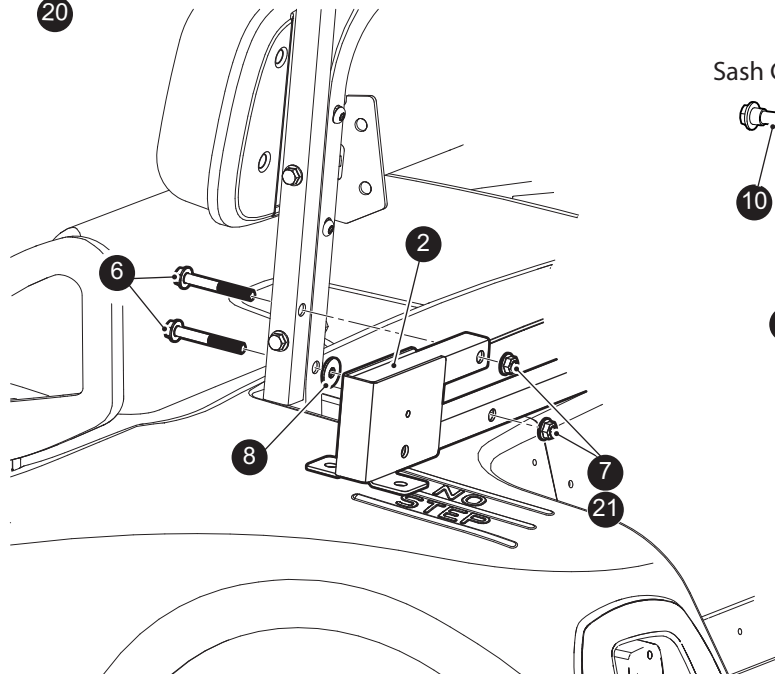
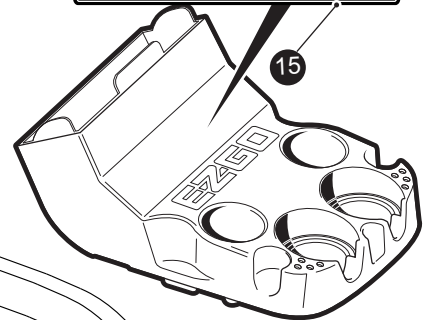
17 Seat belt assembly kit includes items 18 - 21

16

WARNING
FAILURE TO FOLLOW THESE INSTRUCTIONS
MAY RESULT IN DEATH OR SERIOUS INJURY.



WARNING Failure to follow these instructions can result in DEATH or SERIOUS INJURY.



SEATING & BASKET

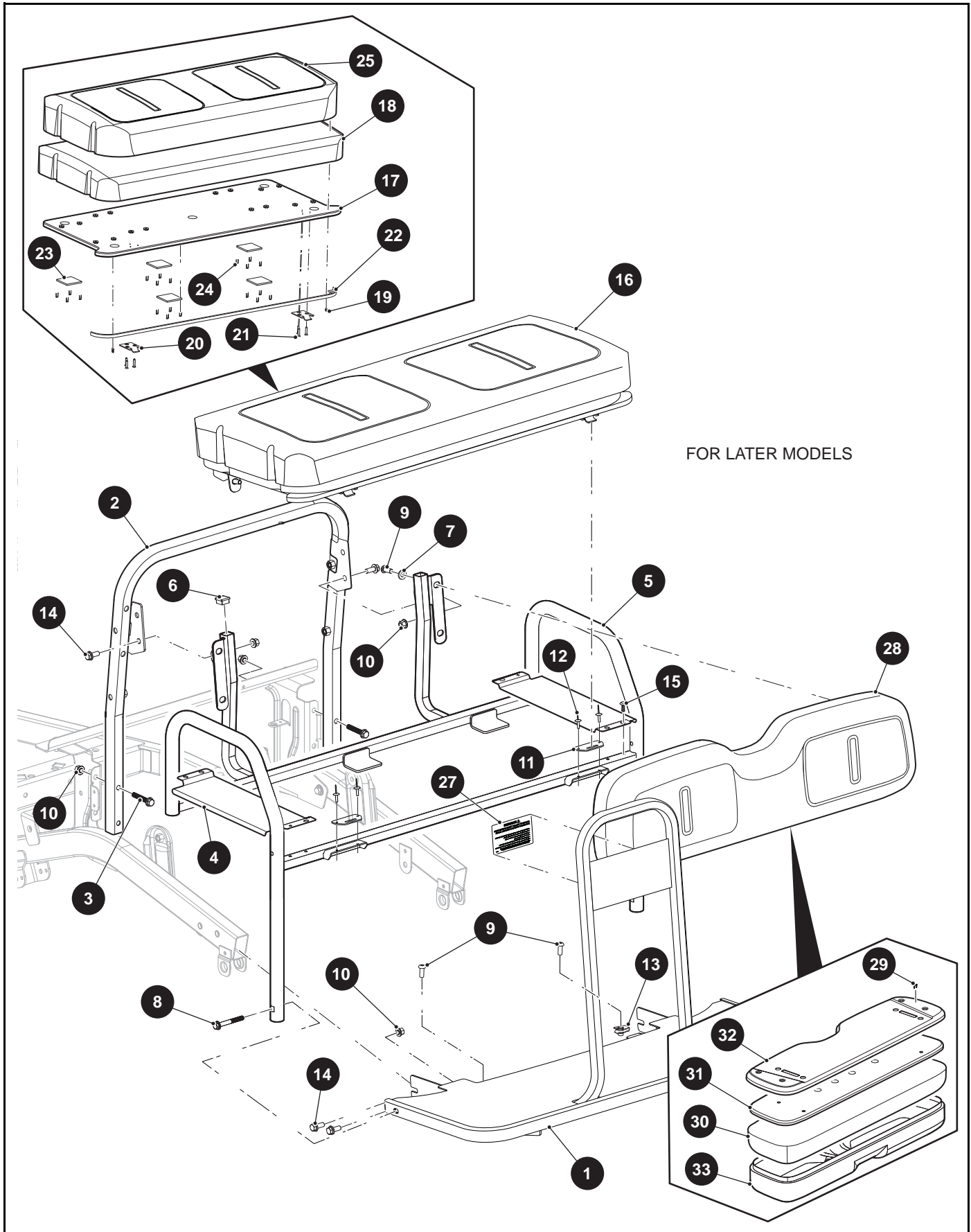
When ordering parts, please specify the model and serial number of the product.

* Indicates a component that is not available as an individual part.

*** Indicates consult Customer Service Department for additional information.

ITEM	PART NO.	1 2 3 4 5	DESCRIPTION	QTY.
1	620704		SEAT BELT ASSEMBLY KIT (includes items 2 - 16)	1
2	610739		SEAT BELT CROSS BAR.....	1
3	609031		SEAT BELT BUCKLE, 9"	2
4	609854		SEAT BELT BUCKLE, 6"	2
5	611254		SEAT BELT RETRACTOR ASSEMBLY	4
6	602415		FLANGED HEX HEAD BOLT, M10 - 1.5 X 80 MM	4
7	600525		FLANGED LOCK NUT, M10 - 1.5.....	4
8	604066		FLAT WASHER, M10	4
9	00560G2		FLAT WASHER, 3/8"	16
10	620770		HEX HEAD SHOULDER BOLT, 7/16" - 20 X 2.28" LG.....	4
11	612346		HEX HEAD BOLT, 7/16" - 20 X 2.50" LG.....	2
12	610753		HEX HEAD CAP SCREW, 7/16" - 20 X 1" LG.....	8
13	00734G3		LOCK NUT, 7/16" - 20	14
14	605686		VINYL CAP	4
15	612194		CUP HOLDER DECAL	1
16	611362		REAR FACING SEAT DECAL	1
17	613474		SEAT BELT ASSEMBLY KIT ((includes items 18 - 21)	1
18	609854		SEAT BELT BUCKLE, 6"	2
19	610753		HEX HEAD CAP SCREW, 7/16" - 20 X 1" LG.....	8
20	00734G3		LOCK NUT, 7/16" - 20	18
21	600525		FLANGED LOCK NUT, M10 - 1.5.....	4

REAR FACING SEAT - EXCEED MODEL



REAR FACING SEAT - EXCEED MODEL

When ordering parts, please specify the model and serial number of the product.

* Indicates a component that is not available as an individual part.

*** Indicates consult Customer Service Department for additional information.

ITEM	PART QN	1 2 3 4 5	DESCRIPTION	QTY.
1	604457		REAR FACING, FLOOR BOARD ASSEMBLY	1
2	604473		SEAT SUPPORT WELDMENT	1
3	603800		HEX HEAD, FLANGE BOLT, M10 - 1.5 X 50	4
4	612620		REAR FACING, CLOSE OUT ASSEMBLY	2
5	609023		REAR SEAT FRAME WELDMENT	1
6	19853G1		SQUARE TUBE CAP, 1"	2
7	603823		FLAT WASHER, M10 X 22 X 2.5 MM	4
8	602415		HEX FLANGE BOLT, M10 - 1.5 X 80	2
9	600530		BULK HEAD TORQUE BOLT, M10 - 1.5 X 25	6
10	600525		PULSE LOCK NUT, M10 - 1.5	8
11	71609G01		SEAT HINGE PLATE	2
12	10570G11		RIVET, 3/16" X .70 - TYPE B-SS	4
13	603818		BARREL CLIP, M10 - 1.5	2
14	603799		HEX HEAD FLANGE BOLT, M10 - 1.5 X 25	6
15	18436G1		PLASTIC, DRIVE RIVET	8
16	***		REAR FACING, SEAT BOTTOM (INCLUDES ITEMS 17 - 25)	1
			610678, OYSTER	
			609513, BEIGE	
17	76415G01		SEAT BOTTOM BASE ASSEMBLY	1
18	71625G01		SEAT BOTTOM FOAM PADDING	1
19	23222G1		FLAT STAPLE, 3/8"	AR
20	71610G01		SEAT HINGE	2
21	00720G08		FLAT TAPPING SCREW, #12 - 14 X 1.00	6
22	71012G01		SEAT BOTTOM TRIM	1
23	17074G1		SOILING SLAB	5
24	23223G1		FLAT STAPLE, 5/8"	AR
25	***		REAR FACING SEAT, VINYL COVER	1
			609515, BEIGE	
			71624G03, OYSTER	
26				
27	608537		REAR FACING SEAT, DECAL	1

REAR FACING SEAT - EXCEED MODEL

When ordering parts, please specify the model and serial number of the product.

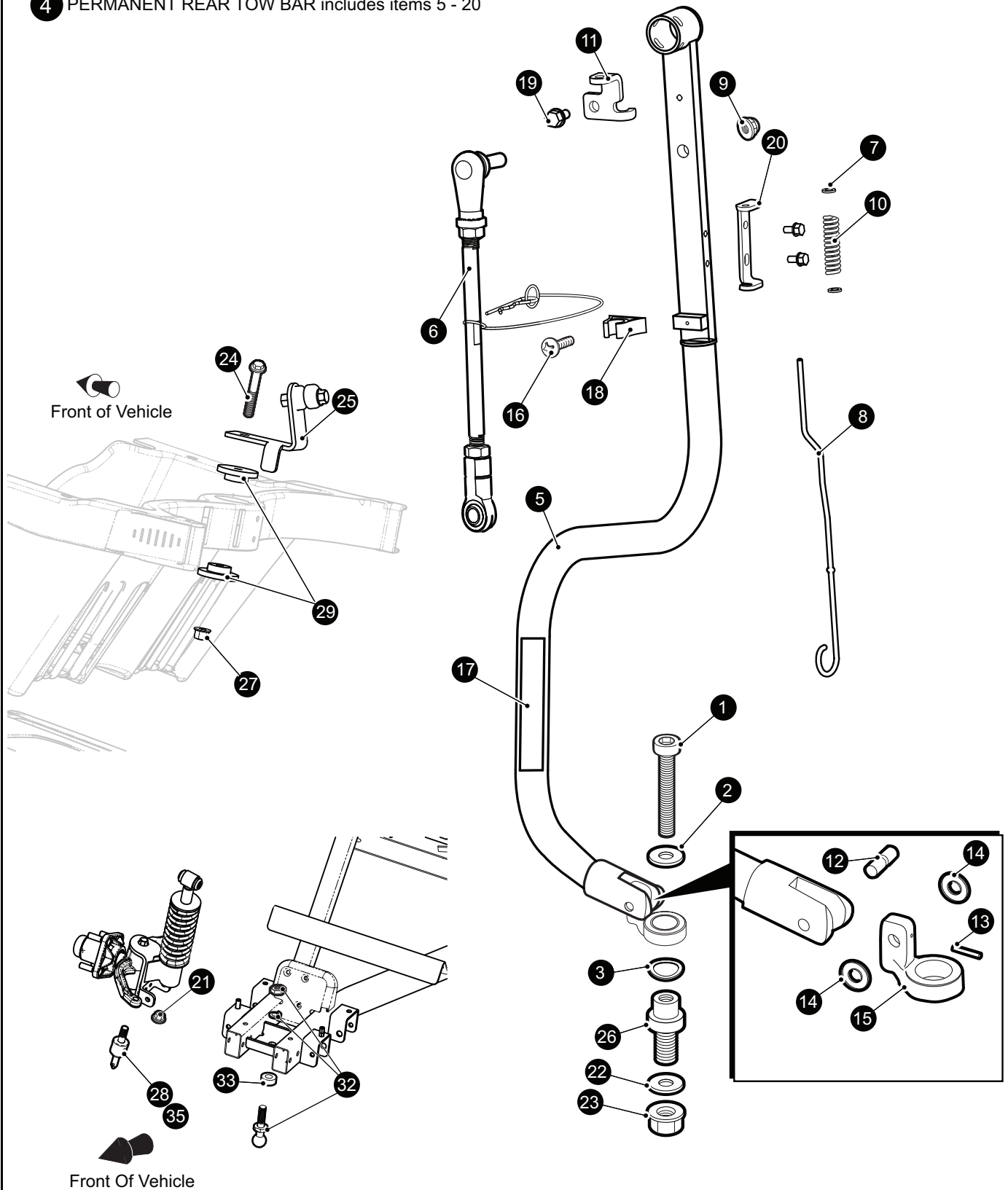
* Indicates a component that is not available as an individual part.

*** Indicates consult Customer Service Department for additional information.

ITEM	PART QN	1 2 3 4 5	DESCRIPTION	QTY.
28	***		SEAT BACK ASSEMBLY (INCLUDES ITEMS 29 - 33) 615573, BEIGE 615574, OYSTER	1
29	23222G1		FLAT STAPLE, 3/8"	AR
30	71754G01		SEAT BACK, FOAM PADDING.....	1
31	605550		SEAT BACK, WOOD BASE	1
32	605529		SEAT BACK, COVER	1
33	***		SEAT BACK, VINYL COVER..... 620914, BEIGE 71753G03, OYSTER	

TOW BAR

4 PERMANENT REAR TOW BAR includes items 5 - 20



When ordering parts, please specify the model and serial number of the product.

* Indicates a component that is not available as an individual part.

*** Indicates consult Customer Service Department for additional information.

ITEM	PART NO.	1 2 3 4 5	DESCRIPTION	QTY.
1	603384		SOCKET HEAD CAP SCREW, M12 - 1.25 X 100MM LG	1
2	603182		FLAT WASHER, M12, 13.5 X 32 X 3	1
3	603341		WAVY WASHER, 32MM	1
4	612392		PERMANENT TOW BAR (TOWING VEHICLE) (INCLUDES ITEMS 5 - 20)..	1
5	613224		TOW BAR WELDMENT	1
6	617752		TIE ROD ASSEMBLY	1
7	00559G5		FLAT WASHER, 1/2"	2
8	613215		TOW BAR PULL HANDLE	1
9	617787		FLANGED LOCK NUT, M12 - 1.75.....	1
10	75065G01		COMPRESSION SPRING	1
11	614893		FRONT PIN GUIDE	1
12	75360G01		PIVOT PIN.....	1
13	608793		SPIROL PIN, 3MM X 22MM	1
14	75340G01		DELFIN WASHER, M10 - 22MM.....	2
15	625458		TOW BAR SWIVEL	1
16	800178		PHILLIPS HEAD SCREW, #8 - 32 X 1/2" LG	1
17	624868		TOW BAR WARNING DECAL.....	1
18	614454		TIE ROD HOLDER.....	1
19	606265		HEX HEAD BOLT, M6 - 1 X12MM LG.....	3
20	614865		RETAINER RELEASE PIN.....	1
21	617787		FLANGED LOCK NUT, M12 - 1.75	1
22	603182		FLAT WASHER, M12, 13.5 X 32 X 3	1
23	600549		HEX NUT, M12 - 1.25.....	1
24	601414		HEX HEAD BOLT, M10 -1.5 X 65MM LG.....	1
25	625441		END MOUNT ASSEMBLY	1
26	602990		TOW BAR PIVOT.....	1
27	600525		HEX LOCK NUT, M10 - 1.5.....	1
28	614714		TIE ROD SPACER	1
29	615435		TOW BAR MOUNT SPACER, 51MM.....	2
30				
31				

TOW BAR

When ordering parts, please specify the model and serial number of the product.

* Indicates a component that is not available as an individual part.

*** Indicates consult Customer Service Department for additional information.

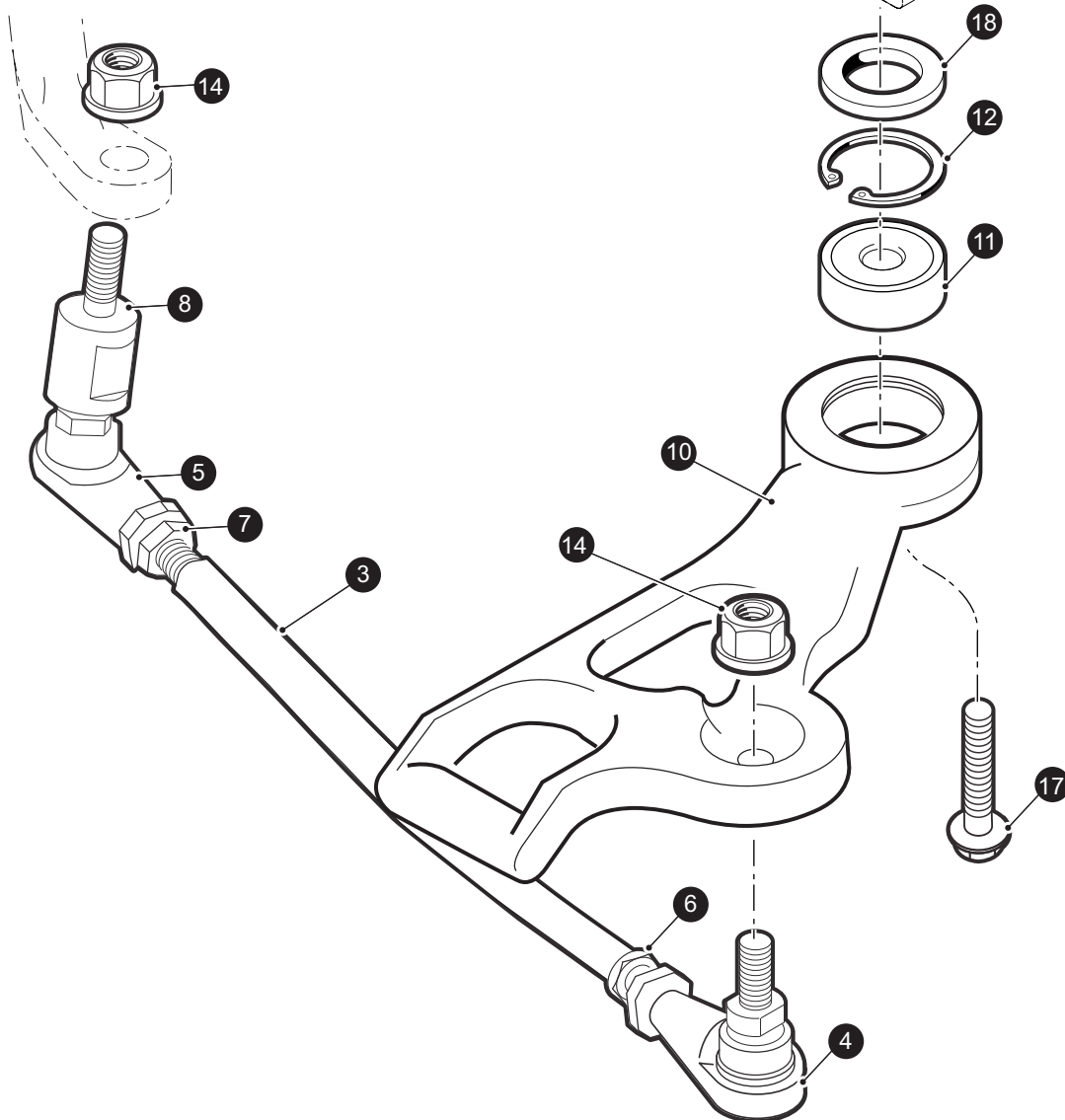
ITEM	PART NO.	1 2 3 4 5	DESCRIPTION	QTY.
32	625066		TOW BALL ASSEMBLY	1
33	614394		HITCH BALL SPACER, 34.9MM	1
34				
35	639520		TIE ROD SPACER	1

TOW BAR

- 1 PERMANENT FRONT TOW BAR includes items 2 - 12

Front Of Vehicle

- 2 TOW BAR STEERING LINK includes items 3 - 8



TOW BAR

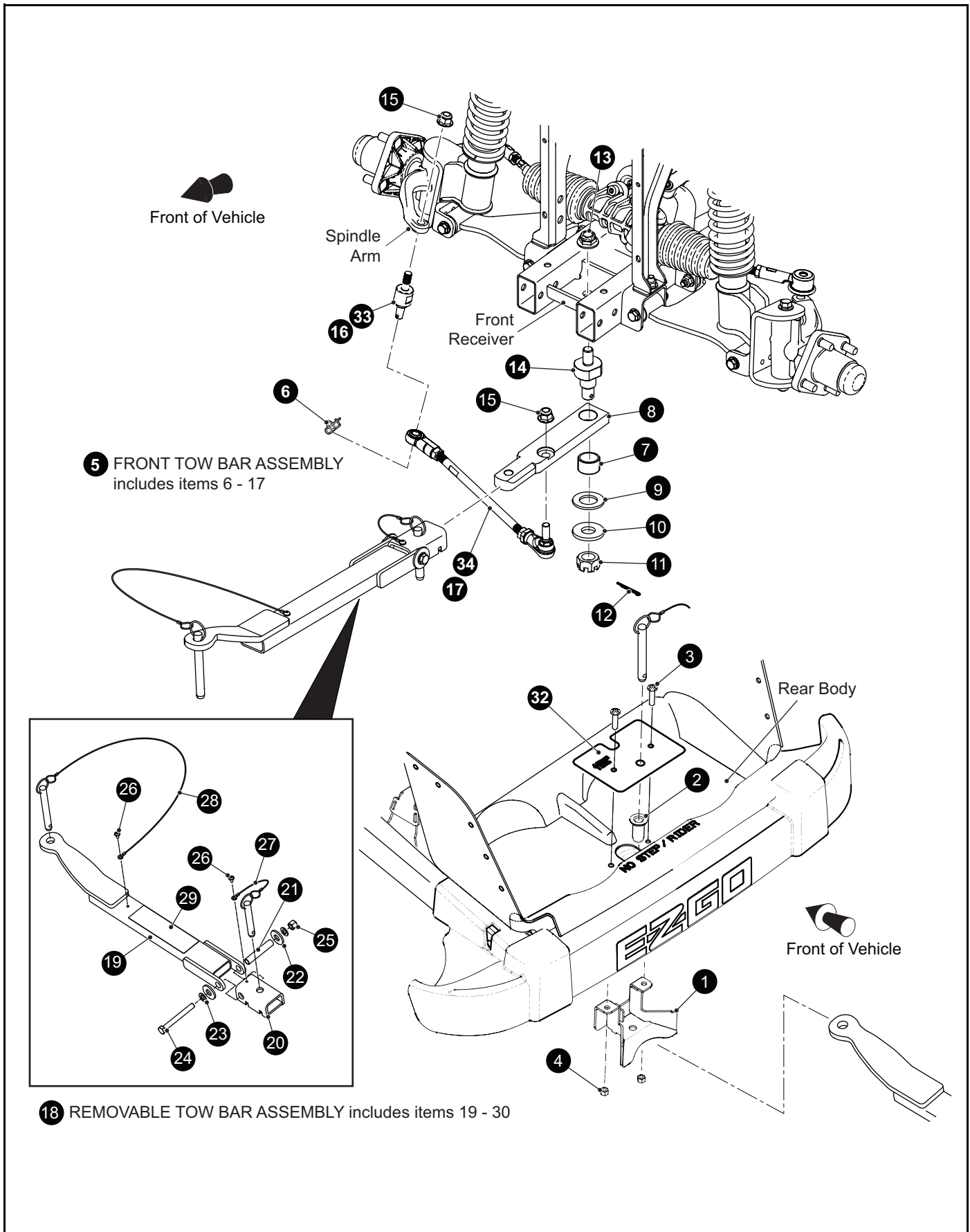
When ordering parts, please specify the model and serial number of the product.

* Indicates a component that is not available as an individual part.

*** Indicates consult Customer Service Department for additional information.

ITEM	PART NO.	1 2 3 4 5	DESCRIPTION	QTY.
1	603475		PERMANENT TOW BAR (TOWED VEHICLE) (INCLUDES ITEMS 2 - 12)...	1
2	601624		TOW BAR STEERING LINK (INCLUDES ITEMS 3 - 8).....	1
3	603297		TOW BAR TIE ROD.....	1
4	603322		LEFT HAND TIE ROD END	1
5	601266		RIGHT HAND TIE ROD END.....	1
6	603487		JAM NUT, M12 - 1.25 LH THREAD	1
7	603488		JAM NUT, M12 - 1.25 RH THREAD.....	1
8	608739		SPACER, 28MM.....	1
9				
10	601389		FRONT TOW BAR CASTING.....	1
11	606073		BEARING	1
12	607322		INTERNAL SNAP RING	1
13				
14	617787		HEX NUT, M12 - 1.75.....	2
15				
16				
17	607365		HEX HEAD FLANGED BOLT, M16 - 2 X 70MM LG.....	1
18	606293		FRONT TOW BAR SPACER, 31MM	1
19	601709		LOCKING HEX NUT, M16 - 2	1

TOW BAR



When ordering parts, please specify the model and serial number of the product.

* Indicates a component that is not available as an individual part.

*** Indicates consult Customer Service Department for additional information.

ITEM	PART NO.	1 2 3 4 5	DESCRIPTION	QTY.
1	635343		TOW BAR RECEIVER	1
2	635442		BUSHING	1
3	00762G2		TRUSS HEAD BOLT, 5/6" - 18 X 1.25" LG	2
4	11098G6		LOCK NUT, 5/16" - 18	2
5	637318		FRONT TOW BAR ASSEMBLY (INCLUDES ITEMS 6 - 17)	1
6	639519		RUE PIN	1
7	75307G01		BEARING	1
8	635474		FRONT PIVOT BAR	1
9	75309G01		THRUST BEARING	1
10	75342G01		FLAT WASHER, 1.75" O.D. X .781" I.D.	1
11	00518G8		CASTLE NUT, 3/4" - 16	1
12	10387G1		COTTER PIN, .125" X 1.50"	1
13	601709		LOCK NUT, M16 - 2	1
14	635464		PIVOT BOLT	1
15	617787		LOCK NUT, M12 - 1.75	2
16	639520		TIE ROD SPACER	1
17	639552		TIE ROD	1
18	635736		REMOVABLE TOW BAR ASSEMBLY (INCLUDES ITEMS 19 - 30)	1
19	635428		TOW BAR TONGUE WELDMENT	1
20	635461		TOW BAR COUPLING WELDMENT	1
21	620161		SPLIT STEEL SPACER	1
22	00675G3		FLAT WASHER (SS), 1/4"	2
23	00560G1		FLAT WASHER, 3/8"	2
24	00429G2		HEX HEAD BOLT, 3/8" - 16 X 3.25" LG	1
25	11098G5		LOCK NUT, 3/8" - 16	1
26	637563		SELF TAPPING SCREW, M4 - 1 X 14MM LG	2
27	641170		HITCH PIN ASSEMBLY (SHORT)	1
28	641171		HITCH PIN ASSEMBLY (LONG)	1
29	635906		TOW BAR WARNING LABEL DECAL	1
30	17618G1		NYLON CLAMP (NOT ILLUSTRATED)	2
31	31539G1		NYLON CLAMP (NOT ILLUSTRATED)	2

TOW BAR

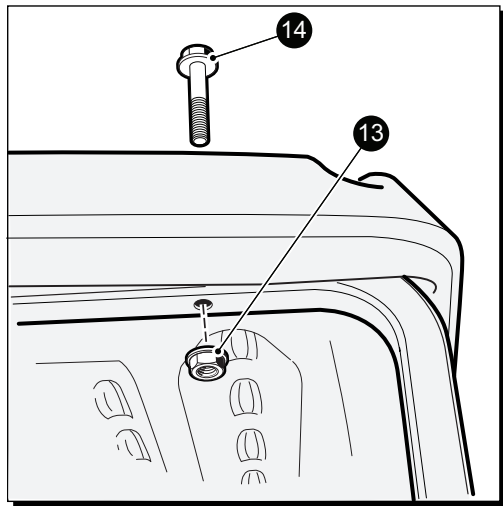
When ordering parts, please specify the model and serial number of the product.

* Indicates a component that is not available as an individual part.

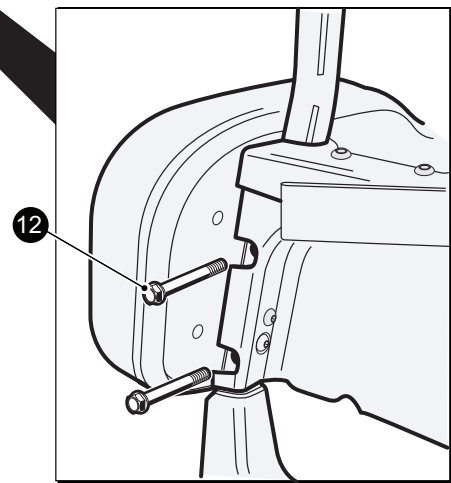
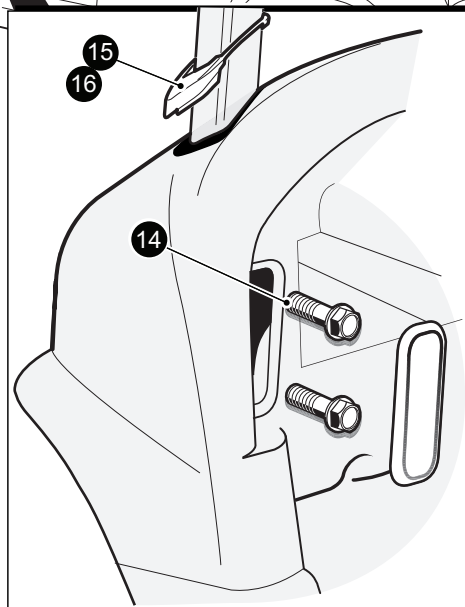
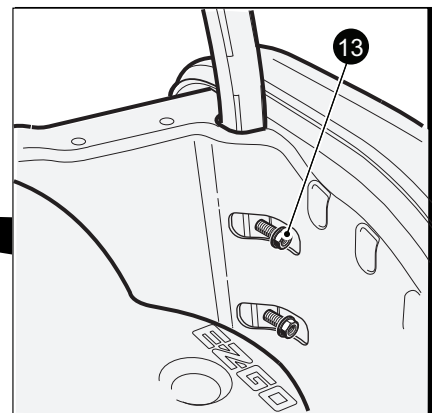
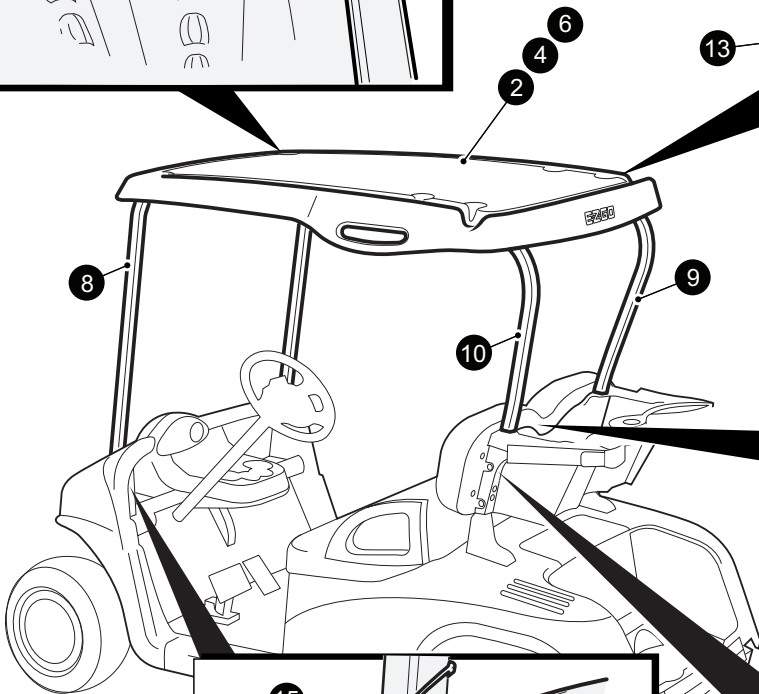
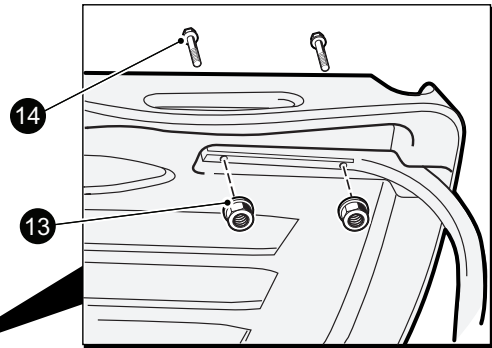
*** Indicates consult Customer Service Department for additional information.

ITEM	PART NO.	1 2 3 4 5	DESCRIPTION	QTY.
32	635757		DRILL TEMPLATE.....	1
33	614714		TIE ROD SPACER	1
34	617752		TIE ROD.....	1

WEATHER PROTECTION



- 1 Stone Beige Sun Top Kit includes items 2 & 7
- 3 Oyster Sun Top Kit includes items 4 & 7
- 5 Black Sun Top Kit includes items 6 & 7
- 7 Strut Kit includes items 8 - 11
- 11 Sun Top Hardware Kit includes items 12 - 16



WEATHER PROTECTION

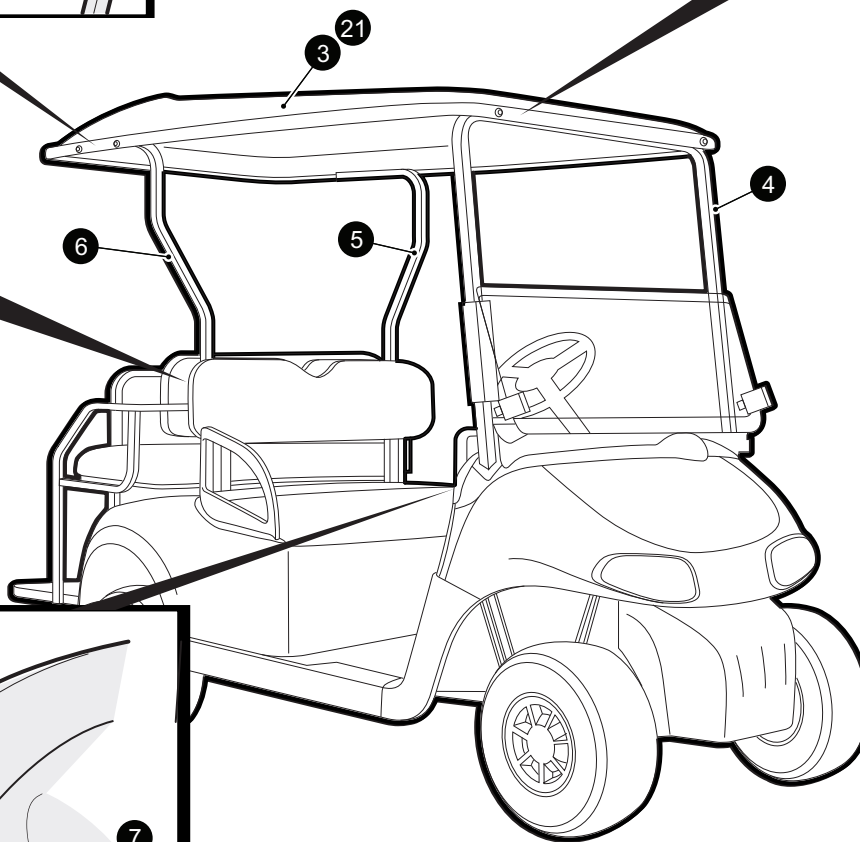
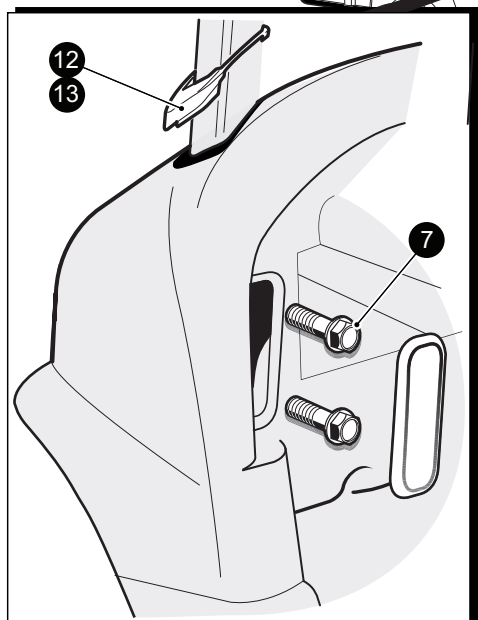
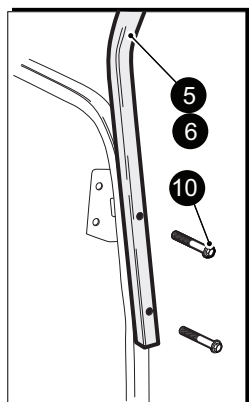
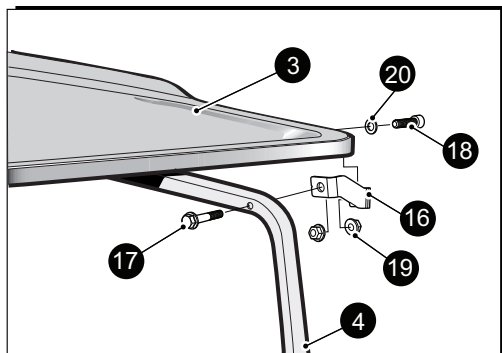
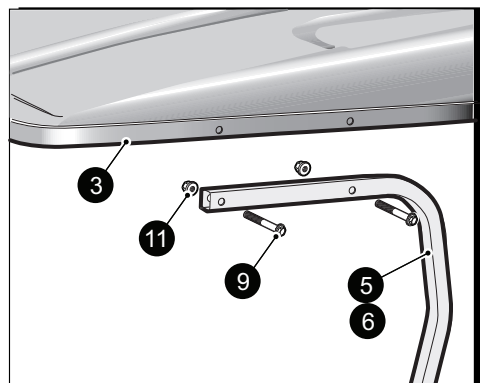
When ordering parts, please specify the model and serial number of the product.

* Indicates a component that is not available as an individual part.

*** Indicates consult Customer Service Department for additional information.

ITEM	PART NO.	1 2 3 4 5	DESCRIPTION	QTY.
1	606354		SUN TOP KIT, STONE BEIGE (includes items 2 & 7)	1
2	608198		SUN TOP, STONE BEIGE	1
3	608695		SUN TOP KIT, OYSTER (includes items 4 & 7).....	1
4	608015		SUN TOP, OYSTER	1
5	613233		SUN TOP KIT, BLACK (includes item 6 & 7)	1
6	613227		SUN TOP, BLACK	
7	608677		SUN TOP STRUT KIT (includes items 8 - 11)	1
8	603203		FRONT STRUT	1
9	614310		REAR STRUT, PASSENGER SIDE	1
10	614309		REAR STRUT, DRIVER SIDE.....	1
11	607013		SUN TOP HARDWARE KIT (includes items 12 - 16)	1
12	602415		HEX HEAD FLANGED BOLT, M10 - 1.5 X 80	4
13	600525		FLANGED LOCK NUT, M10 - 1.5.....	10
14	603800		HEX HEAD FLANGED BOLT, M10 - 1.5 X 50	10
15	602770		GROMMET, DRIVER SIDE	1
16	602992		GROMMET, PASSENGER SIDE	1

WEATHER PROTECTION



- 1 2 + 2 Stone Beige Sun Top Kit includes items 3 - 14
- 2 2 + 2 Oyster Sun Top Kit includes items 4 - 14 & 21
- 8 2 + 2 Sun Top Hardware Kit includes items 9 - 13
- 14 2 + 2 Sun Top Hardware Kit includes items 15 - 20

WEATHER PROTECTION

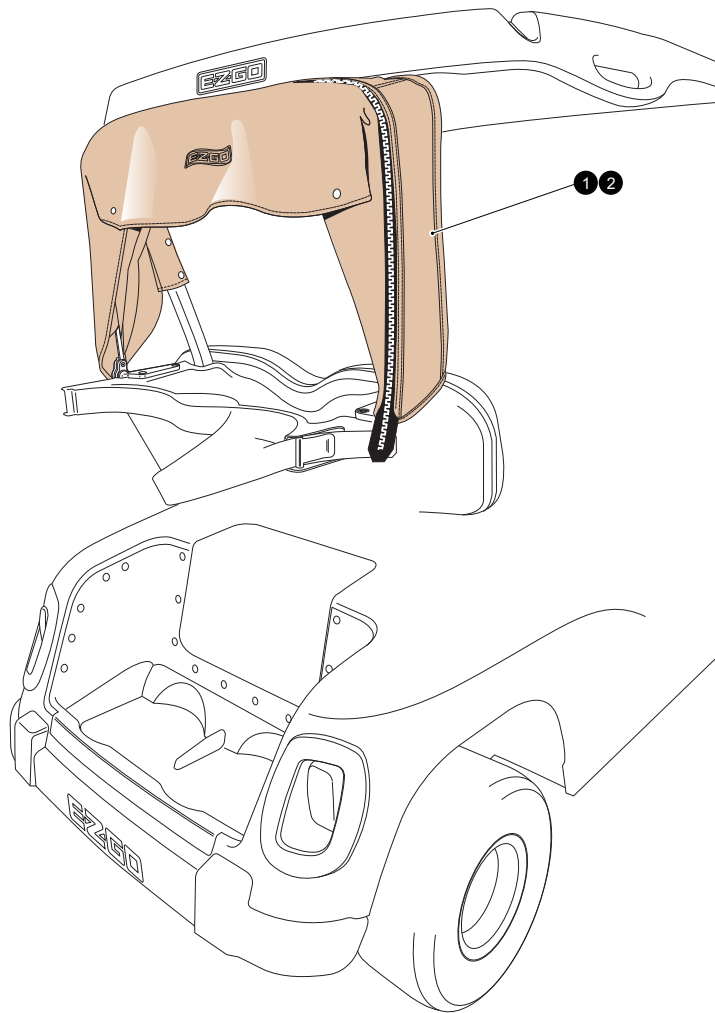
When ordering parts, please specify the model and serial number of the product.

* Indicates a component that is not available as an individual part.

*** Indicates consult Customer Service Department for additional information.

ITEM	PART NO.	1 2 3 4 5	DESCRIPTION	QTY.
1	610461		2 + 2 SUN TOP KIT, STONE BEIGE (includes items 3 - 14)	1
2	610462		2 + 2 SUN TOP KIT, OYSTER (includes items 4 -14 & 21)	
3	610434		2 + 2 SUN TOP, STONE BEIGE	1
4	603203		FRONT STRUT	1
5	604423		2 + 2 REAR STRUT, DRIVER SIDE	1
6	604424		2 + 2 REAR STRUT, PASSENGER SIDE	1
7	603800		HEX HEAD FLANGED BOLT, M10 - 1.5 X 50	1
8	610468		2 + 2 SUN TOP HARDWARE KIT (includes items 9 - 13)	1
9	601414		HEX HEAD FLANGED BOLT, M10 - 1.5 X 65	4
10	602415		HEX HEAD FLANGED BOLT, M10 - 1.5 X 80	4
11	600525		FLANGED LOCK NUT, M10 - 1.5	4
12	602770		STRUT GROMMET, DRIVER SIDE	1
13	602992		STRUT GROMMET, PASSENGER SIDE	1
14	610472		2 + 2 SUN TOP HARDWARE KIT (includes items 15-20)	1
15	610424		BRACKET, DRIVER SIDE (NOT SHOWN)	1
16	610425		BRACKET, PASSENGER SIDE	1
17	603800		HEX HEAD FLANGED BOLT, M10 - 1.5 X 50	2
18	608653		SOCKET HEAD SCREW, M10 - 1.5 X 35	2
19	600525		FLANGED LOCK NUT, M10 - 1.5	4
20	00560G1		FLAT WASHER	2
21	610433		2 + 2 SUN TOP, OYSTER	1

WEATHER PROTECTION



WEATHER PROTECTION

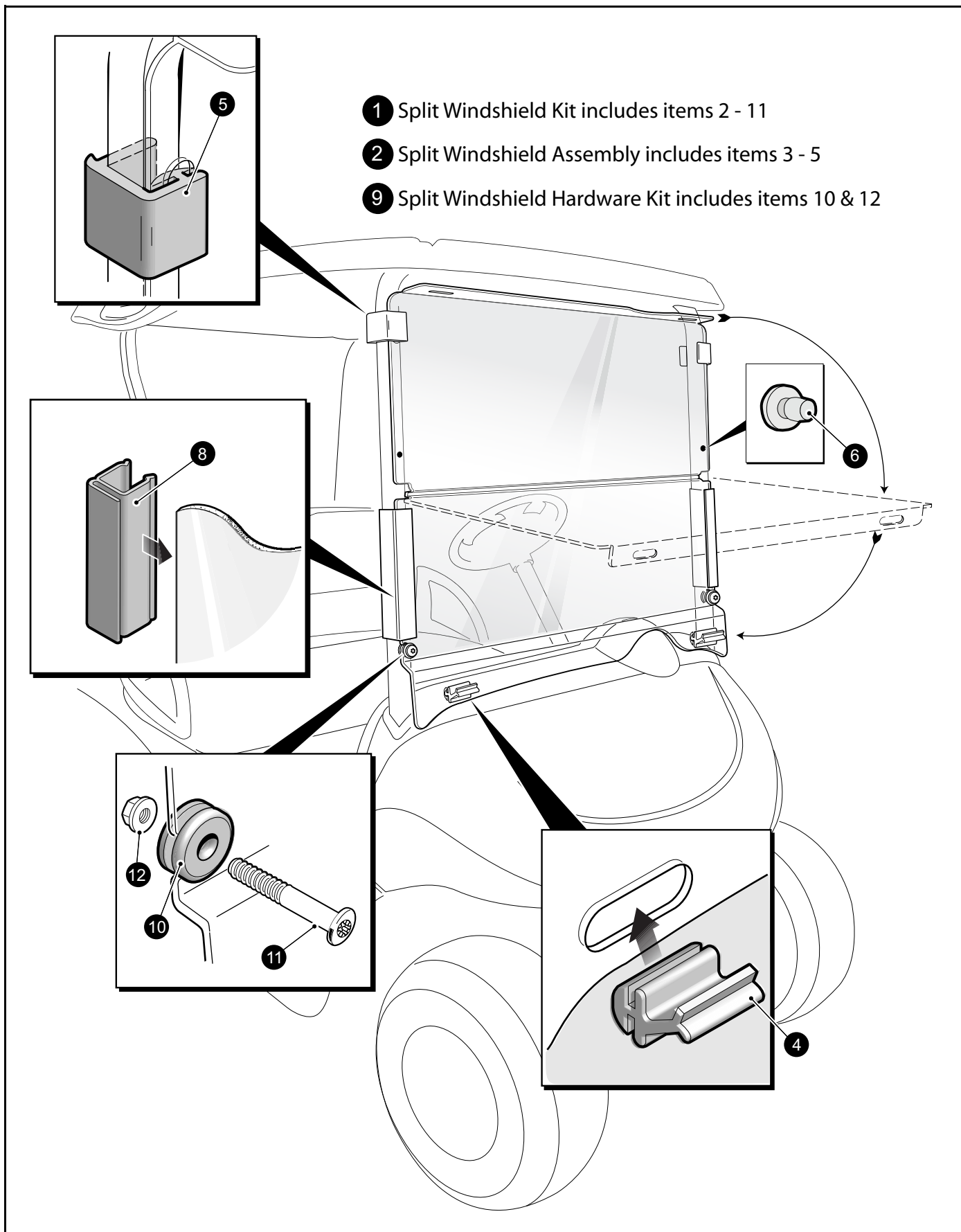
When ordering parts, please specify the model and serial number of the product.

* Indicates a component that is not available as an individual part.

*** Indicates consult Customer Service Department for additional information.

ITEM	PART NO.	1 2 3 4 5	DESCRIPTION	QTY.
1	604666		BAG COVER KIT,STONE BEIGE	1
2	620604		BAG COVER KIT, OYSTER.....	1

WEATHER PROTECTION



- 1 Split Windshield Kit includes items 2 - 11
- 2 Split Windshield Assembly includes items 3 - 5
- 9 Split Windshield Hardware Kit includes items 10 & 12

WEATHER PROTECTION

When ordering parts, please specify the model and serial number of the product.

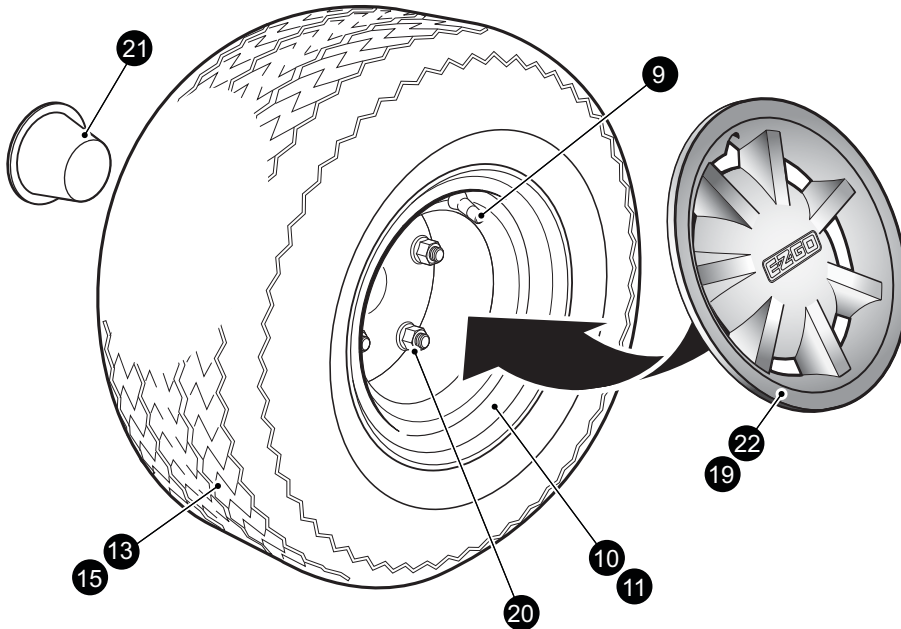
* Indicates a component that is not available as an individual part.

*** Indicates consult Customer Service Department for additional information.

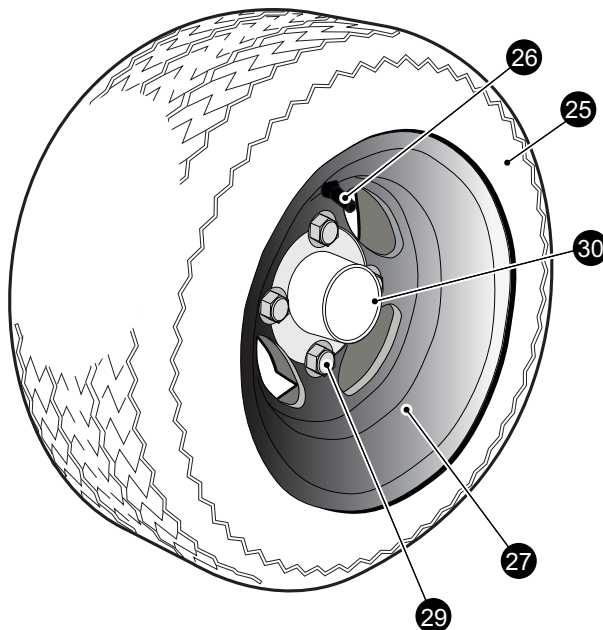
ITEM	PART NO.	1 2 3 4 5	DESCRIPTION	QTY.
1	606584		SPLIT WINDSHIELD KIT (includes items 2 - 11).....	1
2	606623		SPLIT WINDSHIELD ASSEMBLY (includes items 3 - 5).....	1
3	603738		SPLIT WINDSHIELD.....	1
4	603201		LOWER WINDSHIELD LATCH.....	2
5	603198		UPPER WINDSHIELD LATCH.....	2
6	604115		WINDSHIELD ISOLATOR.....	2
7				
8	603852		WINDSHIELD ATTACHMENT SASH	2
9	607014		SPLIT WINDSHIELD HARDWARE KIT (includes items 10 & 11)	1
10	604116		GROMMET	2
11	602527		TORX BOLT, BHD, M10 - 1.5 X 60	2
12	600525		LOCK NUT, M10 - 1.5	2

WHEELS AND TIRES

- 1 LINKS STONE BEIGE WHEEL & TIRE ASSEMBLY (includes items 9, 10, 13)
- 2 LINKS WHITE WHEEL & TIRE ASSEMBLY (includes items 9, 11 & 13)
- 5 USA STONE BEIGE WHEEL & TIRE ASSEMBLY (includes items 9, 10 & 15)
- 6 USA WHITE WHEEL & TIRE ASSEMBLY (includes items 9, 11 & 15)



- 24 ALLOY WHEEL AND TIRE ASSEMBLY (includes items 25 - 27)



WHEELS AND TIRES

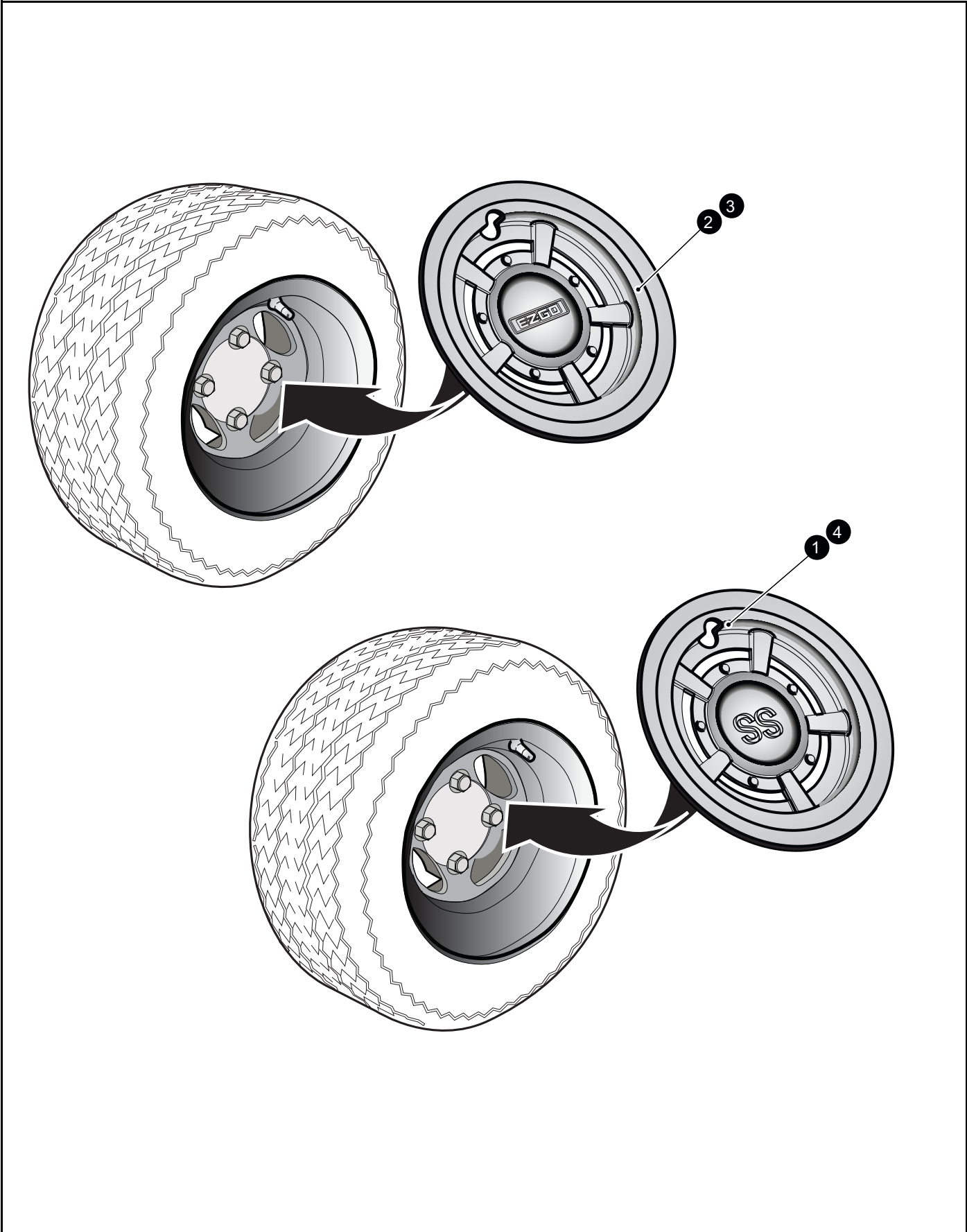
When ordering parts, please specify the model and serial number of the product.

* Indicates a component that is not available as an individual part.

*** Indicates consult Customer Service Department for additional information.

ITEM	PART NO.	1 2 3 4 5	DESCRIPTION	QTY.
1	603173		LINKS STONE BEIGE WHEEL & TIRE ASSEMBLY (includes items 9, 10, 13)	1
2	28757G01		LINKS WHITE WHEEL & TIRE ASSEMBLY (includes items 9, 11 & 13)	1
3				
4				
5	603216		USA STONE BEIGE WHEEL & TIRE ASSEMBLY (includes items 9, 10 & 15)	1
6	28842G01		USA WHITE WHEEL & TIRE ASSEMBLY (includes items 9, 11 & 15)	1
7				
8				
9	11657G2		VALVE STEM.....	1
10	603172		STONE BEIGE WHEEL.....	1
11	28759G01		WHITE WHEEL	1
12				
13	28764G01		CARLISLE LINKS TIRE, 18 X 8.5 - 8.....	1
14				
15	28764-G08		CARLISLE USA TRAIL TIRE, 18.5 X 8.5 - 8.....	1
16				
17				
18				
19	607096		HUB CAP, SILVER	4
20	14723-G1		LUG NUT, 1/2" - 20 UNF	4
21	74175-G01		DUST CAP	1
22	603785		HUB CAP, GOLD	4
23				
24	635726		ALLOY WHEEL AND TIRE ASSEMBLY (includes items 25 - 27) (FREEDOM ONLY)	4
25	601768		TOUR MAX TIRE, 205 / 50 - 10	1
26	601767		VALVE STEM.....	1
27	635727		ITP ALLOY WHEEL.....	1
28				
29	605310		CHROME LUG NUT, 1/2" - 20 UNF	16
30	601353		ALLOY WHEEL CAP	4

WHEELS AND TIRES



WHEELS AND TIRES

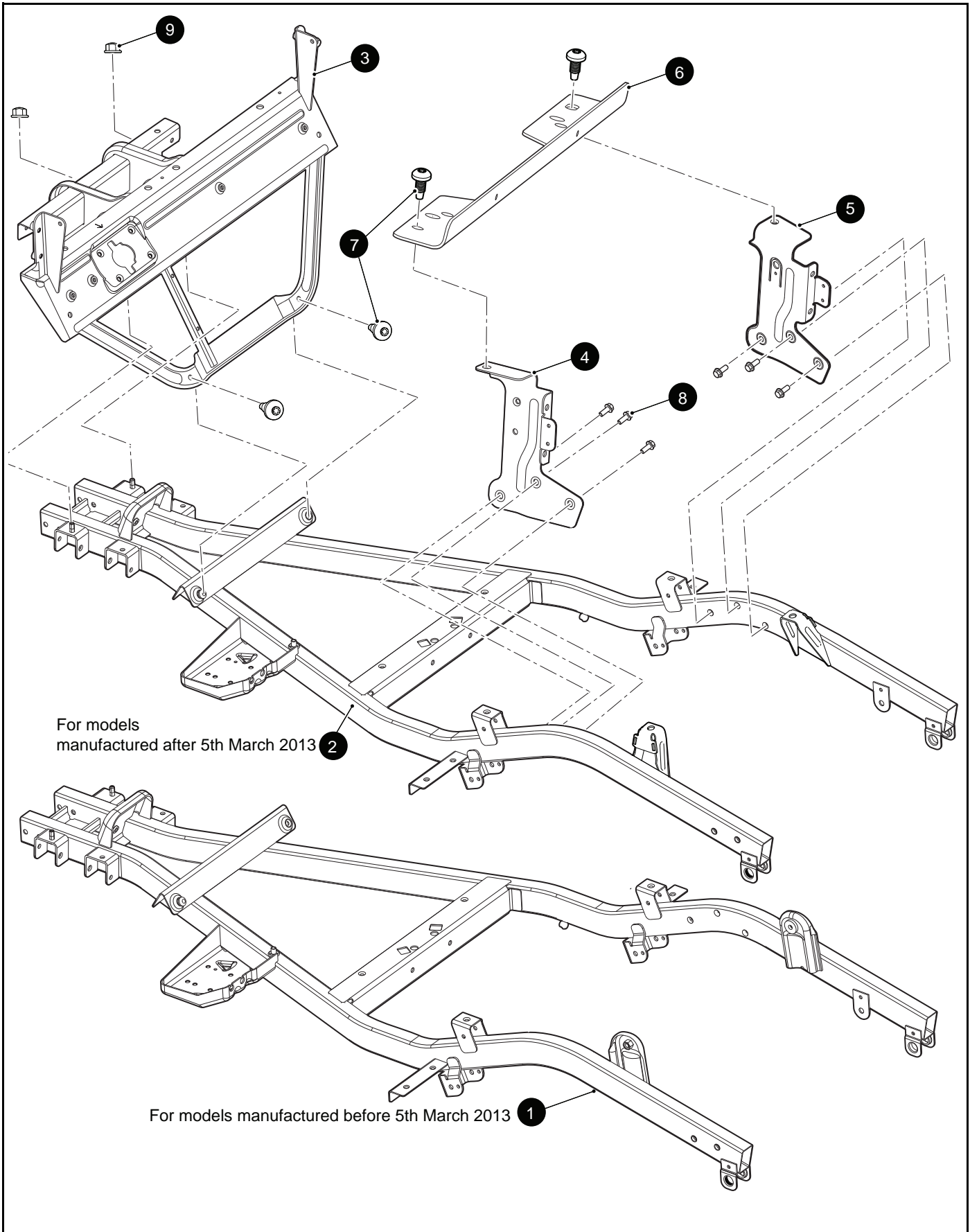
When ordering parts, please specify the model and serial number of the product.

* Indicates a component that is not available as an individual part.

*** Indicates consult Customer Service Department for additional information.

ITEM	PART NO.	1 2 3 4 5	DESCRIPTION	QTY.
1	608291		WHEEL COVER, CHROME SS, 8"	4
2	608292		WHEEL COVER, CHROME E-Z-GO, 8"	4
3	608627		WHEEL COVER, CHROME SILVER E-Z-GO, 8"	4
4	608629		WHEEL COVER, CHROME SILVER SS, 8"	4

FRAME



For models
manufactured after 5th March 2013

For models manufactured before 5th March 2013

When ordering parts, please specify the model and serial number of the product.

* Indicates a component that is not available as an individual part.

*** Indicates consult Customer Service Department for additional information.

ITEM	PART NO.	1 2 3 4 5	DESCRIPTION	QTY.
1	618726		FRAME WELDMENT (For models manufactured before 5th March 2013)	1
2	631180		FRAME WELDMENT (For models manufactured after 5th March 2013)	1
3	614597		IP SUPPORT WELDMENT	1
4	600218		SEAT SUPPORT BRACKET (DRIVER SIDE)	1
5	628614		SEAT SUPPORT BRACKET (PASSENGER SIDE).....	1
6	601275		SEAT SUPPORT, BRACE.....	1
7	602572		PAN HEAD TORX BOLT, M10 - 1.5 X 25mm LG	4
8	603799		HEX HEAD FLANGED BOLT , M10 - 1.5 X 23mm LG	6
9	600525		FLANGED HEX NUT, M10 - 1.5.....	2



A Textron Company

E-Z-GO Division of Textron Inc.,
1451 Marvin Griffin Road, Augusta, Georgia 30906 - 3852 USA

TO CONTACT US...

North America:

**Technical Assistance & Warranty
Service Parts**

Phone: 1-800-774-3946, FAX: 1-800-448-8124

Phone: 1-888-GET-E-Z-GO (1-888-438-3946), FAX: 1-800-752-6175

International:

Phone: 001-706-798-4311, FAX: 001-706-771-4609

Copyrighted Material
This manual may not be reproduced in whole or
in part without the express permission of
E-Z-GO Division of Textron, Inc.
Technical Communications Department