



**CUSHMAN<sup>®</sup>**  
**LET'S WORK<sup>®</sup>**

**SERVICE PARTS MANUAL**  
***REFRESHER***

**653048-AA**

ISSUED AUGUST 2016

REVISED APRIL 2019



# SERVICE PARTS MANUAL

## GASOLINE POWERED VEHICLES

REFRESHER FS2  
REFRESHER OASIS  
REFRESHER NSF

STARTING MODEL YEAR 2017

### **CALIFORNIA Proposition 65 Warning**

**WARNING:** Motor vehicles may contain fuels, oils and fluids, battery posts, terminals, and related accessories which contain lead and lead compounds and other chemicals identified by the State of California to potentially cause cancer, birth defects, and other reproductive harm. These chemicals are found in vehicles, vehicle parts and accessories, both new and replacements. During maintenance, these vehicles generate used oil, waste fluids, grease, fumes, and particulates, all identified by the State of California to potentially cause cancer, birth defects, and other reproductive harm.

Never modify the vehicle in any way that will alter the weight distribution of the vehicle, decrease its stability or increase the speed beyond the factory specifications. Such modifications can cause serious personal injury or death. Textron Specialized Vehicles prohibits and dis-claims responsibility for any such modifications or any other alteration which would adversely affect the safety of the vehicle. TSV reserves the right to incorporate engineering and design changes to products in this manual, without obligation to include these changes on units sold previously.

The information contained in this manual may be revised periodically by TSV, and therefore is subject to change without notice.

TSV DISCLAIMS LIABILITY FOR ERRORS IN THIS MANUAL, and SPECIFICALLY DISCLAIMS LIABILITY FOR INCIDENTAL AND CONSEQUENTIAL DAMAGES resulting from the use of the information and materials in this manual.

These are the original instructions as defined by 2006/42/EC.

### **TO CONTACT US:**

Textron Specialized Vehicles, Inc.

1451 Marvin Griffin Road

Augusta, Georgia, USA 30906-3852

### **NORTH AMERICA:**

Technical Assistance & Warranty PHONE: 1-800-774-3946, FAX: 1-800-448-8124

Service Parts PHONE: 1-888-438-3946, FAX: 1-800-752-6175

International: PHONE: 001-706-798-4311, FAX: 001-706-771-4609

cushmancomm@textron.com

## GENERAL INFORMATION

To obtain a copy of the limited warranty applicable to the vehicle, call or write a local Distributor, authorized Branch or the Warranty Department with vehicle serial number and manufacturer code.

The use of non Original Equipment Manufacturer (OEM) approved parts may void the warranty.

Tampering with or adjusting the governor to permit vehicle to operate at above factory specifications will void the vehicle warranty.

When servicing engines, all adjustments and replacement components must be per original vehicle specifications in order to maintain the United States of America Federal and State emission certification applicable at the time of manufacture.

### BATTERY PROLONGED STORAGE

Batteries self-discharge over time. The rate of self-discharge varies depending on the ambient temperature, the age and condition of the batteries.

Fully charged batteries will not freeze in winter temperatures unless the temperature falls below -75°F (-60°C).

### BATTERY DISPOSAL

Lead-acid batteries are recyclable. Return whole scrap batteries to distributor, manufacturer or lead smelter for recycling. For neutralized spills, place residue in acid-resistant containers with absorbent material such as sand. Dispose in accordance with local, state and federal regulations for acid and lead compounds. Contact local and/or state environmental officials regarding disposal information.

# TABLE OF CONTENTS

<b>SECTION</b>	<b>Page No.</b>
HOW TO USE THE SERVICE PARTS MANUAL.....	V
ACCELERATOR.....	A
AIR FILTER.....	B
BODY.....	C
BRAKES.....	D
CARBURETOR AND CHOKE.....	E
CLUTCH.....	F
DIRECTION SELECTOR.....	G
ELECTRICAL.....	H
ENGINE AND MUFFLER.....	J
ENGINE MOUNTING.....	K
FRONT SUSPENSION AND STEERING.....	L
FUEL SYSTEM.....	M
REAR AXLE.....	N
REAR SUSPENSION.....	P
REFRESHER UNIT.....	R
SEATING.....	S
STATER GENERATOR.....	T
WHEELS AND TIRES.....	U
DECALS AND LABELS.....	V



# HOW TO USE THE SERVICE PARTS MANUAL

This manual is divided into several sections:

- GENERAL INFORMATION
- ILLUSTRATED PARTS BREAKDOWN
- APPENDIX

The first section, GENERAL INFORMATION, contains the following information:

- WARRANTY INFORMATION
- GENERAL INDEX
- HOW TO USE THE SERVICE PARTS MANUAL

The second section, ILLUSTRATED PARTS BREAKDOWN, contains illustrations and parts lists for all systems of your vehicle.

The third section, APPENDIX, contains a listing of specialty products and accessories.

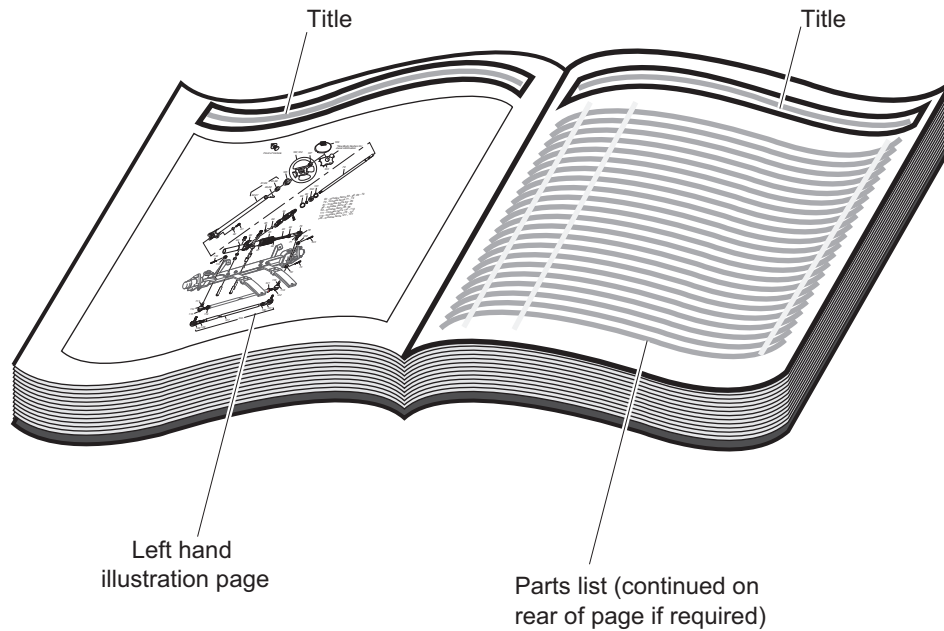
## USE OF THE MANUAL

To use this manual, consult the GENERAL INDEX to locate the information or illustration required.

Introduction of some revisions varies due to supply of components; therefore, it is possible that various combinations of components may be found that are not directly reflected by each illustration. Consult the illustration that best suits your situation and then contact the Service Parts Department. It is important that the serial number of your vehicle and its model number be supplied to Service Parts when ordering any replacement components.

Locate the serial number plate (see BODY located in the Illustrated Parts Breakdown section of this manual for its location) and note the complete number shown on the plate.

# HOW TO USE THE SERVICE PARTS MANUAL



## 1. WHEN THE PART NUMBER IS NOT KNOWN

- Determine the function and application of the part required. Turn to the General Index and select the most appropriate title.
- Turn to the page number indicated and locate the desired part on the illustration.
- From the illustration, obtain the item number assigned to the desired part. Refer to the accompanying description for specific information regarding the part.

## 2. IF YOU KNOW THE PART NUMBER

- Locate the part number or description in the appropriate column on the parts list page.

NOTE: Confirm the part selected is correct by verifying it with the illustration.

If an asterisk (\*) appears in the part number column on the parts list page, read upward until a part number is found. The part number is the lowest assembly sold by Service Parts and the asterisk (\*) indicates the part depicted is not available for purchase.

NOTE: Descriptions are indented under the assembly that they are used on. That assembly is, in turn listed under the assembly that it is used on. This process is repeated until the highest final assembly is reached.

**To facilitate the maintenance and repair of the vehicle, a Technician's Repair and Service Manual is available from the Service Parts Department.**



# HOW TO USE THE SERVICE PARTS MANUAL

## 3. COLOR CODE FOR BODY COMPONENTS

The last two digits of the part number for the body part will denote the color code, locate the part number for the cowl, rear body, seat pod, side panel or seat wrap then locate your color in the list below, replace the last \*\* or XX with the two digit color code.

<b><u>CODE #</u></b>	<b><u>DESCRIPTION</u></b>
11	BLACK
19	PATRIOT BLUE PEARL
20	INFERNO RED METALLIC
26	STEEL BLUE PEARL
31	METALLIC CHARCOAL
35	SAFETY YELLOW
36	IVORY
37	FOREST GREEN
38	BRIGHT WHITE
39	FLAME RED
41	ELECTRIC BLUE
42	PLATINUM
43	BURGUNDY
44	ALMOND
51	SUNBURST ORANGE
52	BRITISH RACING GREEN
69	MONSTER GREEN
72	MATTE BLACK
73	MATTE GREEN
74	BARLEY GOLD
75	OASIS GREEN
76	JAVA BROWN
78	REAL TREE XTRA DIPPED
79	JACOBSEN ORANGE 172
80	REAL TREE ADVANTAGE MAX 5-DIPPED

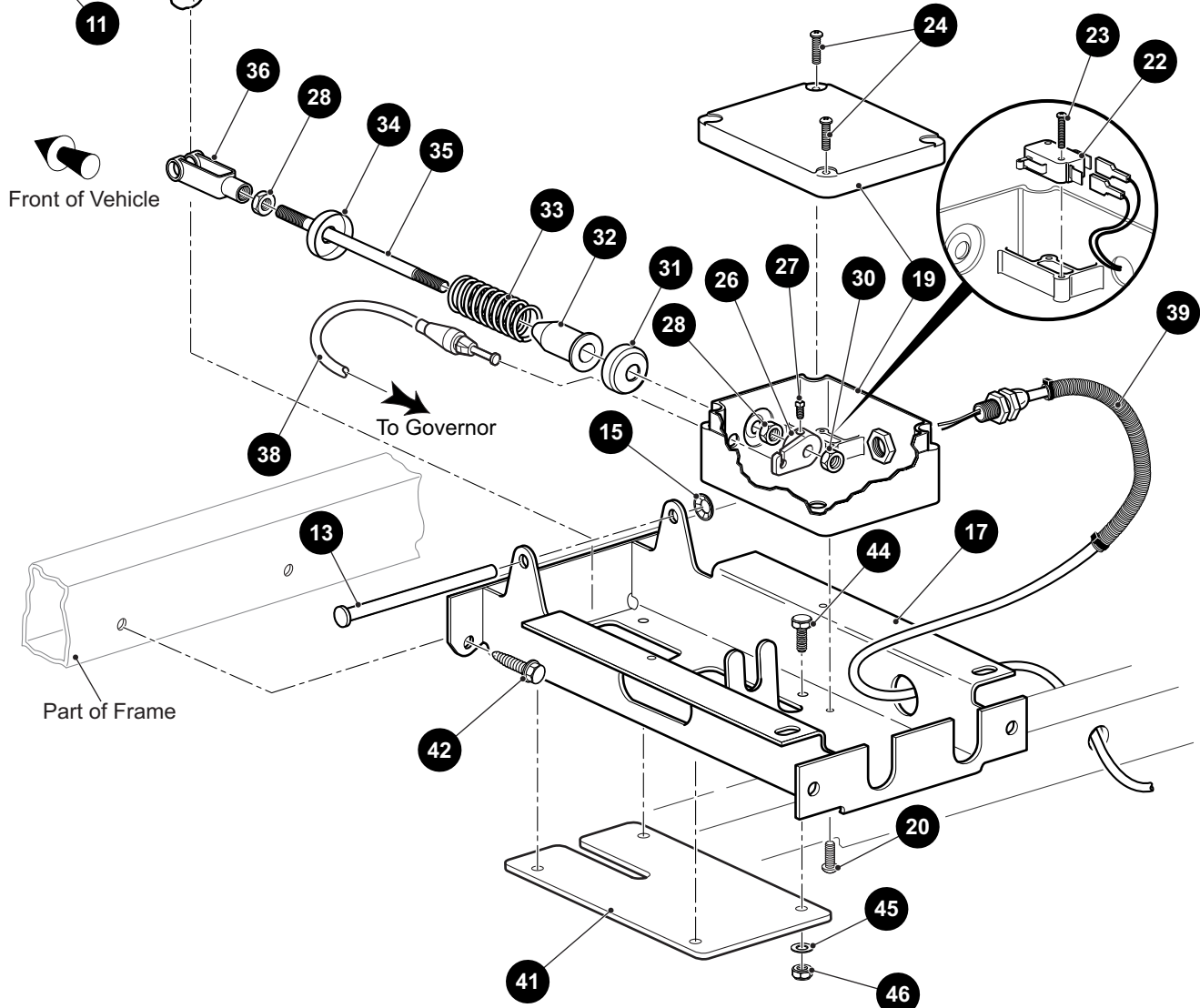
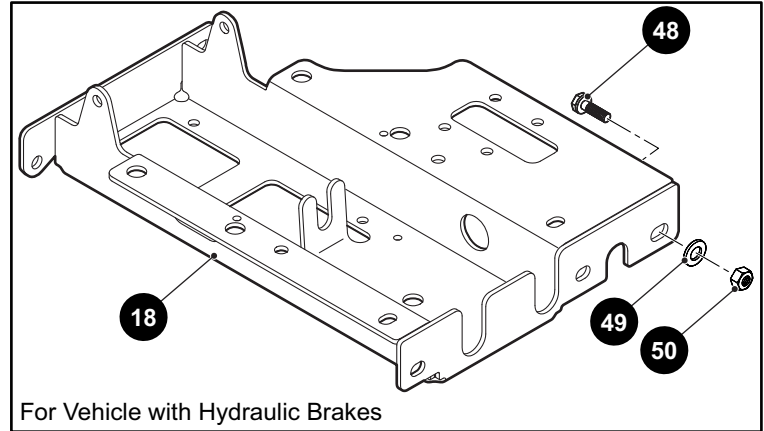
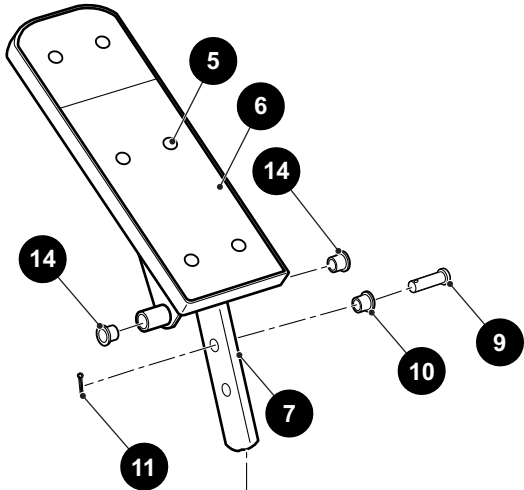
# ACCELERATOR

**1** ACCELERATOR PEDAL BOX ASSEMBLY  
includes items 3 - 17, 19 - 39

**2** ACCELERATOR PEDAL BOX ASSEMBLY  
includes items 3 - 15, 18 - 39

**3** ACCELERATOR PEDAL ASSEMBLY  
includes items 4, 7

**4** ACCELERATOR PEDAL PAD KIT  
includes items 5, 6



# ACCELERATOR

THE USE OF NON U.L. PARTS WILL VOID ANY U.L. LISTING.

When ordering parts, please specify the model and serial number of the product.

\* Indicates a component that is not available as an individual part.

\*\*\* Indicates consult Customer Service Department for additional information.

ITEM	PART NO.	1 2 3 4 5	DESCRIPTION	QTY.
1	<u>606991</u>		ACCELERATOR PEDAL BOX ASSEMBLY (INCLUDES ITEMS 3 - 17, 19 - 39) .....	1
2	<u>652700</u>		ACCELERATOR PEDAL BOX ASSEMBLY (VEHICLES WITH HYDRUALIC BRAKES) (INCLUDES ITEMS 3 - 15, 18 - 39) .....	1
3	<u>25799G03</u>		ACCELERATOR PEDAL ASSEMBLY (INCLUDES ITEMS 4, 7) .....	1
4	<u>27844G01</u>		ACCELERATOR PEDAL PAD KIT (INCLUDES ITEMS 5, 6) .....	1
5	<u>16409G1</u>		OVAL RIVET (ALUMINUM), 3/16" X .51" LG .....	6
6	<u>27512G01</u>		ACCELERATOR PEDAL PAD .....	1
7	<u>652824</u>		ACCELERATOR PEDAL .....	1
8				
9	<u>10386G3</u>		CLEVIS PIN, .313" X .940" LG .....	1
10	<u>17838G1</u>		FLANGED NYLINER BUSHING, .374" O.D. X .313" I.D. X .312" LG .....	1
11	<u>10387G3</u>		COTTER PIN, .094" X .75" .....	1
12				
13	<u>74432G01</u>		PEDAL PIVOT PIN, .313" X 4.87" LG .....	1
14	<u>17838G1</u>		FLANGED NYLINER BUSHING, .374" O.D. X .313" I.D. X .312" LG .....	2
15	<u>12064G6</u>		PUSH NUT, .301" X .092" LG .....	1
16				
17	<u>652241G03</u>		ACCELERATOR PEDAL BRACKET .....	1
18	<u>647958</u>		ACCELERATOR PEDAL BRACKET (HYDRUALIC BRAKES) .....	1
19	<u>25853G03</u>		PEDAL BOX AND COVER .....	1
20	<u>01051G01</u>		PAN HEAD PHILLIPS SCREW, #8 - 16 X 1/2" LG .....	4
21				
22	<u>25861G01</u>		MICRO SWITCH .....	1
23	<u>01050G01</u>		PAN HEAD TORX SCREW, #4 - 20 X 5/8" LG .....	2
24	<u>00684G6</u>		TRUSS HEAD PHILLIPS SCREW, #8 - 32 X 3/4" LG .....	2
25				
26	<u>72716G01</u>		MICRO SWITCH CAM .....	1
27	<u>00487G3</u>		SOCKET HEAD SET SCREW, 1/4" - 20 X 3/8" LG .....	1
28	<u>00532G4</u>		HEX NUT, 5/16" - 24 .....	2
29				
30	<u>15126G1</u>		LOCK NUT, 5/16" - 24 .....	1

# ACCELERATOR

THE USE OF NON U.L. PARTS WILL VOID ANY U.L. LISTING.

When ordering parts, please specify the model and serial number of the product.

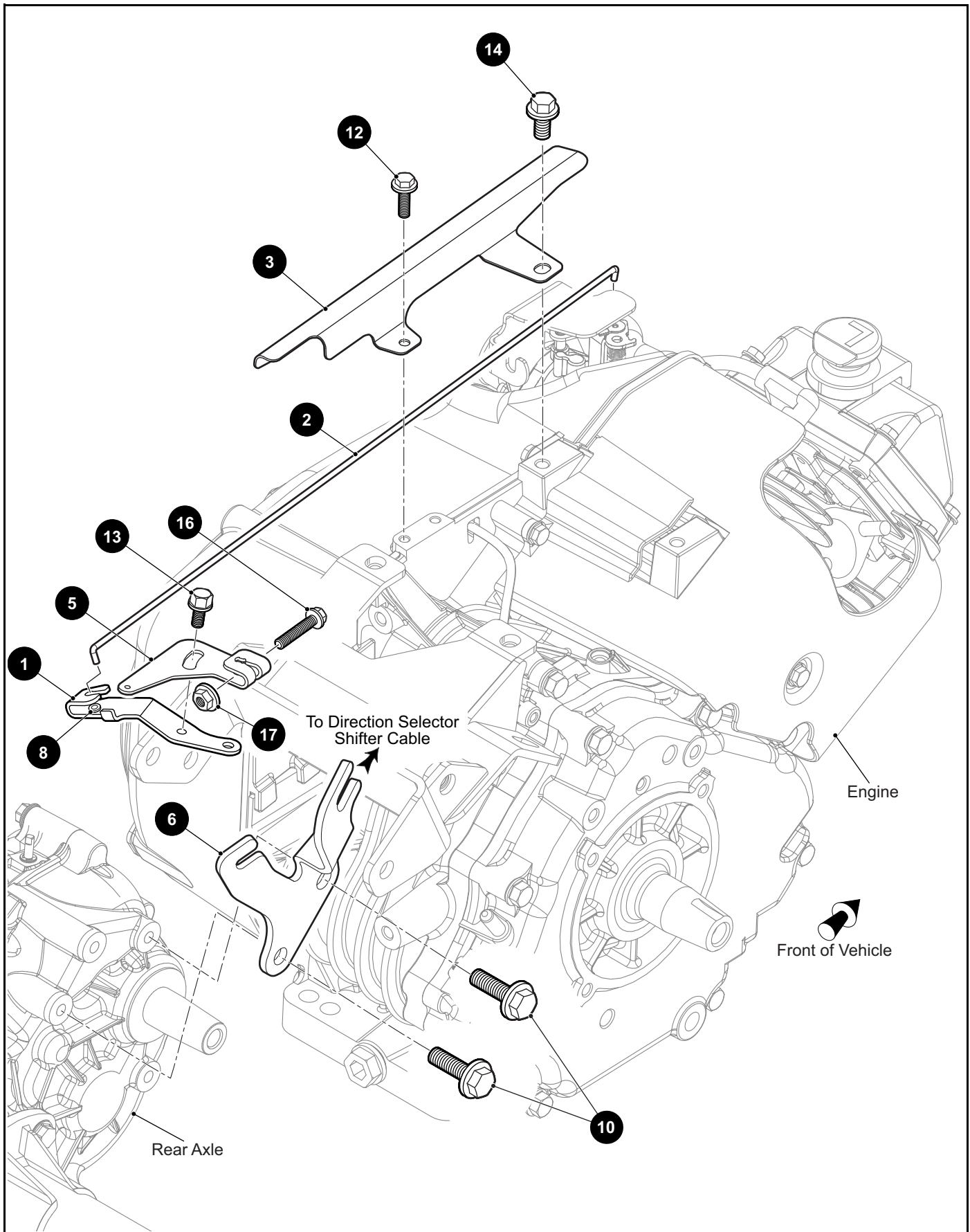
\* Indicates a component that is not available as an individual part.

\*\*\* Indicates consult Customer Service Department for additional information.

ITEM	PART NO.	1	2	3	4	5	DESCRIPTION	QTY.
31	<u>17677G1</u>						SPRING RETAINER, 1.062" O.D. X .5" I.D. X .34" LG .....	1
32	<u>17979G1</u>						ACCELERATOR ROD BUSHING, .464" DIA X 2.06" LG .....	1
33	<u>73046G01</u>						COMPRESSION SPRING, .884" O.D. X .793" I.D. X 4.625" LG .....	1
34	<u>17677G2</u>						SPRING RETAINER, 1.062" O.D. X .38" I.D. X .34" LG .....	1
35	72072G01						ACCELERATOR ROD, .311" X 7.31" LG .....	1
36	10385G4						CLEVIS YOKE (ADJUSTABLE) .....	1
37								
38	<u>608614</u>						ACCELERATOR CABLE, 75.75" LG .....	1
39	<u>72201G04</u>						WIRE HARNESS (PEDAL BOX) .....	1
40								
41	<u>652780G03</u>						PEDAL GUARD .....	1
42	<u>00715G2</u>						FLANGED HEX HEAD BOLT, 5/16" - 18 X 4/5" LG .....	4
43								
44	<u>00414G6</u>						HEX HEAD BOLT, 1/4" - 20 X 3/4" LG .....	4
45	<u>01110G01</u>						FLAT WASHER, 1/4" .....	4
46	<u>00654G2</u>						LOCK NUT (SS), 1/4" - 20 .....	4
47								
48	<u>00426G8</u>						HEX HEAD BOLT, 3/8" - 16 X 1" LG .....	1
49	<u>00643G1</u>						FLAT WASHER, 3/8" .....	1
50	<u>01109G01</u>						LOCK NUT, 5/16" - 18 .....	1
51								
52	<u>17618G1</u>						CLAMP (NYLON), 8" LG (NOT ILLUSTRATED) .....	1



# ACCELERATOR



THE USE OF NON U.L. PARTS WILL VOID ANY U.L. LISTING.  
 When ordering parts, please specify the model and serial number of the product.  
 \* Indicates a component that is not available as an individual part.  
 \*\*\* Indicates consult Customer Service Department for additional information.

ITEM	PART NO.	1 2 3 4 5	DESCRIPTION	QTY.
1	<u>606005</u>		GOVERNOR BRACKET (LOWER).....	1
2	<u>606284</u>		GOVERNOR LINK ROD .....	1
3	<u>603890</u>		GOVERNOR GUARD BRACKET .....	1
4				
5	<u>606083</u>		GOVERNOR BRACKET (UPPER) .....	1
6	<u>632936</u>		DIRECTION SELECTOR AND ACCELERATOR BRACKET .....	1
7				
8	<u>606283</u>		GOVERNOR LEVER BUSHING .....	1
9				
10	<u>606256</u>		FLANGED HEX HEAD BOLT, M10 - 1.25 X 25MM LG.....	2
11				
12	<u>606264</u>		FLANGED HEX HEAD BOLT, M6 - 1 X 20MM LG.....	1
13	<u>73876G01</u>		FLANGED HEX HEAD BOLT, M6 - 1 X 12MM LG.....	1
14	<u>606262</u>		FLANGED HEX HEAD BOLT, M8 - 1.25 X 16MM LG.....	1
15				
16	<u>606421</u>		FLANGED HEX HEAD BOLT, M6 - 1 X 30MM LG.....	1
17	<u>450452</u>		FLANGED HEX NUT, M6 - 1.....	1

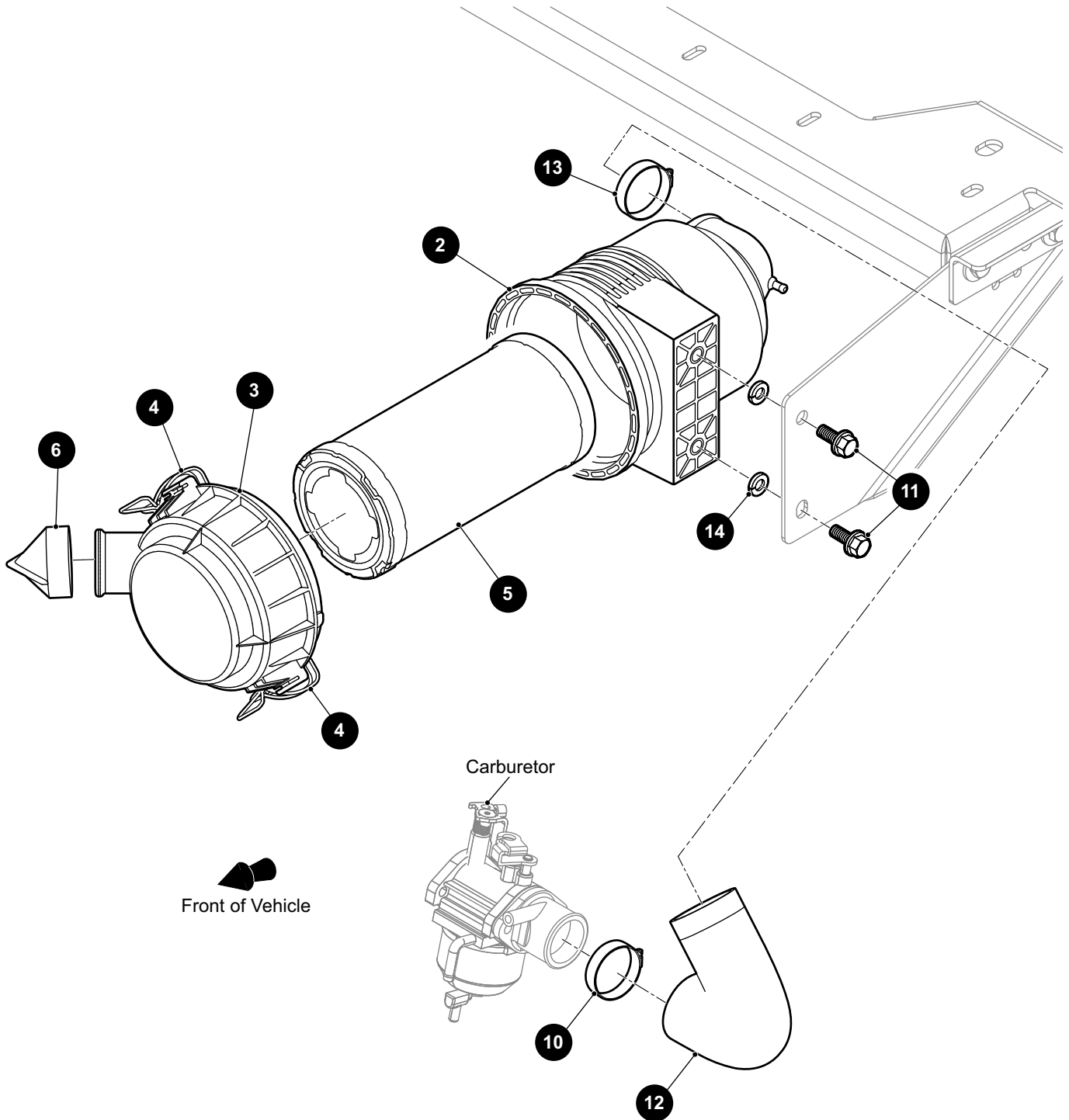






# AIR FILTER

1 AIR CLEANER ASSEMBLY includes items 2 - 6

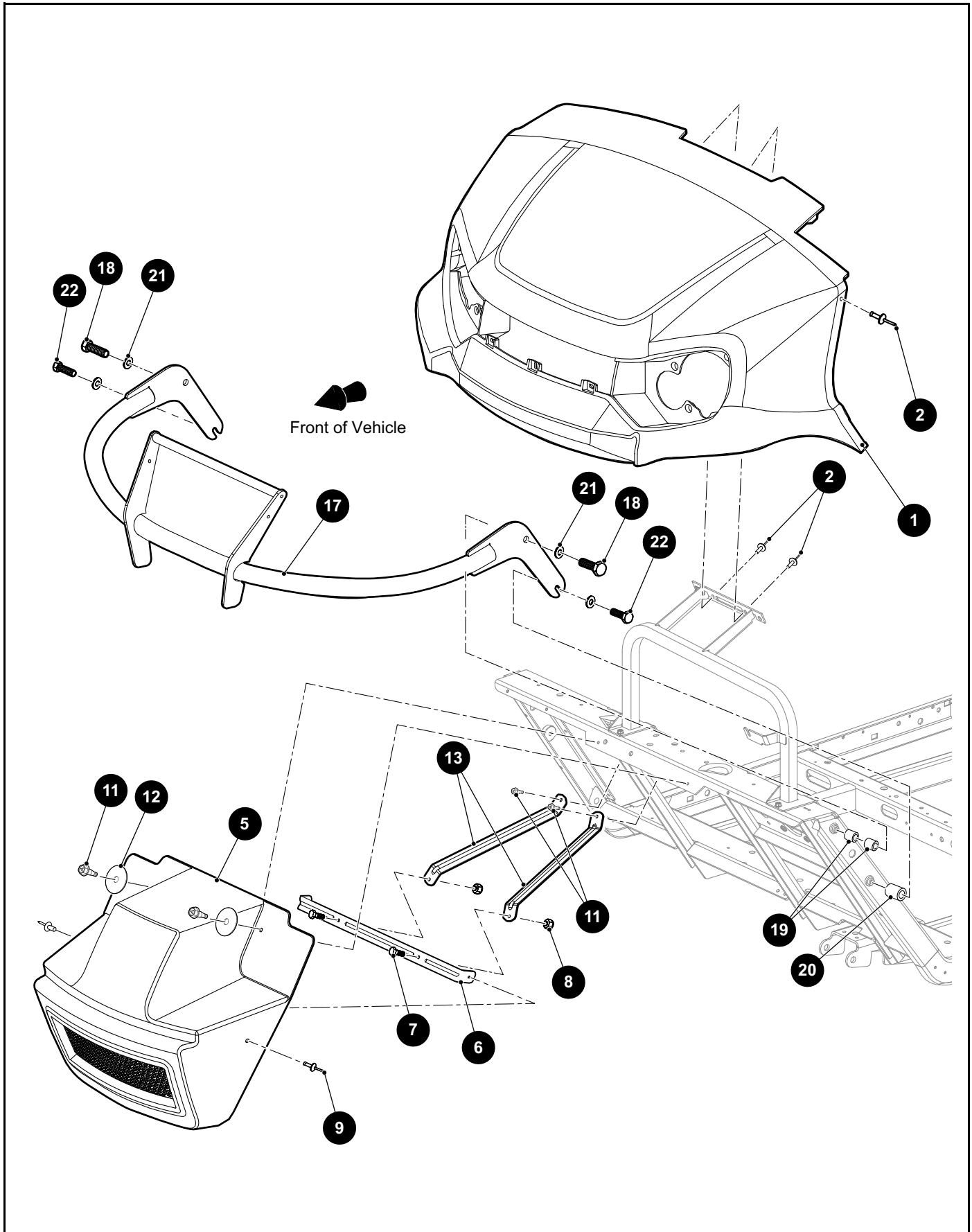


THE USE OF NON U.L. PARTS WILL VOID ANY U.L. LISTING.  
 When ordering parts, please specify the model and serial number of the product.  
 \* Indicates a component that is not available as an individual part.  
 \*\*\* Indicates consult Customer Service Department for additional information.

ITEM	PART NO.	1 2 3 4 5	DESCRIPTION	QTY.
1	<u>658941</u>		AIR CLEANER ASSEMBLY (INCLUDES ITEMS 2 - 6) .....	1
2	<u>659139</u>		BODY AND BRACKET ASSEMBLY .....	1
3	<u>658957</u>		AIR CLEANER COVER .....	1
4	<u>72604G01</u>		AIR CLEANER CLIP .....	2
5	<u>28463G01</u>		AIR FILTER ELEMENT .....	1
6	<u>28462G01</u>		DUST EJECTOR VALVE .....	1
7				
8				
9				
10	<u>11391G1</u>		HOSE CLAMP, 1.31" .....	1
11	<u>606261</u>		FLANGED HEX HEAD BOLT, M8 - 1.25 X 20MM LG. ....	2
12	<u>601910</u>		AIR FILTER TUBE, 14" LG .....	1
13	<u>11391G7</u>		HOSE CLAMP, 1.56" .....	1
14	<u>606272</u>		LOCK WASHER, 8MM .....	2

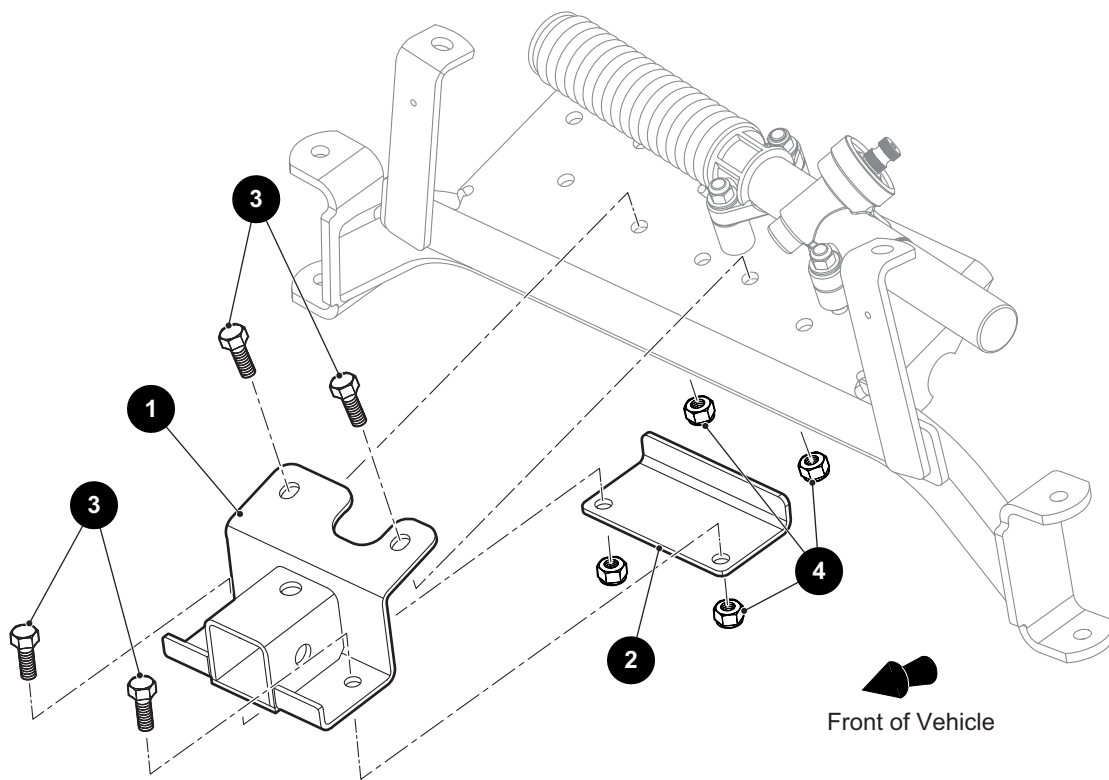






THE USE OF NON U.L. PARTS WILL VOID ANY U.L. LISTING.  
 When ordering parts, please specify the model and serial number of the product.  
 \* Indicates a component that is not available as an individual part.  
 \*\*\* Indicates consult Customer Service Department for additional information.

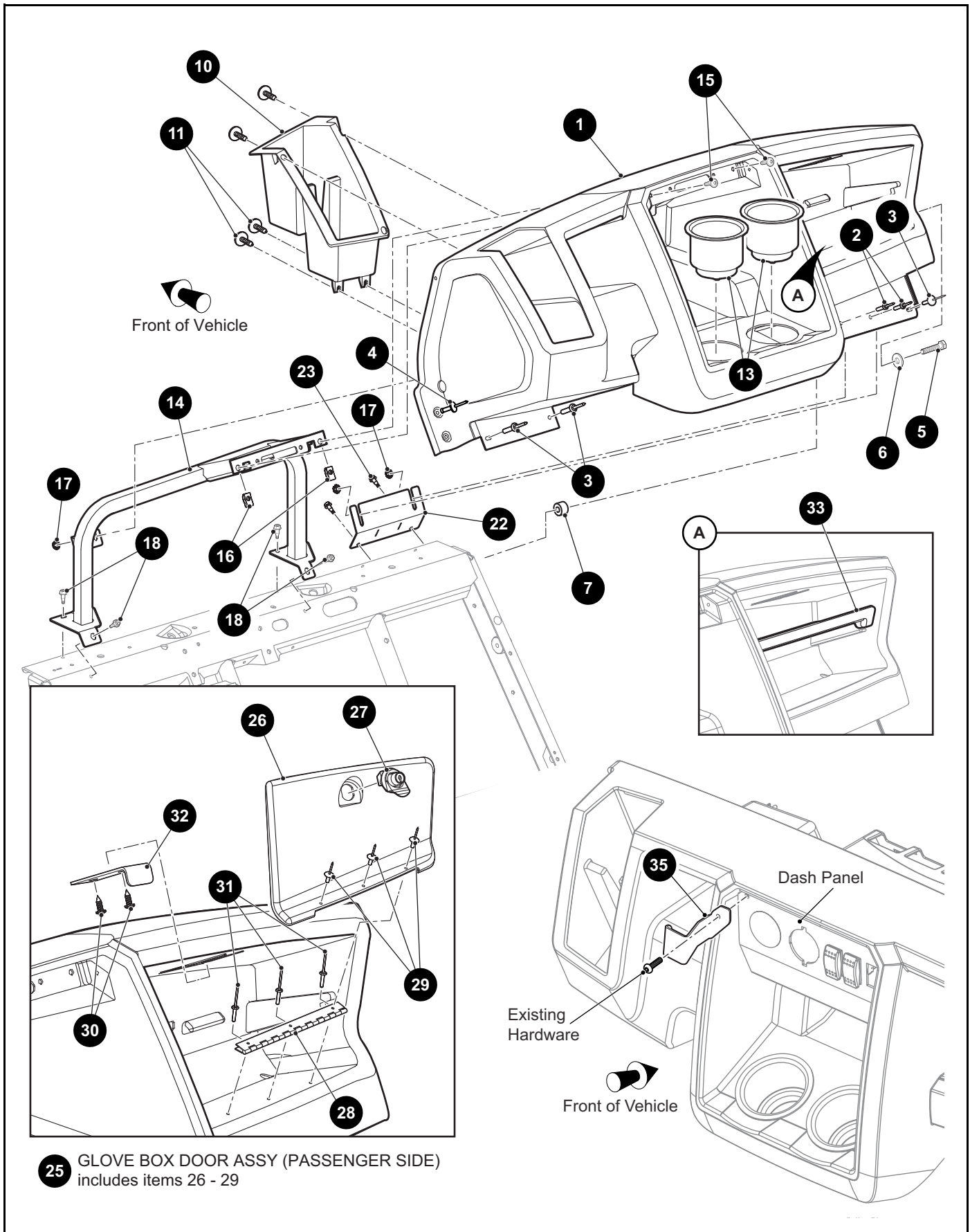
ITEM	PART NO.	1 2 3 4 5	DESCRIPTION	QTY.
1	648566G00XX		COWL (SEE COLOR CODE IN HOW TO USE SECTION) .....	1
2	<u>71055G02</u>		ALUMINUM RIVET, 3/16" X 1.18" LG .....	4
3				
4				
5	<u>613273</u>		FRONT FASCIA .....	1
6	<u>654275</u>		MOUNTING BRACKET .....	1
7	<u>00414G6</u>		HEX HEAD BOLT, 1/4" - 20 X 3/4" LG .....	2
8	<u>14390G4</u>		LOCK NUT, 1/4" - 20 .....	2
9	<u>15058G1</u>		RIVET (ALUMINUM), 3/16" X .45" LG .....	2
10				
11	<u>01038G01</u>		HEX WASHER HEAD SWAGEFORM SCREW, 1/4" - 20 X .70" LG .....	4
12	<u>16469G1</u>		FENDER WASHER .....	2
13	654276		FRONT FASCIA MOUNTING BRACE .....	1
14				
15				
16				
17	<u>662022</u>		BRUSH GUARD .....	1
18	<u>00441G2</u>		HEX HEAD BOLT, 5/16 - 18 X 3 1/4" LG .....	2
19	<u>75048G04</u>		SPACER, .328" I.D. X .75" O.D. X 1" LG .....	4
20	<u>75048G03</u>		SPACER, .328" I.D. X .75" O.D. X 1.5" LG .....	2
21	00559G8		FLAT WASHER, .349" I.D. X .692" O.D. ....	4
22	<u>00440G6</u>		HEX HEAD BOLT, 5/16 - 18 X 2 3/4" LG .....	2





THE USE OF NON U.L. PARTS WILL VOID ANY U.L. LISTING.  
 When ordering parts, please specify the model and serial number of the product.  
 \* Indicates a component that is not available as an individual part.  
 \*\*\* Indicates consult Customer Service Department for additional information.

ITEM	PART NO.	1 2 3 4 5 DESCRIPTION	QTY.
1	<u>635202</u>	WINCH RECEIVER .....	1
2	<u>604572</u>	WINCH RECEIVER RETAINER .....	1
3	<u>00462G8</u>	HEX HEAD BOLT, 7/16" - 14 X 7/8" LG .....	4
4	<u>00734G1</u>	LOCK NUT, 7/16" - 14 .....	4



**25** GLOVE BOX DOOR ASSY (PASSENGER SIDE)  
includes items 26 - 29

THE USE OF NON U.L. PARTS WILL VOID ANY U.L. LISTING.  
 When ordering parts, please specify the model and serial number of the product.  
 \* Indicates a component that is not available as an individual part.  
 \*\*\* Indicates consult Customer Service Department for additional information.

ITEM	PART NO.	1 2 3 4 5	DESCRIPTION	QTY.
1	<u>648568</u>		INSTRUMENT PANEL .....	1
2	<u>71055G01</u>		RIVET (ALUMINUM), 3/16" X 1 1/8" LG .....	2
3	<u>14601G11</u>		RIVET (ALUMINUM), 3/16" X 9/16" LG .....	3
4	<u>71055G02</u>		ALUMINUM RIVET, 3/16" .....	2
5	<u>651011</u>		HEX HEAD BOLT, 5/16" - 18 X 1.5" LG .....	2
6	<u>634808</u>		FLAT WASHER, 5/16" .....	2
7	<u>75048G01</u>		SPACER, .328" X .75" X .5" .....	2
8				
9				
10	<u>648562</u>		CUP HOLDER (DRIVER SIDE) .....	1
11	<u>613373</u>		PAN HEAD TAPPING SCREW (WITH WASHER), M4.8 - 1.6 X 22MM LG ...	4
12				
13	<u>650913</u>		SINGLE CENTER CUP HOLDER .....	2
14	<u>650043</u>		IP SUPPORT .....	1
15	<u>645323</u>		PAN WASHER HEAD TORX SCREW, M6 - 1 X 23.4MM LG .....	2
16	<u>602409</u>		BARREL CLIP, M6 - 1 .....	2
17	<u>71597G01</u>		SELF THREADING NUT, 5MM X 10MM X 15MM .....	3
18	<u>01038G01</u>		HEX WASHER HEAD SWAGEFORM SCREW, 1/4" - 20 X .70" LG .....	4
19				
20				
21				
22	<u>650042</u>		INSTRUMENT PANEL SUPPORT BRACKET (PASSENGER SIDE) .....	1
23	<u>01038G01</u>		HEX WASHER HEAD SWAGEFORM SCREW, 1/4" - 20 X .70" LG .....	2
24				
25	<u>650784</u>		GLOVE BOX DOOR ASSY (PASSENGER SIDE) (INCLUDES ITEM 26 - 29)	1
26	650813		DOOR .....	1
27	654475		LOCK ASSEMBLY .....	1
28	652386		HINGE .....	1
29	<u>14601G10</u>		RIVET (ALUMINUM), 5/32" X .425" LG.....	3
30	<u>00614G4</u>		PAN HEAD PHILLIPS TAPPING SCREW, #8 - 18 X 1/2" LG .....	2
31	<u>71045G01</u>		RIVET (ALUMINUM), 5/32" X .785" LG .....	3

# BODY

THE USE OF NON U.L. PARTS WILL VOID ANY U.L. LISTING.

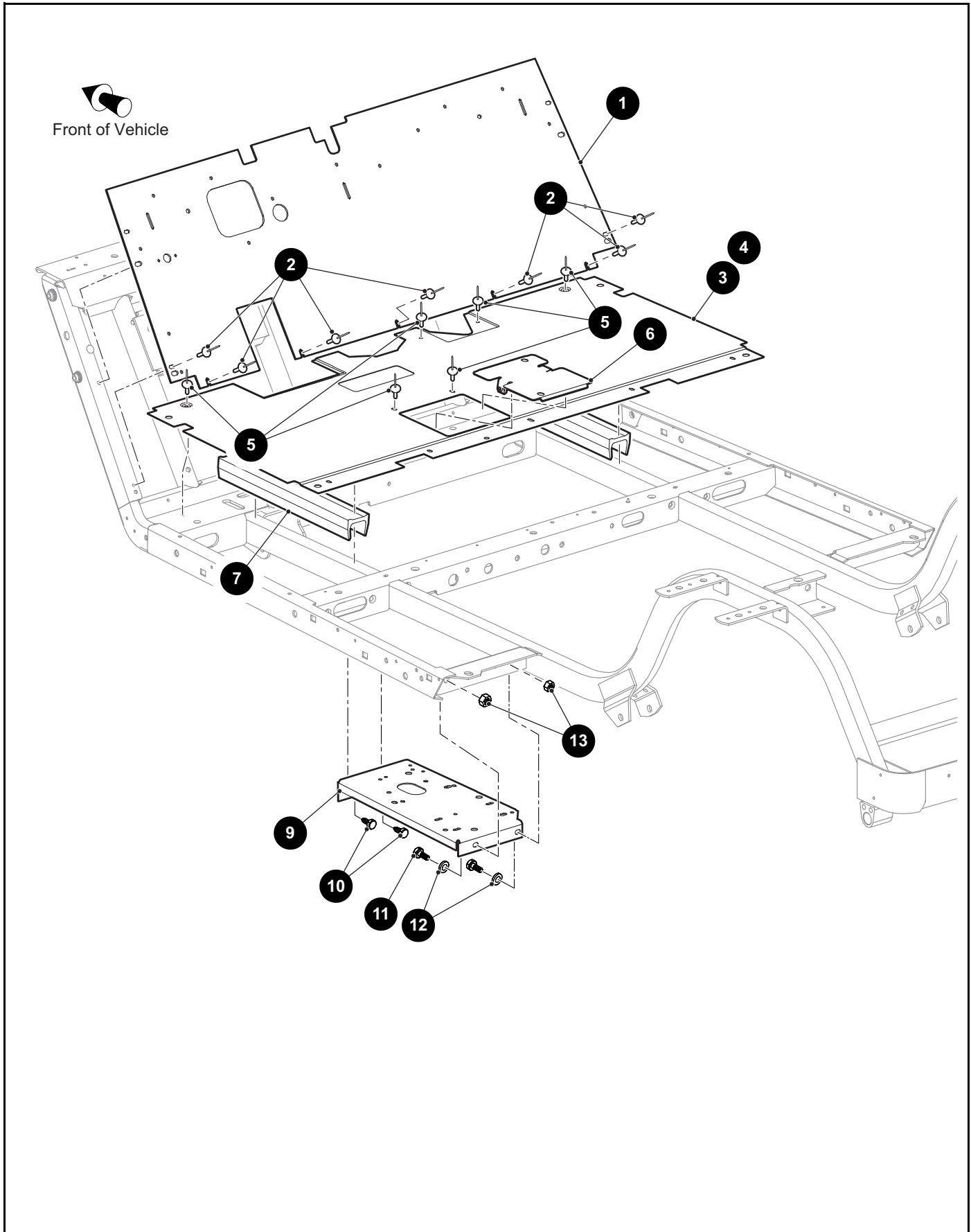
When ordering parts, please specify the model and serial number of the product.

\* Indicates a component that is not available as an individual part.

\*\*\* Indicates consult Customer Service Department for additional information.

ITEM	PART NO.	1 2 3 4 5	DESCRIPTION	QTY.
32	<u>652390</u>		GLOVE BOX STRIKER .....	1
33	<u>648561</u>		TRAY PANEL (PASSENGER SIDE) .....	1
34				
35	<u>664044</u>		RADIO CLIP .....	1

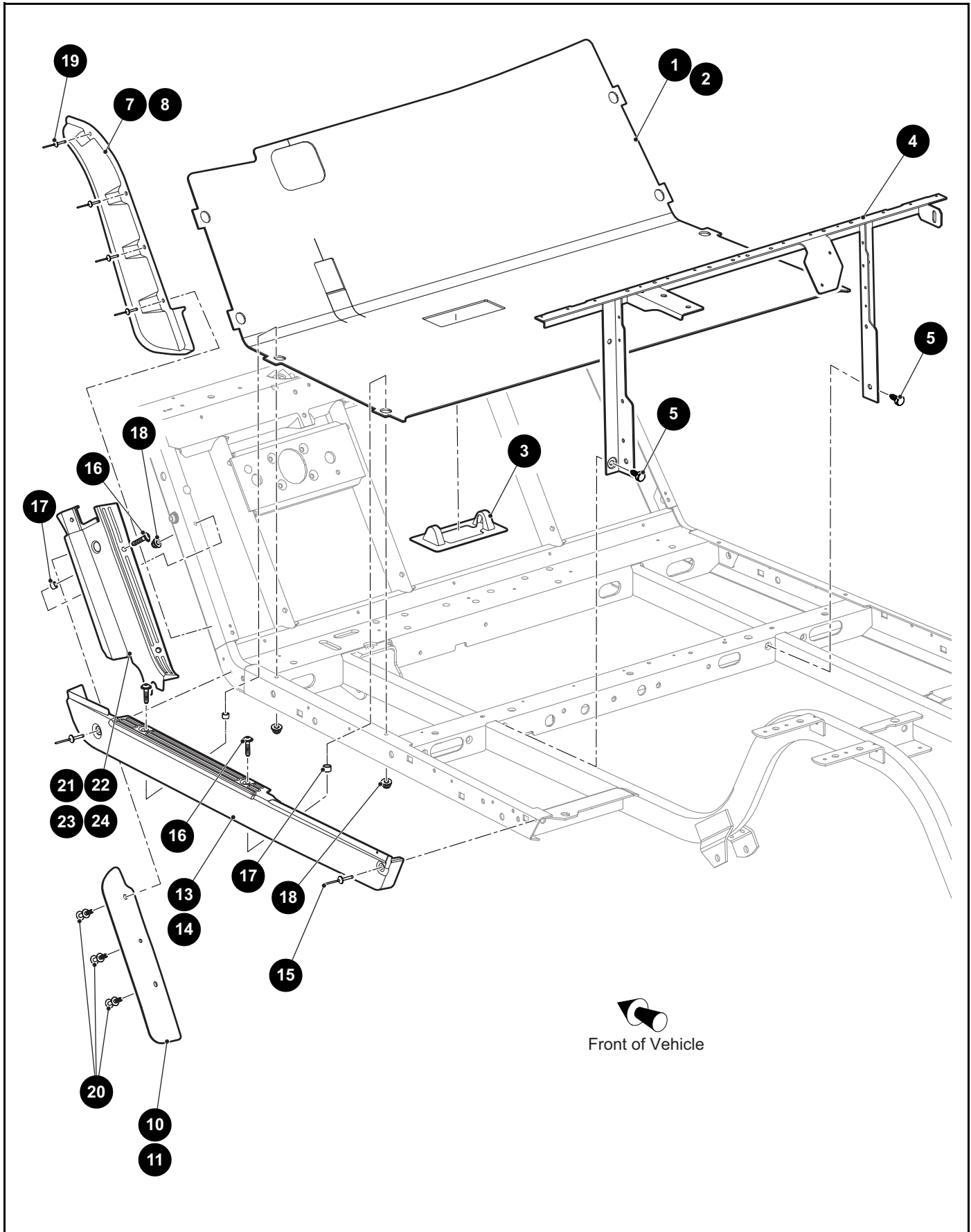




THE USE OF NON U.L. PARTS WILL VOID ANY U.L. LISTING.  
 When ordering parts, please specify the model and serial number of the product.  
 \* Indicates a component that is not available as an individual part.  
 \*\*\* Indicates consult Customer Service Department for additional information.

ITEM	PART NO.	1 2 3 4 5	DESCRIPTION	QTY.
1	<u>641260</u>		UPPER FLOOR PANEL.....	1
2	<u>14601G11</u>		RIVET (ALUMINUM), 3/16" X .575" LG .....	7
3	<u>664052G02</u>		FLOOR MAT (LOWER) .....	1
4	<u>664052G03</u>		FLOOR MAT (LOWER) .....	1
5	<u>14601G11</u>		RIVET (ALUMINUM), 3/16" X .575" LG .....	6
6	<u>665025</u>		ACCESS COVER (MICRO SWITCH) .....	1
7	<u>664735</u>		FLOORBOARD SPACER .....	2
8				
9	<u>70244G05</u>		SPLASH PAN .....	1
10	<u>00715G2</u>		HEX WASHER HEAD SCREW, 5/16" - 18 X .8" LG .....	2
11	<u>00438G8</u>		HEX HEAD BOLT, 5/16" - 18 X 5/8" LG .....	2
12	00559G8		FLAT WASHER, 5/16" .....	2
13	11098G6		LOCK NUT, 5/16" - 18 .....	2

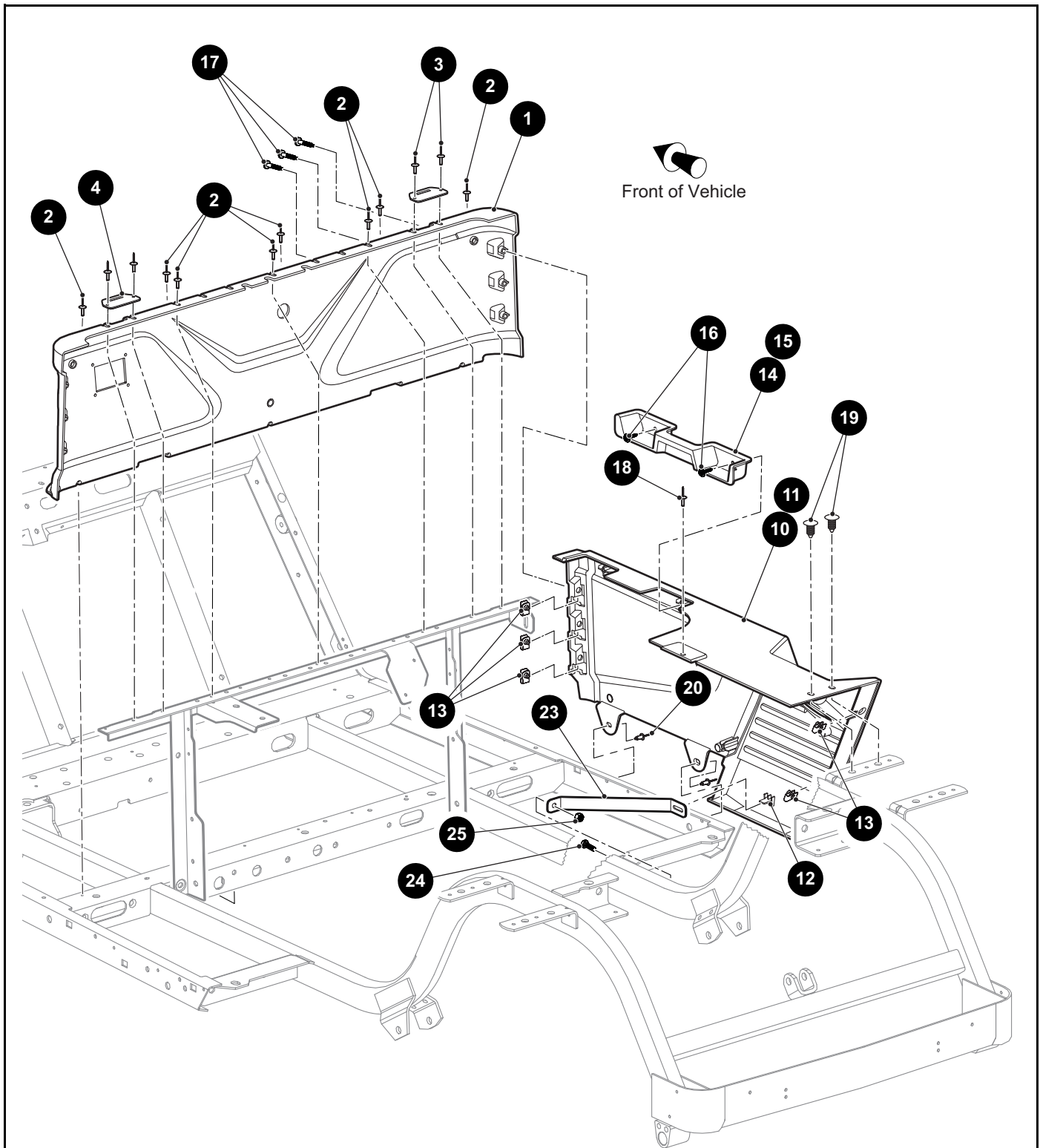
# BODY





THE USE OF NON U.L. PARTS WILL VOID ANY U.L. LISTING.  
 When ordering parts, please specify the model and serial number of the product.  
 \* Indicates a component that is not available as an individual part.  
 \*\*\* Indicates consult Customer Service Department for additional information.

ITEM	PART NO.	1 2 3 4 5	DESCRIPTION	QTY.
1	<u>651764G01</u>		UPPER FLOOR MAT .....	1
2	<u>651764G03</u>		UPPER FLOOR MAT .....	1
3	<u>70135G01</u>		PEDAL PIVOT COVER .....	1
4	<u>605694</u>		SEAT FRAME .....	1
5	<u>00715G2</u>		HEX WASHER HEAD SCREW, 5/16" - 18 X .8" LG .....	2
6				
7	<u>674546G01</u>		LARGE FRONT FENDER FLARE (DRIVER SIDE) .....	1
8	<u>674546G02</u>		LARGE FRONT FENDER FLARE (PASSENGER SIDE) .....	1
9				
10	<u>654378G01</u>		SMALL FRONT FENDER FLARE (DRIVER SIDE) .....	1
11	<u>654378G02</u>		SMALL FRONT FENDER FLARE (PASSENGER SIDE) .....	1
12				
13	<u>615239</u>		ROCKER PANEL (DRIVER SIDE) .....	1
14	<u>617333</u>		ROCKER PANEL (PASSENGER SIDE) .....	1
15	<u>15058G6</u>		RIVET (ALUMINUM), 3/16" X .95" LG .....	2
16	<u>645323</u>		PAN WASHER HEAD TORX SCREW, M6 - 1 X 23.4MM LG .....	4
17	<u>23726G4</u>		SPACER, .5" O.D. X .38" I.D. X .325" LG .....	4
18	<u>601476</u>		FLANGED LOCK NUT, M6 - 1 .....	4
19	<u>71055G02</u>		ALUMINUM RIVET, 3/16" X .38" LG .....	4
20	<u>18436G1</u>		DRIVE RIVET, 1/4" X 3/4" .....	3
21	<u>655917G01</u>		UPPER ROCKER PANEL (DRIVER SIDE) .....	1
22	<u>655917G02</u>		UPPER ROCKER PANEL (PASSENGER SIDE) .....	1
23	<u>655917G03</u>		UPPER ROCKER PANEL WITH FENDER FLARE MOUNTING HOLES (DRIVER SIDE) .....	1
24	<u>655917G04</u>		UPPER ROCKER PANEL WITH FENDER FLARE MOUNTING HOLES (PASSENGER SIDE) .....	1

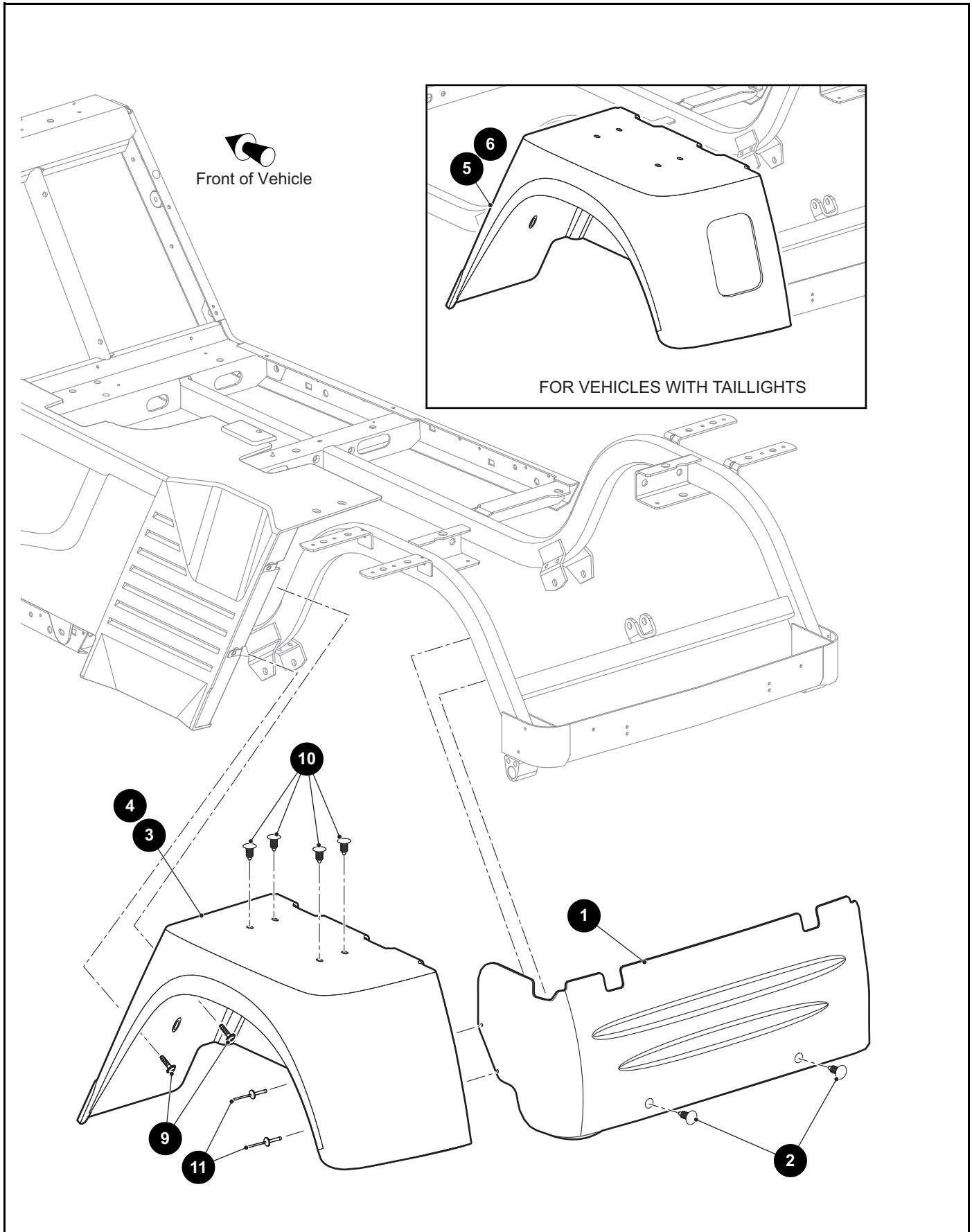


**8** SIDE PANEL (DRIVER SIDE) includes items 10, 12 - 13

**9** SIDE PANEL (PASSENGER SIDE) includes items 11- 13

THE USE OF NON U.L. PARTS WILL VOID ANY U.L. LISTING.  
 When ordering parts, please specify the model and serial number of the product.  
 \* Indicates a component that is not available as an individual part.  
 \*\*\* Indicates consult Customer Service Department for additional information.

ITEM	PART NO.	1 2 3 4 5	DESCRIPTION	QTY.
1	<u>649251G02</u>		SEAT WRAP .....	1
2	<u>10570G10</u>		RIVET (SS), 5/32" X .55" LG .....	8
3	<u>10570G11</u>		RIVET (SS), 3/16" X .7" LG .....	2
4	<u>71609G01</u>		SEAT HINGE PLATE .....	1
5				
6				
7				
8	<u>652716G01</u>		SIDE PANEL (DRIVER SIDE) (INCLUDES ITEMS 10, 12 - 13) .....	1
9	<u>652716G02</u>		SIDE PANEL (PASSENGER SIDE) (INCLUDES ITEMS 11 - 13) .....	1
10	<u>649388G01</u>		SIDE PANEL (DRIVER SIDE) .....	1
11	<u>649388G02</u>		SIDE PANEL (PASSENGER SIDE) .....	1
12	<u>602184</u>		TRIM CLIP .....	1
13	<u>602409</u>		BARREL CLIP, M6 - 1 .....	5
14	<u>649657G01</u>		HIP RESTRAINT CLOSEOUT (DRIVER SIDE) .....	1
15	<u>649657G02</u>		HIP RESTRAINT CLOSEOUT (PASSENGER SIDE) .....	1
16	<u>613373</u>		PAN HEAD TORX TAPPING SCREW, M4.5 - 1.6 X 22MM LG .....	2
17	<u>634161</u>		BUTTON HEAD TORX SCREW, M6 - 1 X 30MM LG .....	6
18	<u>10570G10</u>		RIVET (SS), 5/32" X .55" LG .....	1
19	<u>16816G2</u>		RATCHET RIVET, .25" X .887" .....	2
20	<u>10570G12</u>		RIVET (ALUMINUM), 1/4" X .625" .....	2
21				
22				
23	<u>655654</u>		SIDE PANEL MOUNT BRACKET .....	1
24	<u>00438G8</u>		HEX HEAD BOLT, 5/16" - 18 X 1" LG .....	1
25	<u>11098G6</u>		LOCK NUT, 5/16" .....	1



THE USE OF NON U.L. PARTS WILL VOID ANY U.L. LISTING.  
 When ordering parts, please specify the model and serial number of the product.  
 \* Indicates a component that is not available as an individual part.  
 \*\*\* Indicates consult Customer Service Department for additional information.

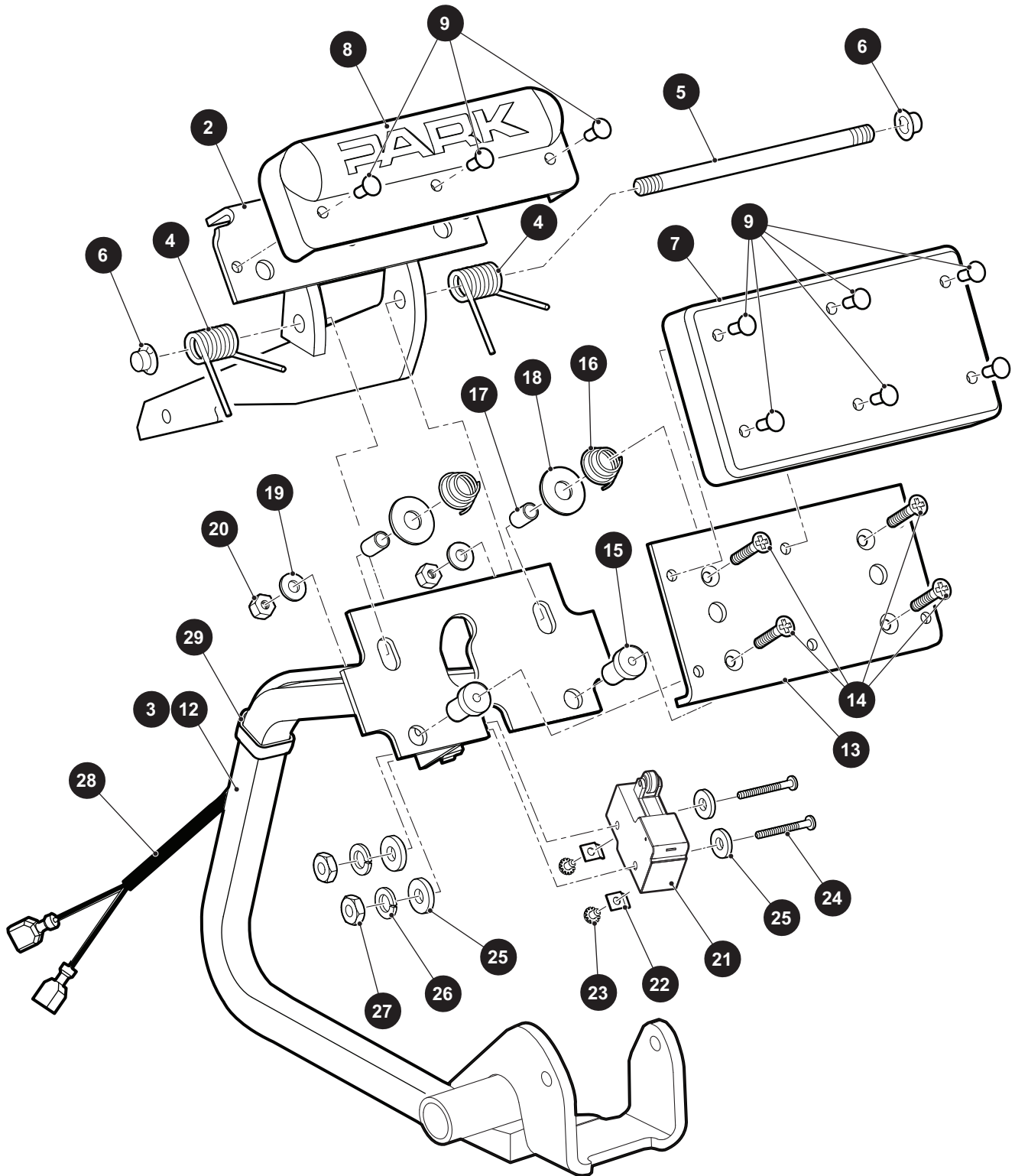
ITEM	PART NO.	1 2 3 4 5	DESCRIPTION	QTY.
1	<u>74890G01</u>		REAR VALANCE PANEL .....	1
2	<u>16816G2</u>		RATCHET RIVET, .25" X .887" .....	2
3	<u>74892G01</u>		REAR FENDER WITHOUT TAILLIGHT (DRIVER SIDE) .....	1
4	<u>74892G02</u>		REAR FENDER WITHOUT TAILLIGHT (PASSENGER SIDE) .....	1
5	<u>74892G03</u>		REAR FENDER WITH TAILLIGHT (DRIVER SIDE) .....	1
6	<u>74892G04</u>		REAR FENDER WITH TAILLIGHT (PASSENGER SIDE) .....	1
7				
8				
9	<u>612635</u>		PAN WASHER HEAD TORX SCREW, M6 - 1 X 20MM LG .....	2
10	<u>16816G2</u>		RATCHET RIVET, .25" X .887" .....	4
11	<u>71055G01</u>		RIVET (ALUMINUM), 3/16" X 1 1/8" LG .....	2





# BRAKES

- 1 BRAKE PEDAL ASSEMBLY (WITHOUT LIGHT) includes items 2 - 9
- 11 BRAKE PEDAL ASSEMBLY (WITH LIGHT) includes items 2, 4 - 9, 12 - 29





# BRAKES

THE USE OF NON U.L. PARTS WILL VOID ANY U.L. LISTING.  
 When ordering parts, please specify the model and serial number of the product.  
 \* Indicates a component that is not available as an individual part.  
 \*\*\* Indicates consult Customer Service Department for additional information.

ITEM	PART NO.	1 2 3 4 5	DESCRIPTION	QTY.
1	<u>651213G01</u>		BRAKE PEDAL ASSEMBLY (WITHOUT LIGHT) (INCLUDES ITEMS 2 - 9) .....	1
2	<u>652253G03</u>		PARK BRAKE PEDAL WELDMENT .....	1
3	651207G0003		BRAKE PEDAL WELDMENT (WITHOUT LIGHTS) .....	1
4	<u>70681G01</u>		TORSION SPRING .....	2
5	<u>70682G01</u>		PIVOT PIN, .314" DIA X 5.25" LG .....	1
6	<u>658825</u>		PUSH NUT, 5/16" - 24 .....	2
7	<u>70257G01</u>		BRAKE PAD .....	1
8	<u>70256G01</u>		PARK BRAKE PAD .....	1
9	<u>16409G1</u>		OVAL RIVET, .375" X .468" LG .....	9
10				
11	<u>651213G02</u>		BRAKE PEDAL ASSEMBLY (WITH LIGHT) (INCLUDES ITEMS 2, 4 - 9, 12 - 29) .....	1
12	651207G0103		BRAKE PEDAL (WITH LIGHTS) .....	1
13	<u>652820</u>		BRAKE PEDAL PLATE .....	1
14	<u>00737G8</u>		FLAT HEAD PHILLIPS SCREW, #10 - 24 X .875" LG .....	4
15	<u>00739G1</u>		WELL NUT (RUBBER), #10 - 24 .....	2
16	<u>27137G01</u>		CONICAL SPRING .....	2
17	<u>652355</u>		BRAKE PEDAL SPACER .....	2
18	<u>00642G8</u>		FLAT WASHER, 5/16" .....	2
19	<u>00559G5</u>		FLAT WASHER, #10 .....	2
20	<u>14390G10</u>		LOCK NUT, #10 - 24 .....	2
21	10606G8		MICRO SWITCH .....	1
22	<u>14628G1</u>		FASTON TAB .....	2
23	<u>13514G1</u>		PAN HEAD PHILLIPS SCREW WITH INTERNAL TOOTH LOCK WASHER, #6 - 32 X .22" LG .....	2
24	<u>00645G2</u>		PAN HEAD PHILLIPS SCREW, #6 - 32 X 1.25" LG .....	2
25	<u>00559G3</u>		FLAT WASHER, #6 .....	4
26	<u>00565G3</u>		LOCK WASHER, #6 .....	2
27	<u>00525G5</u>		LOCK NUT, #6 - 32 .....	2
28	<u>24605G1</u>		WIRE HARNESS (BRAKE LIGHT) .....	1
29	<u>17618G1</u>		WIRE TIE .....	2



# BRAKES

THE USE OF NON U.L. PARTS WILL VOID ANY U.L. LISTING.

When ordering parts, please specify the model and serial number of the product.

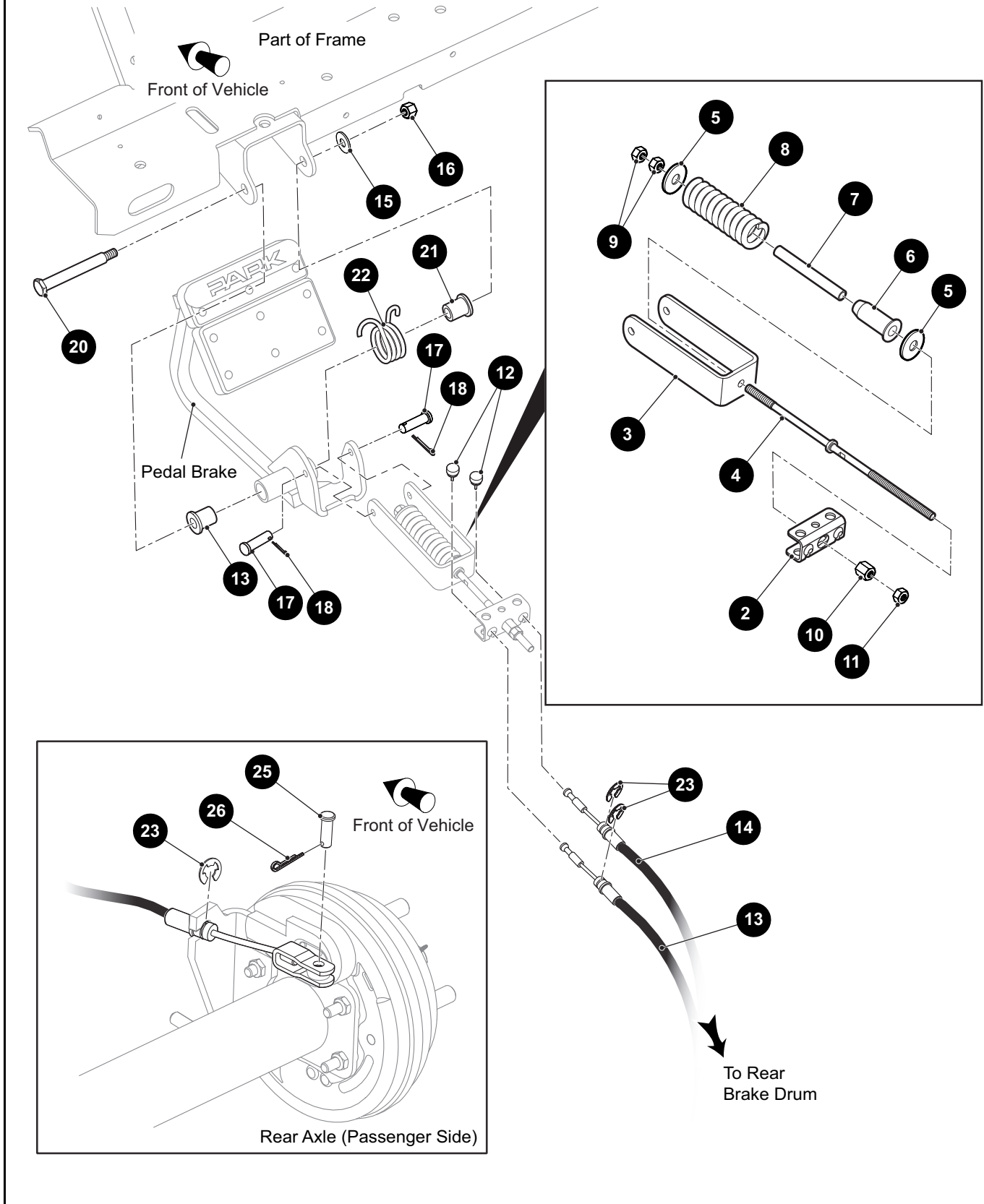
\* Indicates a component that is not available as an individual part.

\*\*\* Indicates consult Customer Service Department for additional information.

ITEM	PART NO.	1 2 3 4 5	DESCRIPTION	QTY.
1	<u>651213G03</u>		BRAKE PEDAL ASSEMBLY (WITHOUT LIIGHT) (4 WHEEL DRUM BRAKES) (INCLUDES ITEMS 2 - 10) .....	1
2	<u>660528G03</u>		PARK BRAKE PEDAL WELDMENT .....	1
3	<u>651207G0003</u>		BRAKE PEDAL WELDMENT (WITHOUT LIGHTS) .....	1
4	<u>70681G01</u>		TORSION SPRING .....	2
5	<u>70682G01</u>		PIVOT PIN, .314" DIA X 5.25" LG .....	1
6	<u>658825</u>		PUSH NUT, 5/16" - 24 .....	2
7	<u>70257G01</u>		BRAKE PAD .....	1
8	<u>665987</u>		PARK BRAKE PAD .....	1
9	<u>16409G1</u>		OVAL RIVET, .375" X .468" LG .....	9
10	<u>665556</u>		DECAL (MULTI LATCH PLATE).....	1
11	<u>651213G04</u>		BRAKE PEDAL ASSEMBLY (WITH LIIGHT) (4 WHEEL DRUM BRAKES) (INCLUDES ITEMS 2, 4 - 10, 12 - 29) .....	1
12	<u>651207G0103</u>		BRAKE PEDAL (WITH LIGHTS) .....	1
13	<u>652820</u>		BRAKE PEDAL PLATE .....	1
14	<u>00737G8</u>		FLAT HEAD PHILLIPS SCREW, #10 - 24 X .875" LG .....	4
15	<u>00739G1</u>		WELL NUT (RUBBER), #10 - 24 .....	2
16	<u>27137G01</u>		CONICAL SPRING .....	2
17	<u>652355</u>		BRAKE PEDAL SPACER .....	2
18	<u>00642G8</u>		FLAT WASHER, 5/16" .....	2
19	<u>00559G5</u>		FLAT WASHER, #10 .....	2
20	<u>14390G10</u>		LOCK NUT, #10 - 24 .....	2
21	<u>10606G8</u>		MICRO SWITCH .....	1
22	<u>14628G1</u>		FASTON TAB .....	2
23	<u>13514G1</u>		PAN HEAD PHILLIPS SCREW WITH INTERNAL TOOTH LOCK WASHER, #6 - 32 X .22" LG .....	2
24	<u>00645G2</u>		PAN HEAD PHILLIPS SCREW, #6 - 32 X 1.25" LG .....	2
25	<u>00559G3</u>		FLAT WASHER, #6 .....	4
26	<u>00565G3</u>		LOCK WASHER, #6 .....	2
27	<u>00525G5</u>		LOCK NUT, #6 - 32 .....	2
28	<u>24605G1</u>		WIRE HARNESS (BRAKE LIGHT) .....	1
29	<u>17618G1</u>		WIRE TIE .....	2

# BRAKES

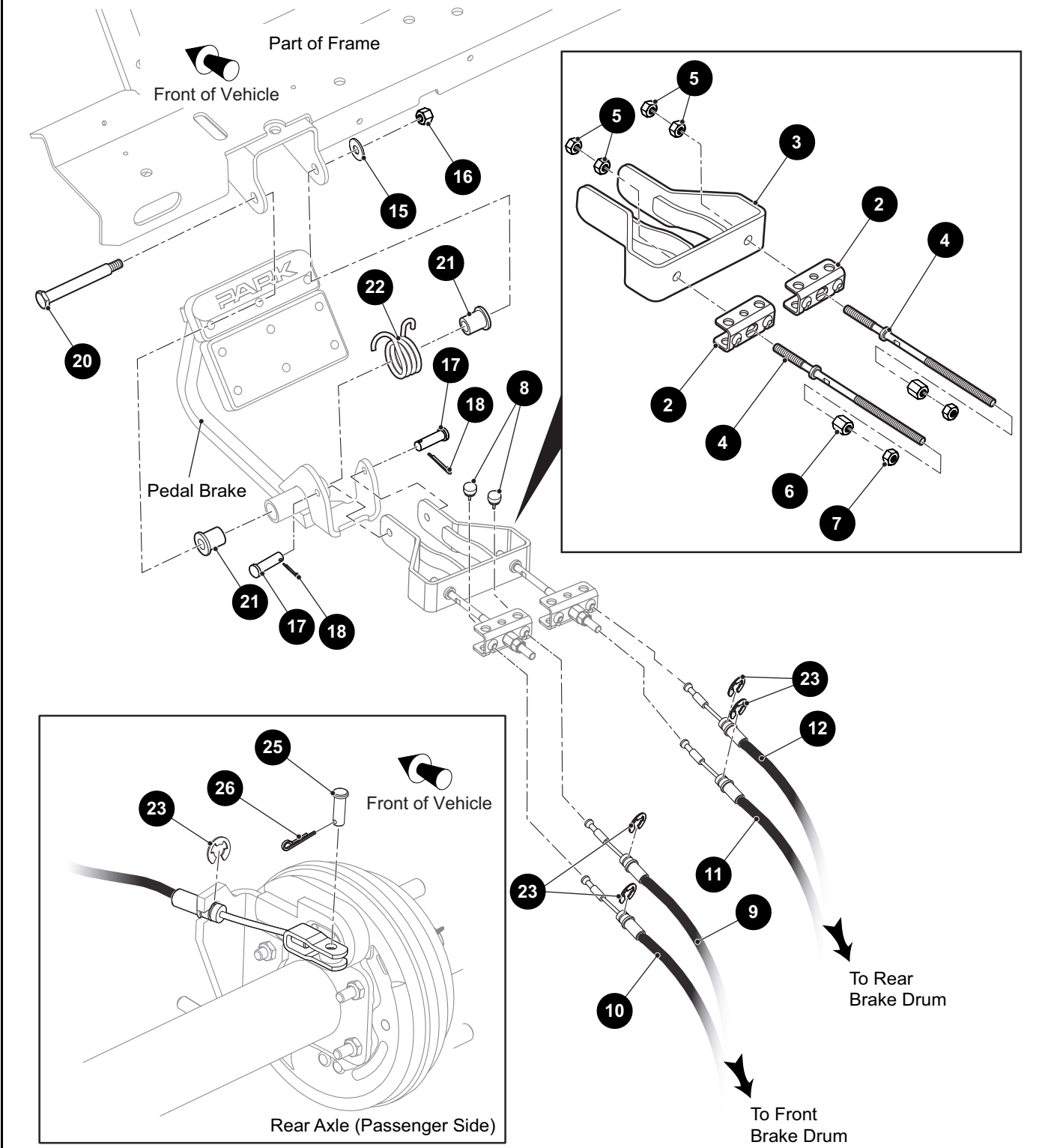
1 COMPENSATOR ASSEMBLY (2 WHEEL DRUM BRAKES) includes items 2 - 14



THE USE OF NON U.L. PARTS WILL VOID ANY U.L. LISTING.  
 When ordering parts, please specify the model and serial number of the product.  
 \* Indicates a component that is not available as an individual part.  
 \*\*\* Indicates consult Customer Service Department for additional information.

ITEM	PART NO.	1 2 3 4 5	DESCRIPTION	QTY.
1	<u>651204G02</u>		COMPENSATOR ASSEMBLY (2 WHEEL DRUM BRAKES) (INCLUDES ITEM 2 - 14) .....	1
2	<u>651072</u>		BRAKE DRUM EQUALIZER .....	1
3	<u>651070</u>		BRAKE DRUM YOKE .....	1
4	<u>612557</u>		COMPENSATOR LINK ROD, 10.5" LG .....	1
5	<u>15121G1</u>		FLAT WASHER, 3/8" .....	2
6	<u>17979G1</u>		BUSHING, .464" I.D. X 1" O.D. X 2" LG .....	1
7	<u>23061G2</u>		TUBE, .315" I.D. X .44" O.D. X 3.66" LG .....	1
8	<u>23463G1</u>		COMPRESSION SPRING, 1.28" DIA X 4.06" LG .....	1
9	<u>00532G4</u>		HEX NUT, 5/16" - 24 .....	2
10	<u>629486</u>		SPHERICAL HEX NUT, 5/16"- 24 .....	1
11	<u>11098G9</u>		HEX LOCK NUT, 5/16" - 24 .....	1
12	<u>28083G01</u>		COMPENSATOR BUMPER, .56" DIA .....	2
13	<u>624697</u>		BRAKE CABLE, 48.06" LG .....	1
14	<u>624698</u>		BRAKE CABLE, 57.81" LG .....	1
15	<u>00643G1</u>		FLAT WASHER, 3/8" .....	1
16	<u>11098G5</u>		LOCK NUT, 3/8" - 16 .....	1
17	<u>10386G3</u>		CLEVIS PIN, .313" X .84" LG .....	2
18	<u>10387G3</u>		COTTER PIN, .094" X .75" .....	2
19				
20	<u>70582G01</u>		SHOULDER BOLT, .495 DIA X 3/8" - 16 THREAD X 3.406" LG .....	1
21	<u>70581G01</u>		BUSHING (ACETAL), .51" I.D. X .795" O.D. X .75" LG .....	2
22	<u>70676G01</u>		TORSION SPRING 1.34" DIA .....	1
23	<u>01111G01</u>		RETAINING RING, .8" O.D. X .39" I.D. X .42" LG .....	4
24				
25	<u>10386G3</u>		CLEVIS PIN, .313" X .84" LG .....	2
26	<u>10387G3</u>		COTTER PIN, .094" X .75" .....	2
27				
28	<u>12416G2</u>		WEDGE CLAMP (NYLON), 11.8" LG (NOT ILLUSTRATED) .....	5

**1** COMPENSATOR ASSEMBLY (4 WHEEL DRUM BRAKES) includes items 2 - 12



**13** EQUILIZER AND BRAKE CABLE ASSEMBLY includes items 2, 8 - 10

# BRAKES

THE USE OF NON U.L. PARTS WILL VOID ANY U.L. LISTING.

When ordering parts, please specify the model and serial number of the product.

\* Indicates a component that is not available as an individual part.

\*\*\* Indicates consult Customer Service Department for additional information.

ITEM	PART NO.	1 2 3 4 5	DESCRIPTION	QTY.
1	<u>651204G01</u>		COMPENSATOR ASSEMBLY (4 WHEEL DRUM BRAKES) (INCLUDES ITEM 2 - 12).....	1
2	<u>651072</u>		BRAKE DRUM EQUALIZER .....	1
3	<u>661816</u>		YOKE WELDMENT .....	1
4	<u>661536</u>		COMPENSATOR LINK ROD, 6.91" LG .....	2
5	<u>00532G4</u>		HEX NUT, 5/16" - 24 .....	4
6	<u>629486</u>		SPHERICAL HEX NUT, 5/16"- 24 .....	2
7	<u>11098G9</u>		HEX LOCK NUT, 5/16" - 24 .....	2
8	<u>28083G01</u>		COMPENSATOR BUMPER, .56" DIA .....	4
9	<u>624697</u>		FRONT BRAKE CABLE, 48.06" LG (DRIVER SIDE).....	1
10	<u>624698</u>		FRONT BRAKE CABLE, 57.81" LG (DRIVER SIDE).....	1
11	<u>652751</u>		REAR BRAKE CABLE, 98" LG (PASSENGER SIDE).....	1
12	<u>652752</u>		REAR BRAKE CABLE, 103" LG (PASSENGER SIDE).....	1
13	<u>624711</u>		EQUILIZER AND BRAKE CABLE ASSEMBLY INCLUDES ITEMS (2, 8 - 10)	1
14				
15	<u>00643G1</u>		FLAT WASHER, 3/8" .....	1
16	<u>11098G5</u>		LOCK NUT, 3/8" - 16 .....	1
17	<u>10386G3</u>		CLEVIS PIN, .313" X .84" LG .....	2
18	<u>10387G3</u>		COTTER PIN, .094" X .75" .....	2
19				
20	<u>70582G01</u>		SHOULDER BOLT, .495 DIA X 3/8" - 16 THREAD X 3.406" LG.....	1
21	<u>70581G01</u>		BUSHING (ACETAL), .51" I.D. X .795" O.D. X .75" LG .....	2
22	<u>70676G01</u>		TORSION SPRING 1.34" DIA .....	1
23	<u>01111G01</u>		RETAINING RING, .8" O.D. X .39" I.D. X .42" LG .....	8
24				
25	<u>10386G3</u>		CLEVIS PIN, .313" X .84" LG .....	2
26	<u>10387G3</u>		COTTER PIN, .094" X .75" .....	2
27				
28	<u>12416G2</u>		WEDGE CLAMP (NYLON), 11.8" LG (NOT ILLUSTRATED) .....	5
29	<u>660369</u>		DOUBLE TUBE CLAMP, 1" (NOT ILLUSTRATED) .....	1
30	<u>70200G01</u>		TRUSS HEAD TORX SCREW, 3/8" - 16 X 3/4" LG (NOT ILLUSTRATED).....	1





THE USE OF NON U.L. PARTS WILL VOID ANY U.L. LISTING.

When ordering parts, please specify the model and serial number of the product.

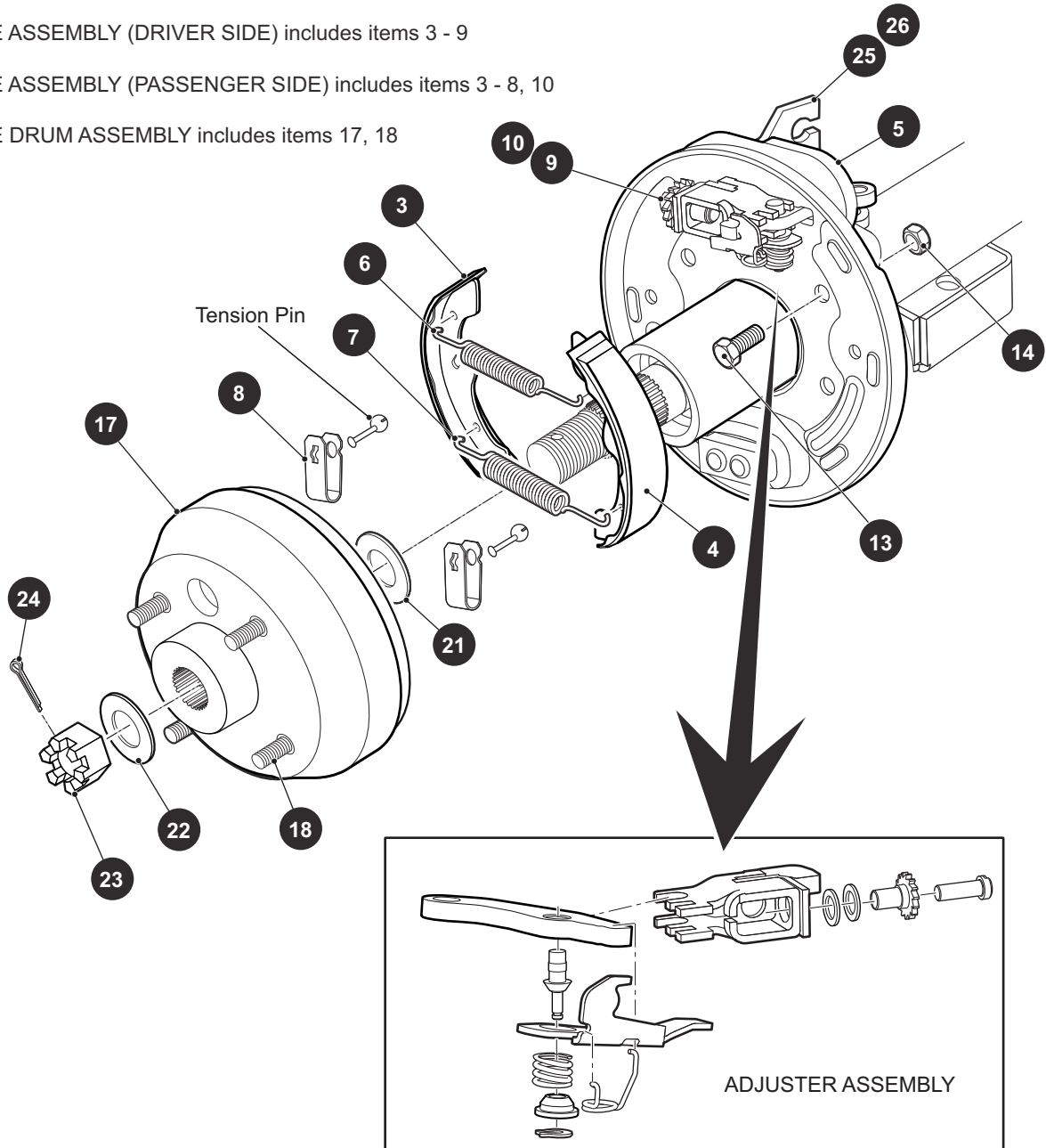
\* Indicates a component that is not available as an individual part.

\*\*\* Indicates consult Customer Service Department for additional information.

ITEM	PART NO.	1 2 3 4 5	DESCRIPTION	QTY.
1	<u>70080G02</u>		HILL BRAKE CATCH BRACKET .....	1
2	<u>00414G6</u>		HEX HEAD BOLT, 1/4" - 20 X .75" LG .....	2
3	<u>14390G4</u>		LOCK NUT, 1/4" - 20 .....	2
4	<u>70587G01</u>		PARK BRAKE CAM .....	1
5	<u>10097G6</u>		FLANGED BEARING .502 O.D. X .378 I.D. X .380 LG .....	2
6	<u>14134G4</u>		SPACER, .76" O.D. X .405" I.D. X 1.25" LG .....	1
7	<u>71215G01</u>		SQUARE HEAD SET SCREW WITH PATCH LOCK, 1/4" - 20 X .5" LG .....	2
8				
9				
10	<u>70113G01</u>		ADJUSTABLE RUBBER BUMPER .....	1
11	<u>11027G1</u>		FLANGED LOCK NUT, 5/16" - 18 .....	1
12	<u>70098G01</u>		KICK-OFF CAM PIVOT .....	1
13	<u>70601G01</u>		KICK-OFF LINKAGE ROD .....	1
14	<u>00559G8</u>		FLAT WASHER, 1/4" - 20 .....	2
15	<u>20835G1</u>		WASHER, .62" O.D. X .39" I.D. X .135" LG .....	2
16	<u>17838G1</u>		FLANGED NYLINER BUSHING, .374" O.D. X .313" I.D. X .312" LG .....	2
17	<u>10387G3</u>		COTTER PIN, .094" X .75" .....	2

## REAR MECHANICAL BRAKES

- 1 BRAKE ASSEMBLY (DRIVER SIDE) includes items 3 - 9
- 2 BRAKE ASSEMBLY (PASSENGER SIDE) includes items 3 - 8, 10
- 16 BRAKE DRUM ASSEMBLY includes items 17, 18



# BRAKES

THE USE OF NON U.L. PARTS WILL VOID ANY U.L. LISTING.

When ordering parts, please specify the model and serial number of the product.

\* Indicates a component that is not available as an individual part.

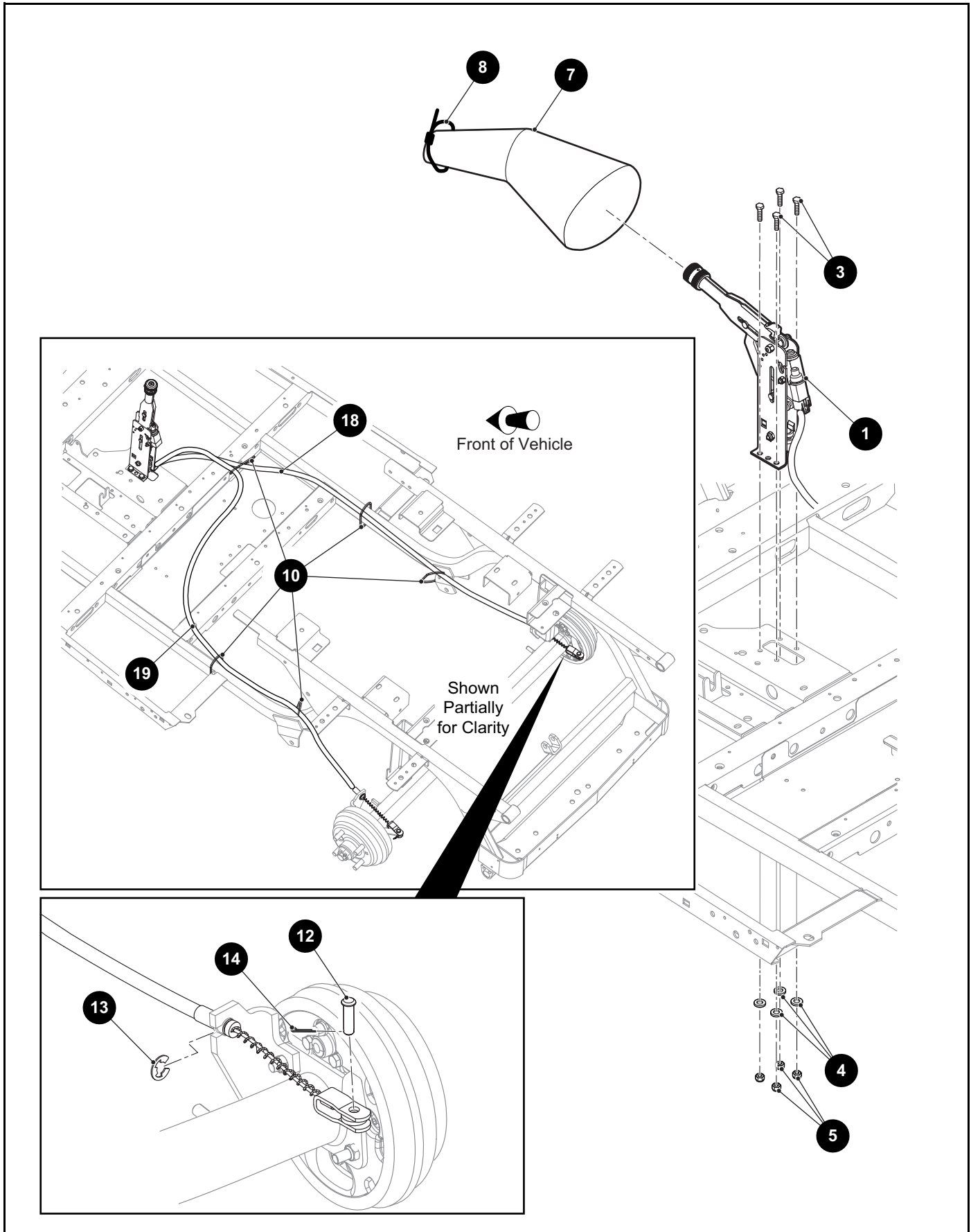
\*\*\* Indicates consult Customer Service Department for additional information.

ITEM	PART NO.	1 2 3 4 5	DESCRIPTION	QTY.
1	<u>612211</u>		BRAKE ASSEMBLY (DRIVER SIDE) (INCLUDES ITEMS 3 - 9) .....	1
2	<u>612189</u>		BRAKE ASSEMBLY (PASSENGER SIDE) (INCLUDES ITEMS 3 - 8, 10) .....	1
3	<u>612411</u>		BRAKE SHOE, LEADING .....	1
4	<u>612412</u>		BRAKE SHOE, TRAILING .....	1
5	<u>612413</u>		DUST COVER .....	1
6	<u>612415</u>		BRAKE SPRING, TOP .....	1
7	<u>612414</u>		BRAKE SPRING, BOTTOM .....	1
8	<u>612416</u>		SHOE CLAMP .....	2
9	<u>612418</u>		GEAR ADJUSTER (DRIVER SIDE) .....	1
10	<u>612417</u>		GEAR ADJUSTER (PASSENGER SIDE) .....	1
11				
12				
13	<u>17083G2</u>		HEX HEAD BOLT, 5/16" - 24 X 1" LG .....	8
14	<u>15126G1</u>		LOCK NUT, 5/16" - 24 .....	8
15				
16	<u>21807G2</u>		BRAKE DRUM ASSEMBLY (INCLUDES ITEMS 17, 18) .....	2
17	<u>20947G1</u>		BRAKE DRUM .....	1
18	<u>19862G2</u>		LUG BOLT, 1/2" - 20 X 1 3/16" LG .....	4
19				
20				
21	<u>21809G1</u>		FLAT WASHER, INNER WHEEL RIM, 1.31" O.D. X .85" I.D. ....	2
22	<u>606945</u>		FLAT WASHER - BRAKE DRUM, 1.75" O.D. X .89" I.D. ....	2
23	<u>613172</u>		CASTELLATED HEX NUT, 3/4" - 16 .....	2
24	<u>10387G1</u>		COTTER PIN, .125" X 1.50" LG .....	2
25	<u>652248</u>		BRAKE CABLE BRACKET (PASSENGER SIDE) .....	1
26	<u>652249</u>		BRAKE CABLE BRACKET (DRIVER SIDE) .....	1





# BRAKES



# BRAKES

THE USE OF NON U.L. PARTS WILL VOID ANY U.L. LISTING.

When ordering parts, please specify the model and serial number of the product.

\* Indicates a component that is not available as an individual part.

\*\*\* Indicates consult Customer Service Department for additional information.

ITEM	PART NO.	1 2 3 4 5	DESCRIPTION	QTY.
1	<u>652696</u>		PARK BRAKE LEVER (WITH CABLES) .....	1
2				
3	<u>00414G7</u>		HEX HEAD BOLT, 1/4" - 20 X 7/8" LG .....	4
4	<u>00559G7</u>		FLAT WASHER, 1/4" .....	4
5	<u>14390G4</u>		LOCK NUT, 1/4" - 20.....	4
6				
7	<u>627940</u>		PARKING BRAKE BOOT .....	1
8	<u>31539G1</u>		CLAMP (NYLON), 15.5" LG .....	1
9				
10	<u>17618G1</u>		CLAMP (NYLON), 8" LG .....	5
11				
12	<u>14443G3</u>		CLEVIS PIN, .311" X .998" LG.....	1
13	<u>01111G01</u>		RETAINING RING, .8" O.D. X .39" I.D. ....	1
14	<u>10387G3</u>		COTTER PIN, 3/32" X 3/4" .....	1
15				
16	<u>679072</u>		HARNESS (HYDRAULIC BRAKE) (NOT ILLUSTRATED) .....	1
17				
18	<u>649305</u>		PARK BRAKE CABLE, (PASSENGER SIDE), 61.3" LG .....	1
19	<u>649306</u>		PARK BRAKE CABLE, (DRIVER SIDE), 71.5" LG .....	1



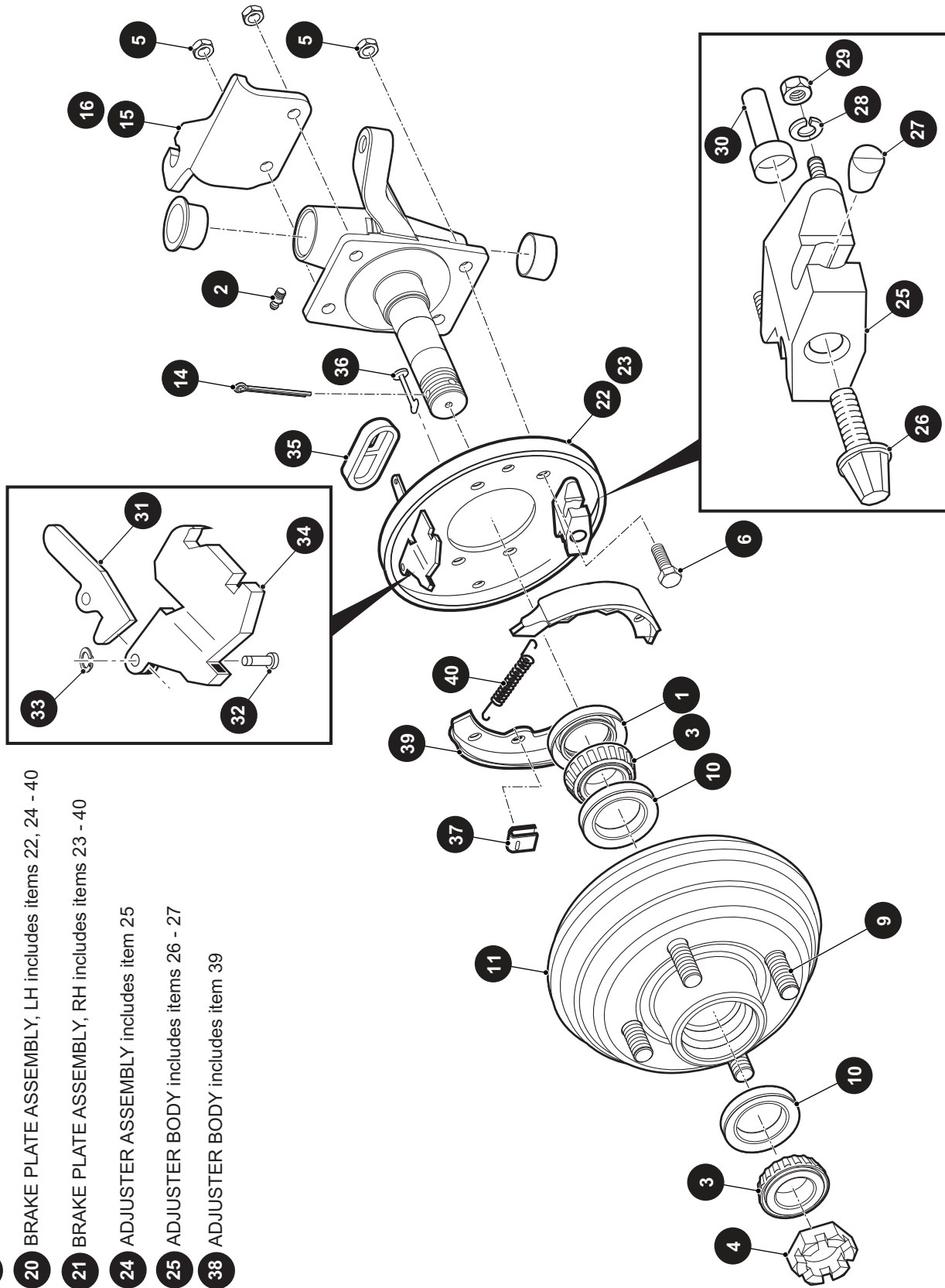


THE USE OF NON U.L. PARTS WILL VOID ANY U.L. LISTING.  
 When ordering parts, please specify the model and serial number of the product.  
 \* Indicates a component that is not available as an individual part.  
 \*\*\* Indicates consult Customer Service Department for additional information.

ITEM	PART NO.	1 2 3 4 5	DESCRIPTION	QTY.
1	<u>651149</u>		ROTOR AND HUB ASSEMBLY (INCLUDES ITEM 2 - 6) .....	1
2	647507		HUB .....	1
3	<u>647215</u>		DISC, 7.2" .....	1
4	<u>51141G1</u>		BEARING RACE .....	2
5	<u>19862G2</u>		WHEEL HUB BOLT, 1/2" - 20 X 1.718" LG .....	4
6	<u>651143</u>		BUTTON HEAD SOCKET SCREW, 1/4" - 28 X .75" LG .....	6
7	12093G1		HEX NUT (SLOTTED), #1 - 14 .....	1
8	<u>11750G2</u>		ROLLER BEARING .....	2
9	<u>25146G1</u>		GREASE SEAL .....	1
10	<u>00798G8</u>		COTTER PIN, 5/32" X 1 3/4" .....	1
11				
12	<u>12091G2</u>		SPINDLE CAP .....	1

FOR VEHICLES WITH MECHANICAL DRUM BRAKES

- 8 DRUM AND HUB ASSEMBLY includes items 9 - 11
- 20 BRAKE PLATE ASSEMBLY, LH includes items 22, 24 - 40
- 21 BRAKE PLATE ASSEMBLY, RH includes items 23 - 40
- 24 ADJUSTER ASSEMBLY includes item 25
- 25 ADJUSTER BODY includes items 26 - 27
- 38 ADJUSTER BODY includes item 39



\*The orientation will be different based on the vehicle model

THE USE OF NON U.L. PARTS WILL VOID ANY U.L. LISTING.

When ordering parts, please specify the model and serial number of the product.

\* Indicates a component that is not available as an individual part.

\*\*\* Indicates consult Customer Service Department for additional information.

ITEM	PART NO.	1 2 3 4 5	DESCRIPTION	QTY.
1	<u>25146G1</u>		SEAL.....	1
2	<u>10389G3</u>		GREASE FITTING .....	1
3	<u>11750G2</u>		ROLLER BEARING.....	2
4	12093G1		SLOTTED HEX NUT, 1" - 14.....	1
5	<u>15126G1</u>		LOCK NUT, 5/16" - 24.....	4
6	<u>17083G2</u>		HEX HEAD BOLT, 5/16" - 24 X 1" LG .....	4
7				
8	<u>652164</u>		DRUM AND HUB ASSEMBLY (INCLUDES ITEMS 9 - 11).....	1
9	<u>19862G2</u>		WHEEL HUB BOLT, 1/2 - 20 X 1.718" LG .....	4
10	<u>51141G1</u>		RACE BEARING .....	2
11	647535		HUB .....	1
12				
13				
14	00798G8		COTTER PIN, 5/32" X 1-3/4" LG .....	1
15	<u>648617G01</u>		BRAKE CABLE BRACKET (DRIVER SIDE).....	1
16	<u>648617G02</u>		BRAKE CABLE BRACKET (PASSENGER SIDE) .....	1
17				
18				
19				
20	<u>20938G1</u>		BRAKE ASSEMBLY, LH (INCLUDES ITEMS 22, 24 - 40) .....	1
21	<u>20938G2</u>		BRAKE ASSEMBLY, RH (INCLUDES ITEMS 23 - 40) .....	1
22	<u>22519G1</u>		BACKING PLATE, LH.....	1
23	<u>22518G1</u>		BACKING PLATE, RH .....	1
24	<u>22516G1</u>		ADJUSTER ASSEMBLY (INCLUDES ITEM 25).....	1
25	<u>22520G1</u>		ADJUSTER BODY (INCLUDES ITEMS 26 - 27) .....	1
26	<u>17287G1</u>		ADJUSTER BOLT.....	1
27	<u>17289G1</u>		PISTON ANCHOR .....	2
28	<u>00664G7</u>		LOCK WASHER, 1/4" (SS).....	2
29	<u>13632G1</u>		HEX NUT, 6MM .....	2
30	<u>17294G1</u>		ADJUSTING BOLT CAP.....	1
31	<u>22512G1</u>		ACTUATING LEVER .....	1

# BRAKES

THE USE OF NON U.L. PARTS WILL VOID ANY U.L. LISTING.

When ordering parts, please specify the model and serial number of the product.

\* Indicates a component that is not available as an individual part.

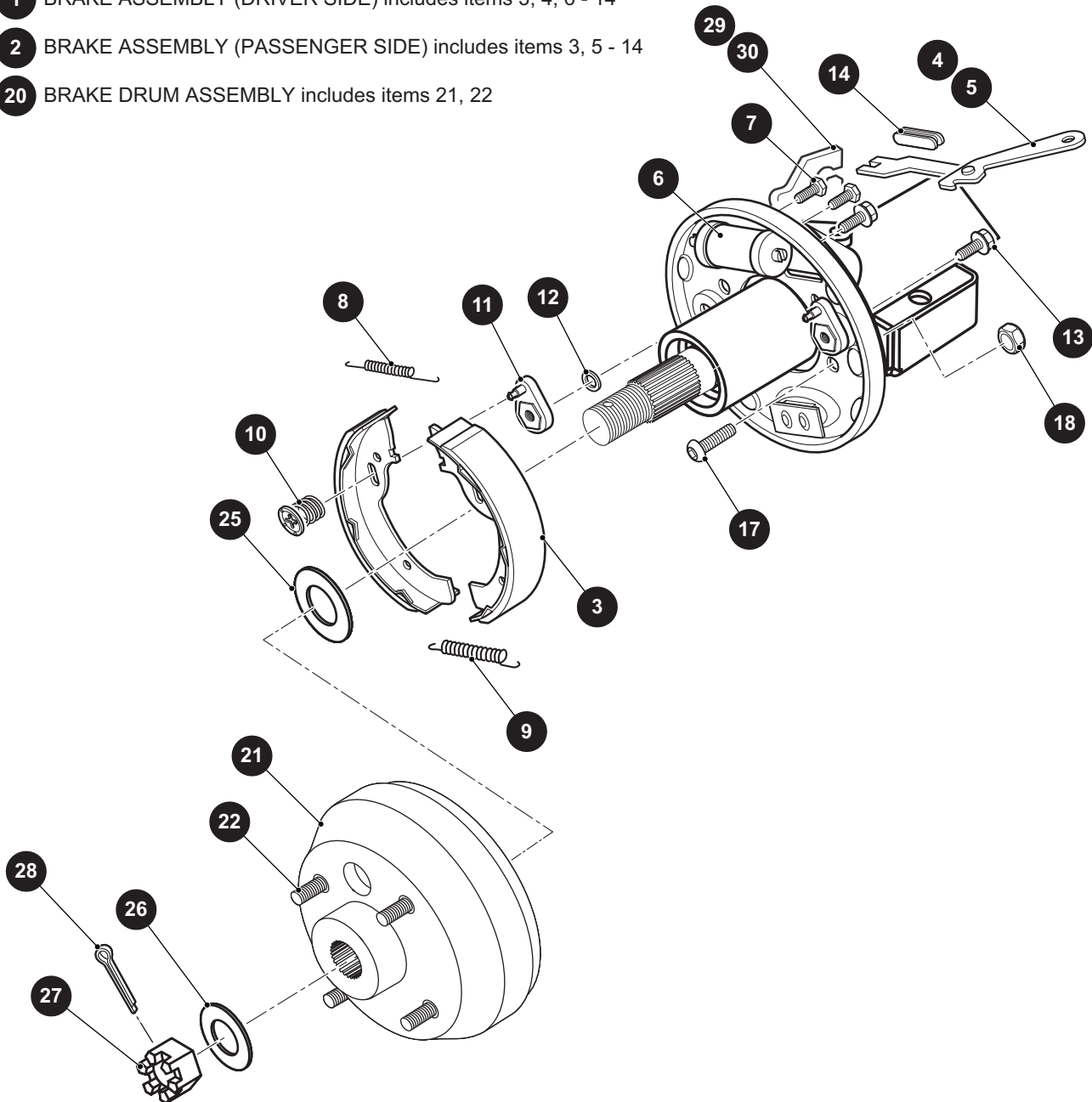
\*\*\* Indicates consult Customer Service Department for additional information.

ITEM	PART NO.	1	2	3	4	5	DESCRIPTION	QTY.
32	<u>22513G1</u>						LEVER PIN .....	1
33	<u>22514G1</u>						'U' CLIP .....	1
34	<u>22515G1</u>						SLIDING BLOCK.....	1
35	<u>22511G1</u>						DUST COVER.....	1
36	<u>17292G1</u>						TENSION PIN .....	2
37	<u>17291G1</u>						SPRING CLAMP .....	2
38	<u>23398G1</u>						BRAKE SHOE SET (INCLUDES ITEM 39).....	1
39	<u>23355G1</u>						BRAKE SHOE .....	2
40	17290G1						BRAKE SPRING .....	2



## REAR HYDRAULIC BRAKES

- 1 BRAKE ASSEMBLY (DRIVER SIDE) includes items 3, 4, 6 - 14
- 2 BRAKE ASSEMBLY (PASSENGER SIDE) includes items 3, 5 - 14
- 20 BRAKE DRUM ASSEMBLY includes items 21, 22



# BRAKES

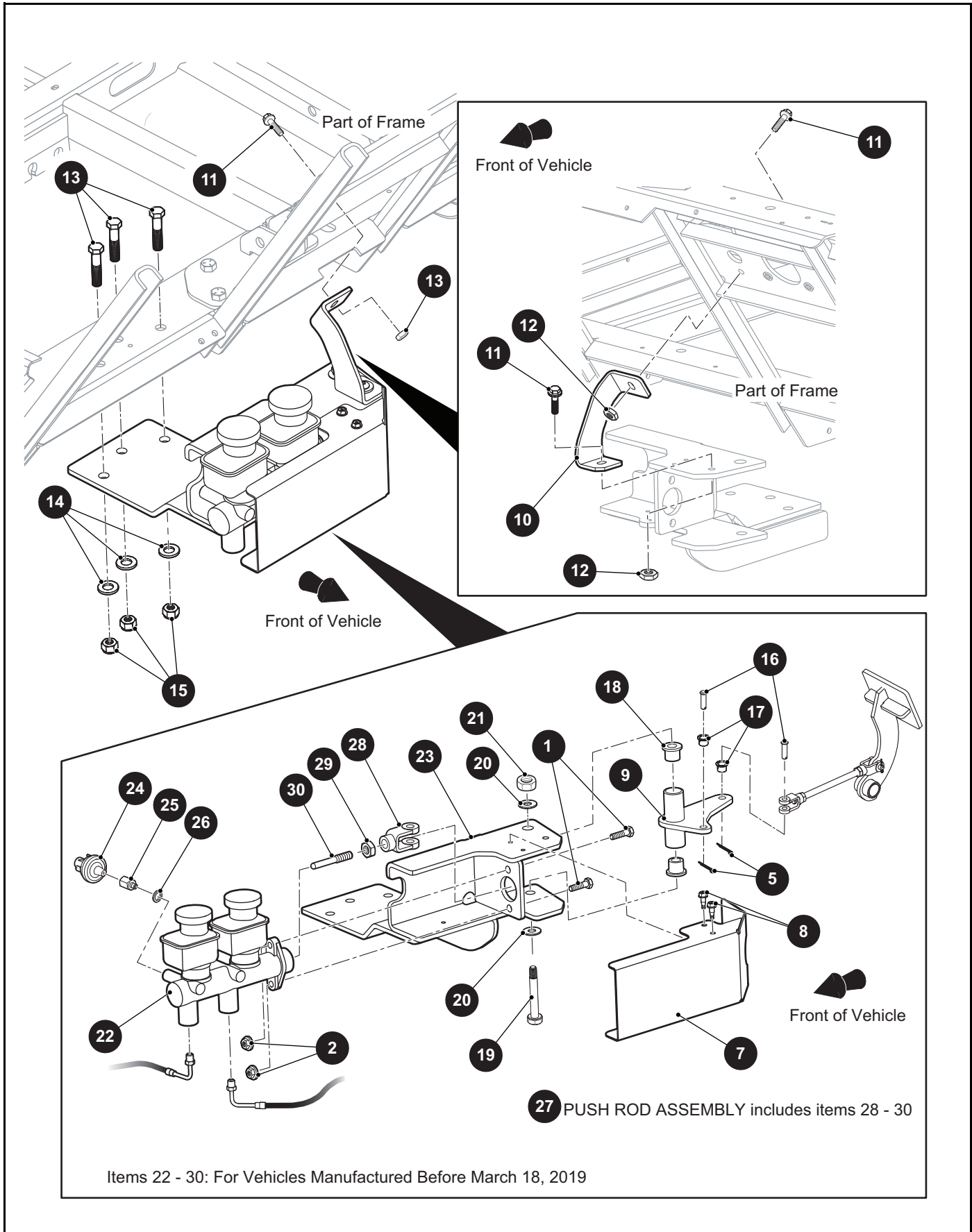
THE USE OF NON U.L. PARTS WILL VOID ANY U.L. LISTING.

When ordering parts, please specify the model and serial number of the product.

\* Indicates a component that is not available as an individual part.

\*\*\* Indicates consult Customer Service Department for additional information.

ITEM	PART NO.	1 2 3 4 5	DESCRIPTION	QTY.
1	<u>75685G01</u>		BRAKE ASSEMBLY (DRIVER SIDE) (INCLUDES ITEMS 3, 4, 6 - 14).....	1
2	<u>75685G02</u>		BRAKE ASSEMBLY (PASSENGER SIDE) (INCLUDES ITEMS 3, 5 - 14) .....	1
3	<u>75830G01</u>		BRAKE SHOE .....	2
4	<u>75829G01</u>		PARK BRAKE WHEEL LEVER (DRIVER SIDE) .....	1
5	<u>75829G02</u>		PARK BRAKE WHEEL LEVER (PASSENGER SIDE).....	1
6	<u>75828G01</u>		WHEEL CYLINDER.....	1
7	*		WHEEL CYLINDER BOLT.....	2
8	*		UPPER RETURN SPRING .....	1
9	*		LOWER RETURN SPRING.....	1
10	*		CUP AND SPRING.....	2
11	*		ADJUSTER.....	2
12	*		FLAT WASHER .....	2
13	*		HEX HEAD BOLT, 1/4" - 28 X 1/2" LG.....	2
14	*		DUST COVER .....	1
15	<u>75827G01</u>		HARDWARE KIT (INCLUDES 7 - 10, SERVICES BOTH WHEELS) .....	1
16	<u>75826G01</u>		ADJUSTER KIT (INCLUDES 11 - 14, SERVICES BOTH WHEELS) .....	1
17	<u>17083G2</u>		SOCKET HEAD BOLT, 5/16" - 24 X 1" LG.....	8
18	<u>15126G1</u>		LOCK NUT, 5/16" - 24.....	8
19				
20	<u>21807G2</u>		BRAKE DRUM ASSEMBLY (INCLUDES ITEMS 21, 22).....	2
21	<u>20947G1</u>		BRAKE DRUM.....	1
22	<u>19862G2</u>		LUG BOLT, 1/2" - 20 X 1 3/16" LG.....	4
23				
24				
25	<u>21809G1</u>		FLAT WASHER, INNER WHEEL RIM, 1.31" O.D. X .85" I.D.....	2
26	<u>606945</u>		FLAT WASHER - BRAKE DRUM, 1.75" O.D. X .89" I.D.....	2
27	<u>613172</u>		CASTELLATED HEX NUT, 3/4" - 16.....	2
28	<u>10387G1</u>		COTTER PIN, .125" X 1.50" LG .....	2
29	<u>652248</u>		BRAKE CABLE BRACKET (PASSENGER SIDE) .....	1
30	<u>652249</u>		BRAKE CABLE BRACKET (DRIVER SIDE).....	1

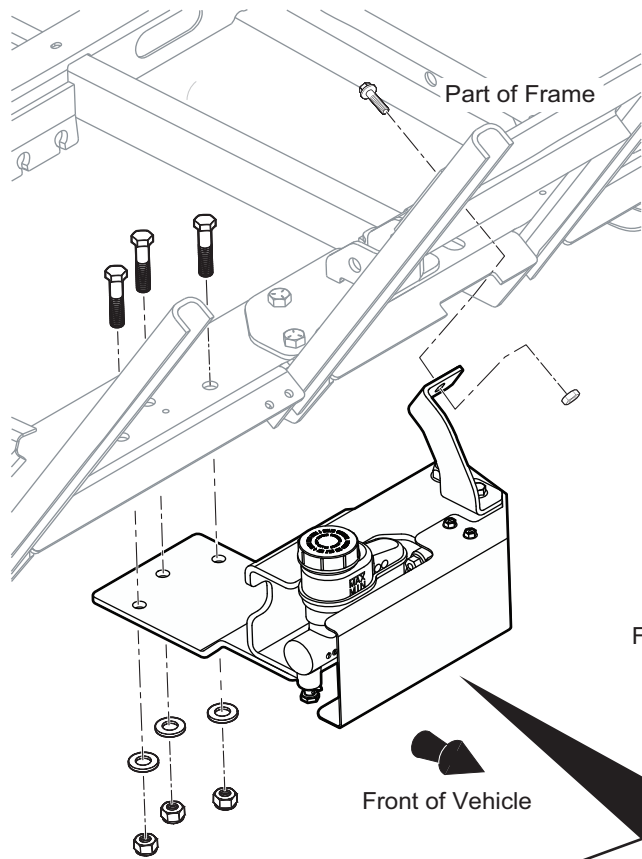




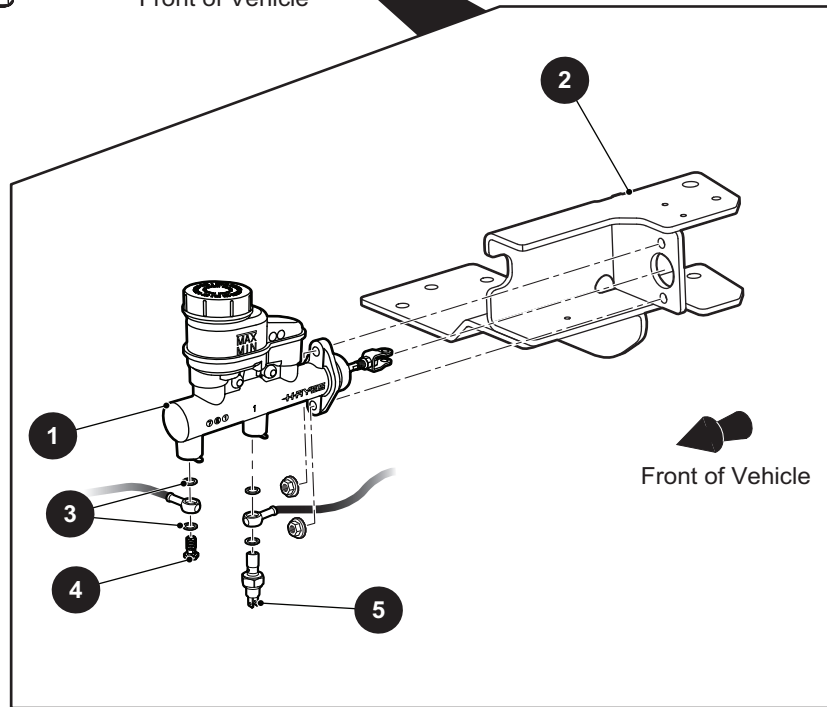
THE USE OF NON U.L. PARTS WILL VOID ANY U.L. LISTING.  
 When ordering parts, please specify the model and serial number of the product.  
 \* Indicates a component that is not available as an individual part.  
 \*\*\* Indicates consult Customer Service Department for additional information.

ITEM	PART NO.	1 2 3 4 5	DESCRIPTION	QTY.
1	<u>00439G1</u>		HEX HEAD BOLT, 5/16" - 18 X 1 1/8" LG. ....	2
2	<u>800697</u>		FLANGED HEX LOCK NUT, 5/16" - 18 .....	2
3				
4				
5	<u>10387G3</u>		COTTER PIN, 3/32" X 3/4" .....	2
6	<u>679072</u>		HARNES (HYDRAULIC BRAKE) (NOT ILLUSTRATED) .....	1
7	<u>649149</u>		MASTER CYLINDER COVER .....	1
8	<u>01038G01</u>		HEX WASHER HEAD SWAGEFORM SCREW, 1/4" - 20 X .70" LG .....	2
9	<u>649068</u>		BELL CRANK .....	1
10	<u>654555</u>		STIFFENER BRACKET .....	1
11	<u>13437G3</u>		FLANGED HEX HEAD BOLT, 5/16" - 18 X 1" LG .....	2
12	<u>11027G1</u>		FLANGED LOCK NUT, 5/16" - 18 .....	2
13	<u>00463G11</u>		HEX HEAD BOLT, 7/16" - 14 X 1 3/4" LG .....	3
14	<u>00560G2</u>		FLAT WASHER, 7/16" .....	3
15	<u>00734G1</u>		LOCK NUT, 7/16" - 14 .....	3
16	<u>14443G3</u>		CLEVIS PIN, .311" X .998" LG .....	2
17	<u>17838G1</u>		BUSHING (NYLINER), .374" O.D. X .313" I.D. X .312" LG .....	2
18	<u>70581G02</u>		BUSHING (ACETAL), .51" I.D. X .795" O.D. X .75" LG .....	2
19	<u>01040G01</u>		HEX HEAD BOLT, 1/2" - 13 X 5" LG .....	1
20	<u>00560G3</u>		FLAT WASHER (SS), 1/2" .....	2
21	<u>00551G1</u>		HEX NUT, 1/2" - 13 .....	1
			ITEMS 22 - 30: FOR VEHICLES MANUFACTURED BEFORE MARCH 18, 2019	
22	<u>73793G01</u>		MASTER CYLINDER .....	1
23	<u>649216</u>		MASTER CYLINDER MOUNTING BRACKET .....	1
24	<u>620274</u>		SWITCH (STOP LIGHT), 1.47" DIA .....	1
25	600401		ADAPTER, .56" X 1.05" LG .....	1
26	<u>600479</u>		WASHER (PRESSURE SEAL), M8 .....	1
27	<u>651077</u>		PUSH ROD ASSEMBLY (INCLUDES ITEMS 28 - 30) .....	1
28	<u>21508G1</u>		CLEVIS YOKE .....	1
29	<u>00532G6</u>		HEX NUT, 3/8" - 24 .....	1
30	<u>651076</u>		PUSH ROD, 3/8" - 24 X 3.21" LG .....	1

# BRAKES



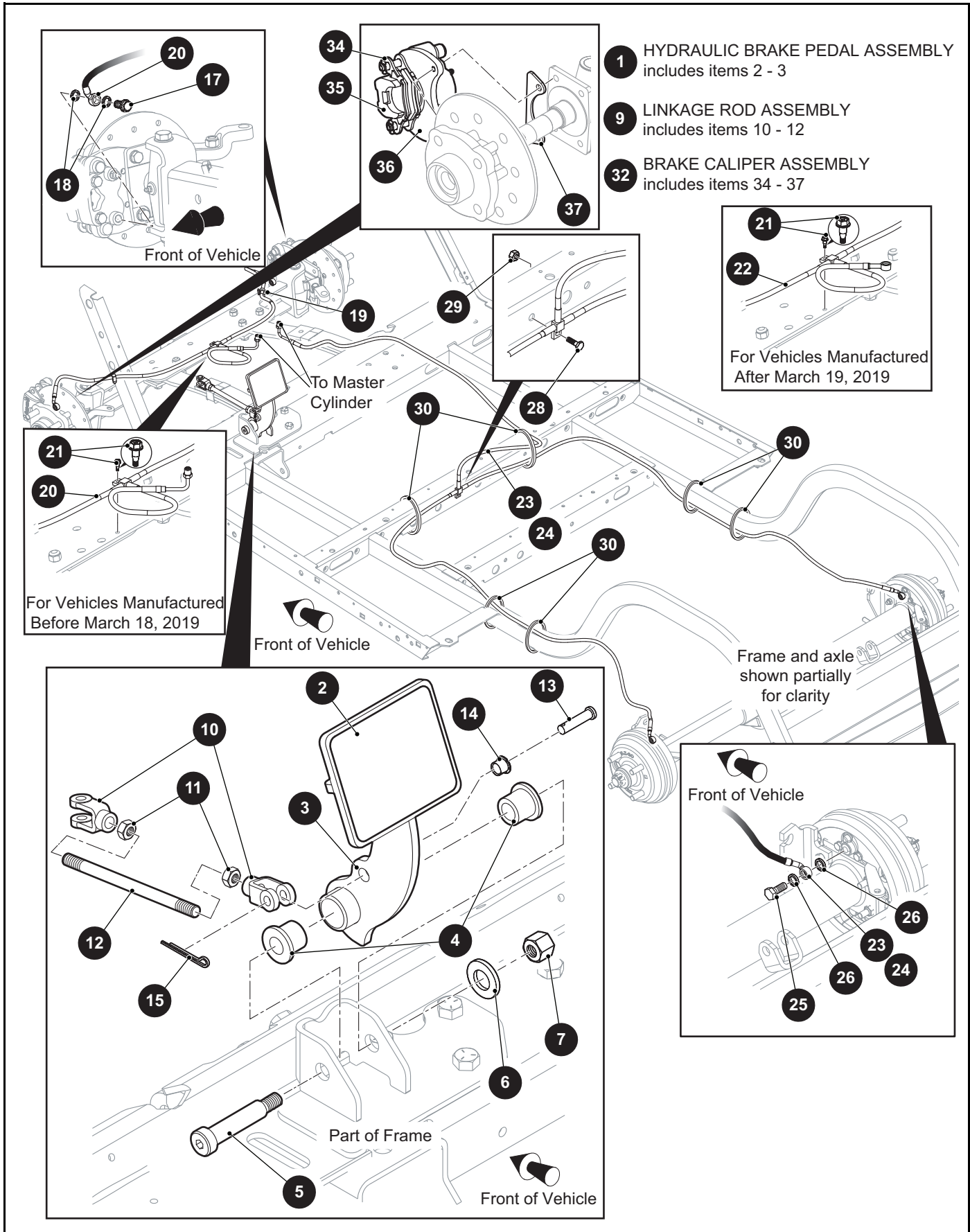
For Vehicles Manufactured After March 19, 2019



THE USE OF NON U.L. PARTS WILL VOID ANY U.L. LISTING.  
 When ordering parts, please specify the model and serial number of the product.  
 \* Indicates a component that is not available as an individual part.  
 \*\*\* Indicates consult Customer Service Department for additional information.

ITEM	PART NO.	1 2 3 4 5	DESCRIPTION	QTY.
			ITEMS 1 - 5: FOR VEHICLES MANUFACTURED AFTER MARCH 19, 2019	
1	668579		MASTER CYLINDER .....	1
2	671267		MASTER CYLINDER MOUNTING BRACKET .....	1
3	613293		CRUSH WASHER, M10 .....	4
4	<u>613292</u>		BANJO BOLT, M10 - 1.25 .....	2
5	<u>640820</u>		PRESSURE SWITCH (FOR VEHICLES WITH LIGHTS).....	1

# BRAKES



# BRAKES

THE USE OF NON U.L. PARTS WILL VOID ANY U.L. LISTING.

When ordering parts, please specify the model and serial number of the product.

\* Indicates a component that is not available as an individual part.

\*\*\* Indicates consult Customer Service Department for additional information.

ITEM	PART NO.	1 2 3 4 5	DESCRIPTION	QTY.
1	<u>651144</u>		HYDRAULIC BRAKE PEDAL ASSEMBLY (INCLUDES ITEM 2 - 3) .....	1
2	<u>640478</u>		PEDAL GRIP, 3.75" X 3.06" .....	1
3	<u>649865</u>		BRAKE PEDAL .....	1
4	<u>70581G02</u>		BUSHING (ACETAL), .51" I.D. X .795" O.D. X .75" LG .....	2
5	<u>635177</u>		SOCKET HEAD SHOULDER BOLT, 1/2" X 2", 3/8" - 16 X .5" LG.....	1
6	<u>00643G1</u>		FLAT WASHER, 1.015" O.D. X .421" I.D. X .071" LG .....	2
7	<u>11098G5</u>		LOCK NUT, 3/8" - 16.....	1
8				
9	<u>649072</u>		LINKAGE ROD ASSEMBLY (INCLUDES ITEMS 10 - 12) .....	1
10	<u>21508G1</u>		CLEVIS YOKE .....	2
11	<u>00532G6</u>		HEX NUT, 3/8" - 24.....	2
12	<u>649071</u>		LINKAGE ROD, 3/8" - 24 X 6.18" LG .....	1
13	<u>14443G3</u>		CLEVIS PIN, .311" X .998" LG.....	1
14	<u>17838G1</u>		BUSHING (NYLINER), .374" O.D. X .313" I.D. X .312" LG .....	1
15	<u>10387G3</u>		COTTER PIN, 3/32" X 3/4" .....	1
16				
17	<u>616459</u>		BANJO BOLT, M10 - 1 X 20MM LG .....	1
18	<u>613293</u>		CRUSH WASHER, M10.....	2
19	<u>74875G01</u>		WIRE RETAINER, .34" DIA.....	2
20	<u>649248</u>		BRAKE LINE (FRONT) (FOR VEHICLES MANUFACTURED BEFORE MARCH 18, 2019) .....	1
21	<u>01038G01</u>		HEX WASHER HEAD SWAGEFORM SCREW, 1/4" - 20 X .70" LG .....	1
22	<u>670635</u>		BRAKE LINE (FRONT) (FOR VEHICLES MANUFACTURED AFTER MARCH 19, 2019).....	1
23	<u>648521</u>		BRAKE LINE (REAR) (FOR VEHICLES MANUFACTURED BEFORE MARCH 18, 2019) .....	1
24	<u>674278G01</u>		BRAKE LINE (REAR) (FOR VEHICLES MANUFACTURED AFTER MARCH 19, 2019).....	1
25	<u>75683G01</u>		BANJO BOLT, 3/8" - 24 X .88" LG .....	1
26	<u>75684G01</u>		GASKET (COPPER), .391" I.D. X .625" O.D. X .062" LG.....	2
27				
28	<u>00414G5</u>		HEX HEAD BOLT, 1/4" - 20 X 1/2" LG .....	1

# BRAKES

THE USE OF NON U.L. PARTS WILL VOID ANY U.L. LISTING.

When ordering parts, please specify the model and serial number of the product.

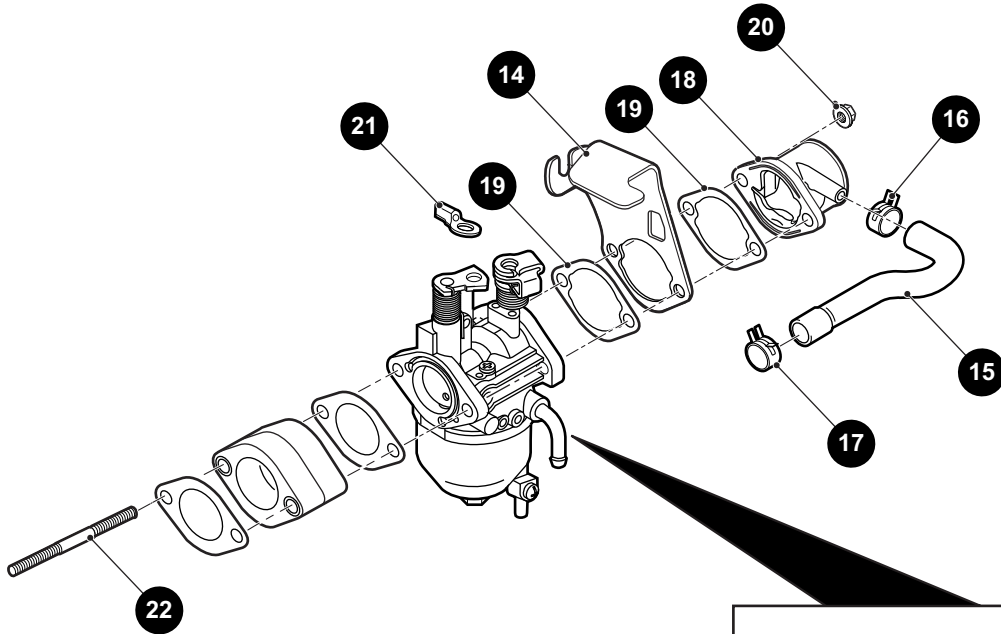
\* Indicates a component that is not available as an individual part.

\*\*\* Indicates consult Customer Service Department for additional information.

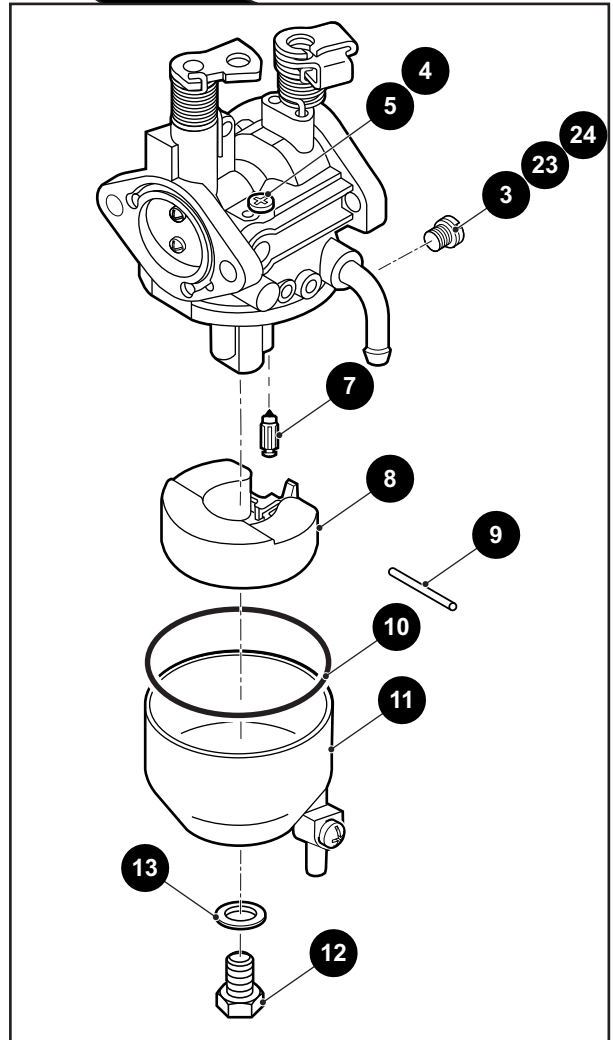
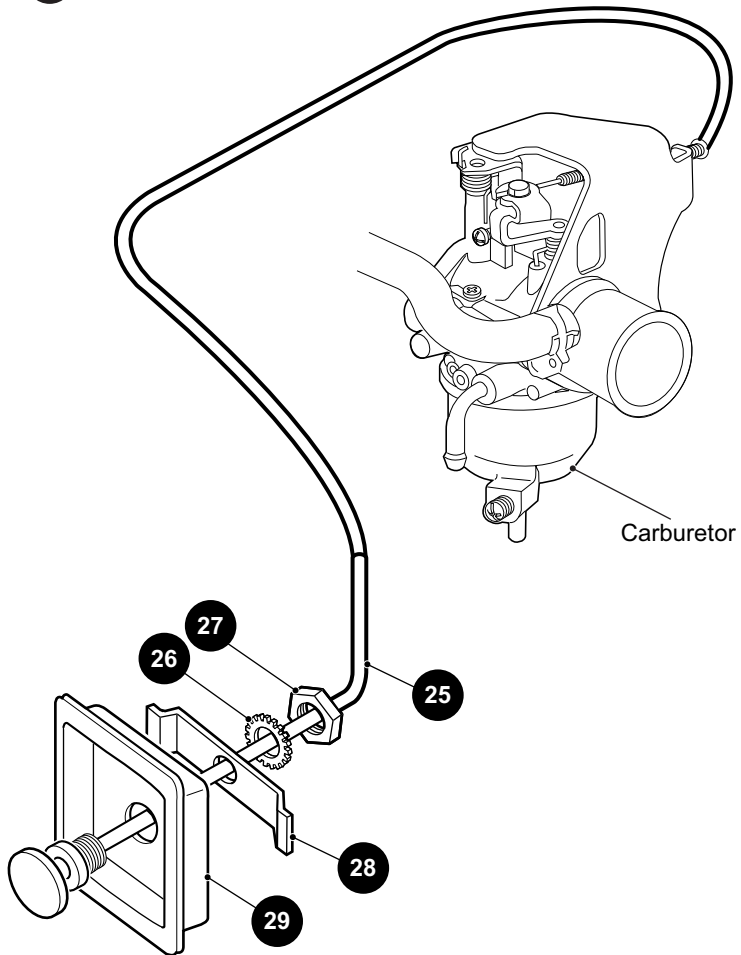
ITEM	PART NO.	1 2 3 4 5	DESCRIPTION	QTY.
29	<u>00550G1</u>		HEX NUT WITH INTERNAL LOCK, 1/4" - 20 .....	1
30	<u>12416G2</u>		WEDGE CLAMP (NYLON), 11.8" LG .....	10
31				
32	<u>670873</u>		BRAKE CALIPER ASSEMBLY (INCLUDES ITEMS 34 - 37) .....	1
33				
34	<u>672761</u>		BRAKE PAD KIT .....	1
35	<u>670862</u>		CALIPER .....	1
36	<u>658896</u>		CALIPER PLATE .....	1
37	<u>659244</u>		BRAKE CALIPER PLATE SPACER.....	1



# CARBURETOR AND CHOKE



1 CARBURETOR includes items 3 - 22





# CARBURETOR AND CHOKE

THE USE OF NON U.L. PARTS WILL VOID ANY U.L. LISTING.  
 When ordering parts, please specify the model and serial number of the product.  
 \* Indicates a component that is not available as an individual part.  
 \*\*\* Indicates consult Customer Service Department for additional information.

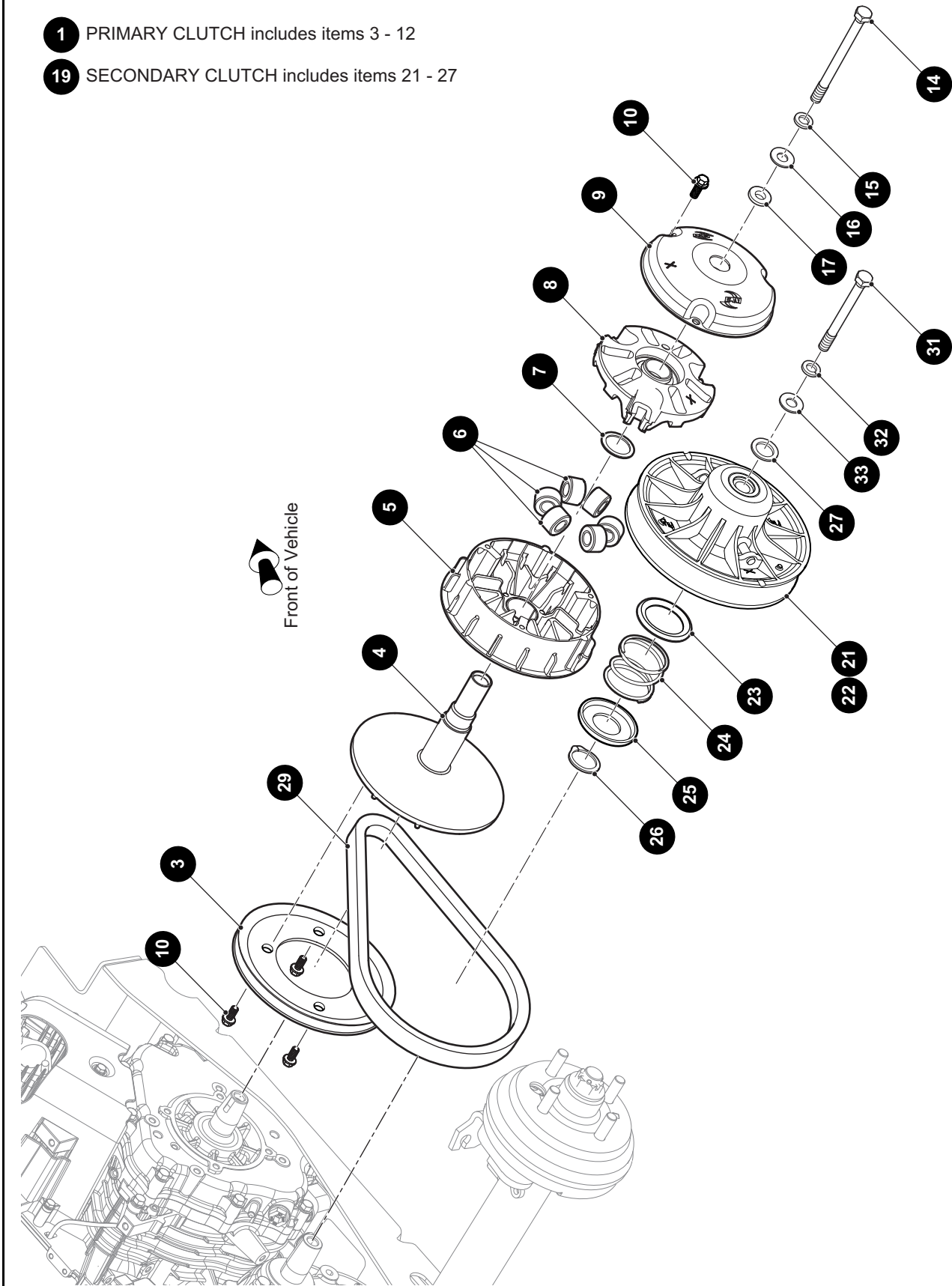
ITEM	PART NO.	1 2 3 4 5	DESCRIPTION	QTY.
1	<u>607954</u>		CARBURETOR (INCLUDES ITEMS 3 - 22) .....	1
2				
3	<u>607956</u>		MAIN JET (#106).....	1
4	<u>607957</u>		PILOT JET (#52).....	1
5	<u>603585</u>		PLUG .....	1
6				
7	<u>603586</u>		FLOAT VALVE .....	1
8	<u>603587</u>		FLOAT .....	1
9	<u>603588</u>		FLOAT PIN .....	1
10	<u>603589</u>		BOWL GASKET.....	1
11	<u>603590</u>		FLOAT CHAMBER ASSEMBLY.....	1
12	<u>603592</u>		CHAMBER PLUG .....	1
13	<u>603591</u>		CHAMBER GASKET .....	1
14	<u>603583</u>		CHOKE CABLE BRACKET .....	1
15	<u>603598</u>		BREATHER TUBE .....	1
16	<u>603596</u>		INTAKE TUBE CLAMP .....	1
17	<u>603597</u>		CYLINDER HEAD TUBE CLAMP.....	1
18	<u>603594</u>		INTAKE TUBE .....	1
19	<u>603593</u>		CHOKE GASKET .....	2
20	<u>603595</u>		FLANGE NUT, M6 X 1.0.....	2
21	<u>608023</u>		THROTTLE ROD ATTACHMENT BUSHING .....	1
22	<u>603584</u>		STUD BOLT.....	2
23	<u>607684</u>		MAIN JET (#102) (FOR ELEVATIONS OF 6000 FT - 10000 FT) .....	1
24	607983		MAIN JET (#104) (FOR ELEVATIONS OF 3000 FT - 6000 FT) .....	1
25	<u>605793</u>		CHOKE CABLE.....	1
26	<u>00568G4</u>		LOCK WASHER (TOOTH TYPE), 9/16" .....	1
27	<u>00545G4</u>		JAM NUT, 9/16" - 18 .....	1
28	<u>72155G01</u>		RETAINER, CHOKE ADAPTER.....	1
29	<u>72154G01</u>		CHOKE CABLE ADAPTER.....	1





# CLUTCH

- 1 PRIMARY CLUTCH includes items 3 - 12
- 19 SECONDARY CLUTCH includes items 21 - 27



THE USE OF NON U.L. PARTS WILL VOID ANY U.L. LISTING.  
 When ordering parts, please specify the model and serial number of the product.  
 \* Indicates a component that is not available as an individual part.  
 \*\*\* Indicates consult Customer Service Department for additional information.

ITEM	PART NO.	1 2 3 4 5	DESCRIPTION	QTY.
1	672688		PRIMARY CLUTCH (INCLUDES ITEMS 3 - 12) .....	1
2				
3	<u>619333</u>		PRIMARY STARTER PULLEY .....	1
4	*		STATIONARY ASSEMBLY .....	1
5	*		MOVEABLE PRIMARY ASSEMBLY .....	1
6	<u>624112</u>		SHIFT ROLLER ASSEMBLY .....	6
7	<u>619337</u>		SHIM, 39.5MM X 31.75MM .....	1
8	<u>644303</u>		PRIMARY SPIDER ASSEMBLY .....	1
9	*		PRIMARY DUST COVER ASSEMBLY .....	1
10	<u>619332</u>		HEX WASHER HEAD BOLT, 1/4" - 20 X 3/4" LG .....	7
11	<u>644305</u>		PRIMARY TORQUE BUTTON (NOT ILLUSTRATED) .....	6
12	<u>644306</u>		TORQUE BUTTON PLUG (NOT ILLUSTRATED) .....	6
13				
14	<u>606245</u>		HEX HEAD BOLT, M12 - 1.25 X 160MM LG .....	1
15	<u>00566G3</u>		LOCK WASHER (SPRING TYPE), 1/2" .....	1
16	<u>606239</u>		CONICAL WASHER, M12 .....	1
17	<u>606230</u>		CLUTCH WASHER, 27.5MM O.D X 13.06MM I.D. X 6MM LG .....	1
18				
19	<u>623949</u>		SECONDARY CLUTCH (INCLUDES ITEMS 21 - 27) .....	1
20				
21	*		SECONDARY STATIONARY, 9.5 .....	1
22	*		MOVEABLE SECONDARY, 9.5 .....	1
23	<u>619327</u>		INNER RETAINER SPRING .....	1
24	<u>624111</u>		COMPRESSION SPRING .....	1
25	<u>619329</u>		OUTER SPRING RETAINER .....	1
26	<u>652515</u>		RETAINER RING .....	1
27	<u>619331</u>		THRUST WASHER, 1.830" O.D X 1.530" I.D. X 1" LG .....	1
28				
29	<u>618630</u>		DRIVE BELT .....	1
30				
31	<u>606243</u>		HEX HEAD BOLT, M12 - 1.25 X 120MM LG .....	1

# CLUTCH

THE USE OF NON U.L. PARTS WILL VOID ANY U.L. LISTING.

When ordering parts, please specify the model and serial number of the product.

\* Indicates a component that is not available as an individual part.

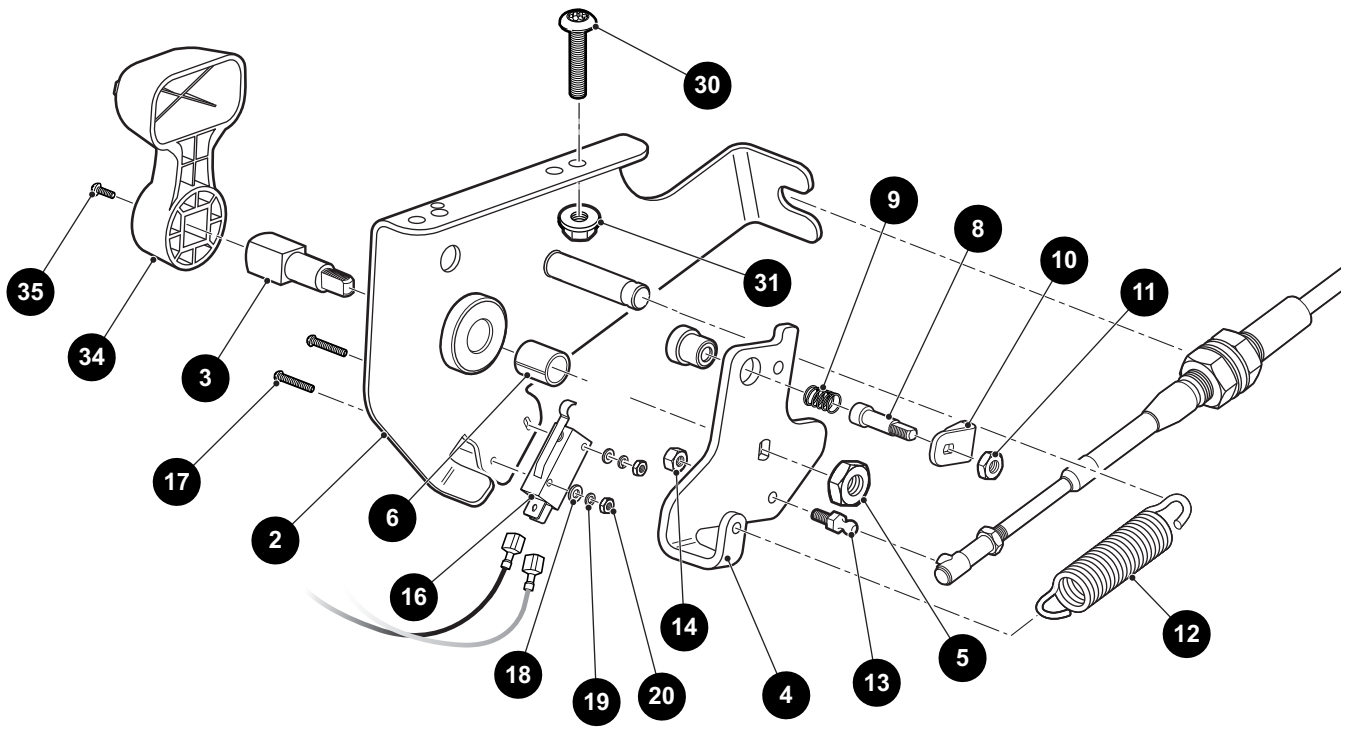
\*\*\* Indicates consult Customer Service Department for additional information.

ITEM	PART NO.	1 2 3 4 5	DESCRIPTION	QTY.
32	<u>00566G3</u>		LOCK WASHER (SPRING TYPE), 3/8" .....	1
33	<u>606239</u>		CONICAL WASHER, M12 .....	1

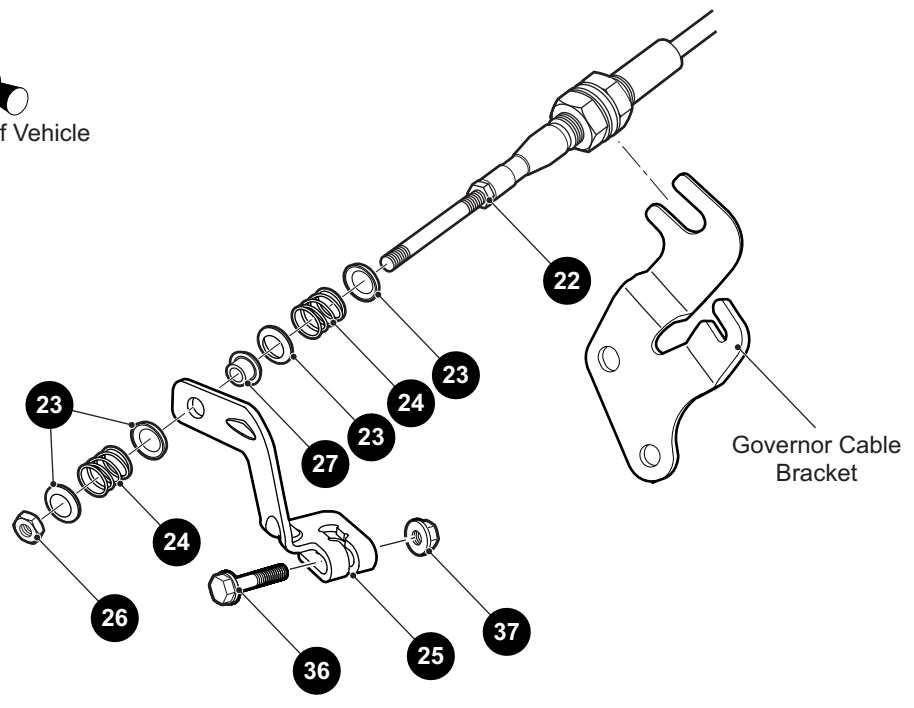


# DIRECTION SELECTOR

**1** DIRECTION SELECTOR ASSEMBLY includes items 2 - 27



 Front of Vehicle





# DIRECTION SELECTOR

THE USE OF NON U.L. PARTS WILL VOID ANY U.L. LISTING.

When ordering parts, please specify the model and serial number of the product.

\* Indicates a component that is not available as an individual part.

\*\*\* Indicates consult Customer Service Department for additional information.

ITEM	PART NO.	1 2 3 4 5	DESCRIPTION	QTY.
1	<u>606173</u>		DIRECTION SELECTOR ASSEMBLY (INCLUDES ITEMS 2 - 27) .....	1
2	<u>606077</u>		DIRECTION SELECTOR BRACKET.....	1
3	<u>70233G01</u>		DIRECTION SELECTOR SHAFT.....	1
4	<u>603700</u>		DIRECTION SELECTOR CAM.....	1
5	<u>14390G1</u>		LOCK NUT, 3/8" - 24 .....	1
6	<u>25664G2</u>		BUSHING, 1/2" X .750" LG .....	1
7				
8	<u>72724G01</u>		NEUTRAL LOCK PIN .....	1
9	<u>72733G01</u>		COMPRESSION SPRING.....	1
10	<u>72729G01</u>		NEUTRAL LOCK LATCH.....	1
11	<u>00734G2</u>		LOCK NUT, 1/4" - 28 .....	1
12	<u>28574G01</u>		EXTENSION SPRING .....	1
13	<u>72732G01</u>		BALL STUD, #10 - 32.....	1
14	<u>00734G5</u>		LOCK NUT, #10 - 32.....	1
15				
16	<u>72736G01</u>		MICRO SWITCH .....	1
17	<u>01062G01</u>		ROUND HEAD SCREW, #4 - 40 X 1" LG.....	2
18	<u>00559G1</u>		FLAT WASHER, #4 .....	2
19	<u>00565G1</u>		LOCK WASHER, #4 .....	2
20	<u>00526G2</u>		HEX NUT, #4 - 40 .....	2
21				
22	<u>605807</u>		DIRECTION SELECTOR CABLE.....	1
23	<u>25727G01</u>		CUP WASHER, 1/4" .....	4
24	<u>72735G01</u>		COMPRESSION SPRING.....	2
25	<u>632891</u>		PIVOT BRACKET.....	1
26	<u>00734G5</u>		LOCK NUT, #10 - 32.....	1
27	<u>22754G4</u>		BUSHING (FLIP LOK), .250".....	1
28				
29				
30	<u>70227G01</u>		SOCKET HEAD BOLT, 1/4" - 20 X 7/8" LG.....	2
31	<u>11027G2</u>		FLANGED LOCK NUT, 1/4" - 20.....	2

# DIRECTION SELECTOR

THE USE OF NON U.L. PARTS WILL VOID ANY U.L. LISTING.

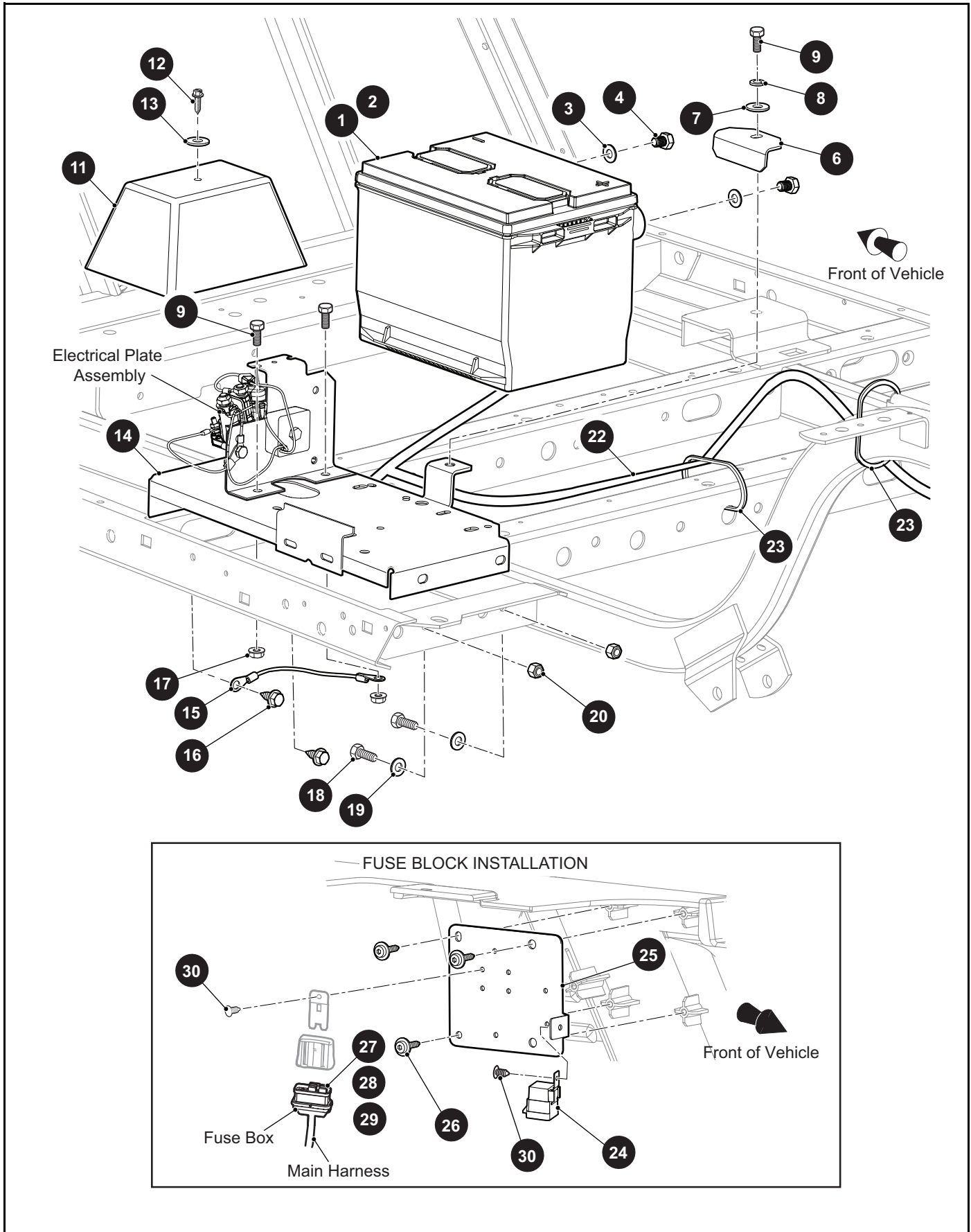
When ordering parts, please specify the model and serial number of the product.

\* Indicates a component that is not available as an individual part.

\*\*\* Indicates consult Customer Service Department for additional information.

ITEM	PART NO.	1 2 3 4 5	DESCRIPTION	QTY.
32	<u>31539G1</u>		CLAMP (NYLON), 15.5" LG (NOT ILLUSTRATED) .....	1
33				
34	<u>71205G01</u>		DIRECTION SELECTOR HANDLE .....	1
35	<u>01037G02</u>		PAN HEAD TORX SCREW, #10 - 32 X 1/2" LG.....	1
36	<u>606421</u>		FLANGED HEX HEAD BOLT, M6 - 1 X 30MM LG .....	1
37	<u>450452</u>		HEX NUT, M6 - 1 .....	1





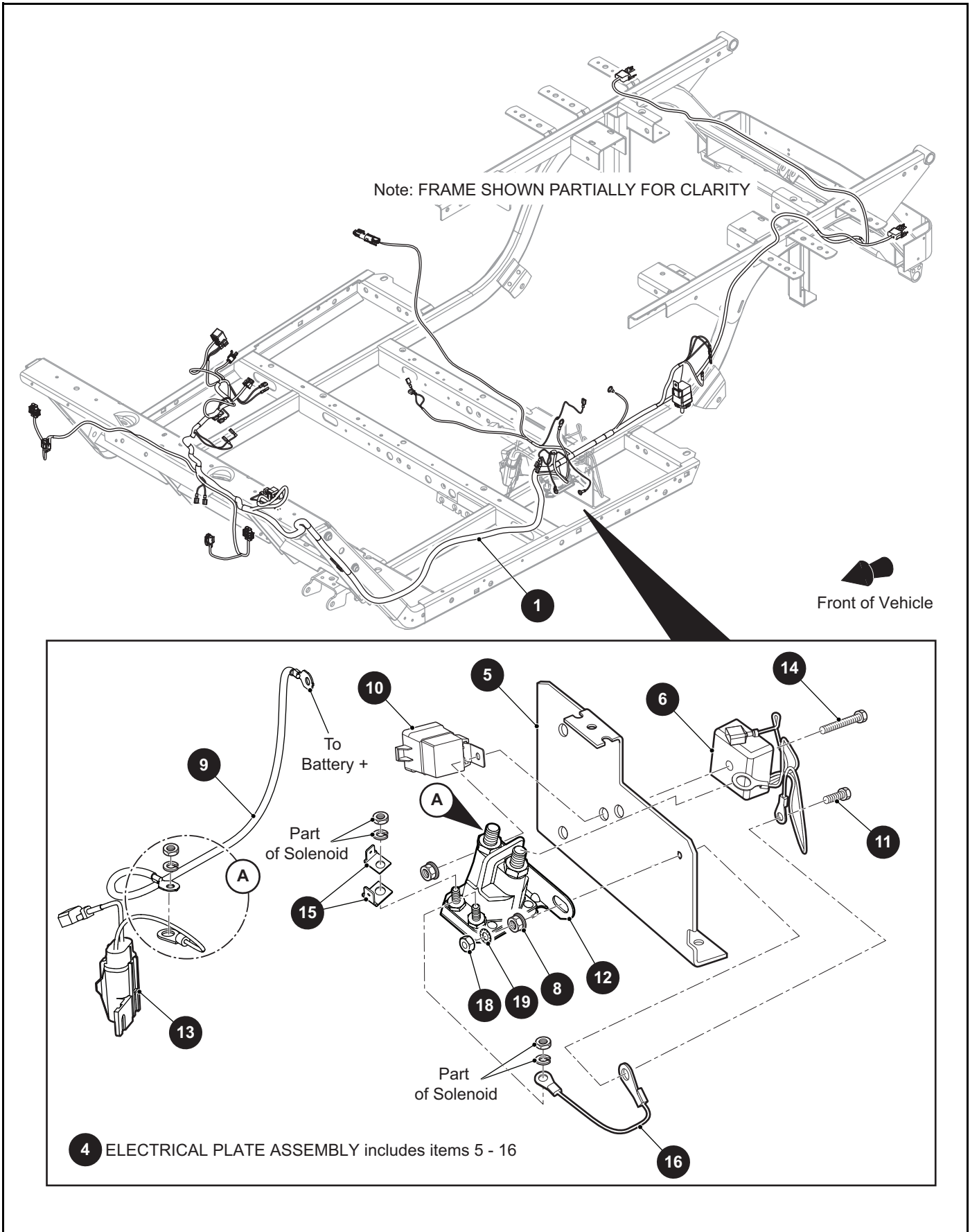
THE USE OF NON U.L. PARTS WILL VOID ANY U.L. LISTING.

When ordering parts, please specify the model and serial number of the product.

\* Indicates a component that is not available as an individual part.

\*\*\* Indicates consult Customer Service Department for additional information.

ITEM	PART NO.	1 2 3 4 5	DESCRIPTION	QTY.
1	<u>638433</u>		BATTERY (HD), 12V .....	1
2	<u>637484</u>		BATTERY, 12V .....	1
3	<u>614221</u>		FLAT WASHER, 3/8" .....	2
4	<u>651336</u>		BATTERY BOLT, 3/8" - 16 X .5" LG .....	2
5				
6	<u>72101G02</u>		BATTERY HOLD DOWN.....	1
7	<u>00571G2</u>		FLAT WASHER (SS), 5/16".....	1
8	<u>00565G8</u>		LOCK WASHER, 5/16" .....	1
9	00438G6		HEX HEAD BOLT, 5/16" - 18 X 3/4" LG .....	3
10				
11	<u>73049G01</u>		DIRECTION SELECTOR COVER .....	1
12	<u>00114G6</u>		HEX WASHER HEAD TAPPING SCREW, 1/4" - 14 X 3/4" LG .....	1
13	<u>16469G1</u>		FENDER WASHER, 1/4" .....	1
14	<u>652441G03</u>		BATTERY TRAY.....	1
15	<u>25976G19</u>		14 GA WIRE (BLACK), 6" .....	1
16	<u>00715G2</u>		FLANGED HEX HEAD BOLT, 5/16" - 18 X .8" LG .....	2
17	<u>11027G1</u>		LOCK NUT, 5/16" - 18.....	2
18	<u>00438G8</u>		HEX HEAD BOLT, 5/16" - 18 X 1" LG .....	2
19	00559G8		FLAT WASHER, 5/16" .....	2
20	11098G6		LOCK NUT, 5/16" - 18 .....	2
21				
22	<u>605821</u>		CONTROL HARNESS .....	1
23	<u>31539G1</u>		NYLON CLAMP, 15.5" LG.....	2
24	<u>603282</u>		RELAY.....	1
25	<u>649890</u>		FUSE BLOCK MOUNTING PLATE.....	1
26	<u>613373</u>		TAPPING SCREW, M4.8 - 1.6 X 22MM LG .....	3
27	<u>636455G10</u>		FUSE, 5A .....	1
28	<u>636455G13</u>		FUSE, 15A .....	1
29	<u>636455G14</u>		FUSE, 20A .....	1
30	<u>16816G2</u>		RATCHET RIVET, .25" X .887" .....	2

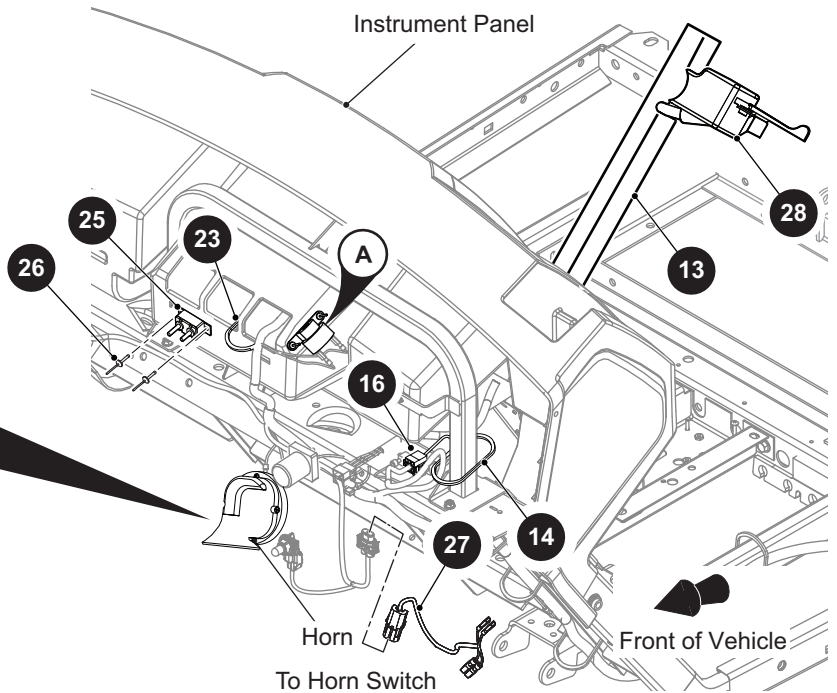
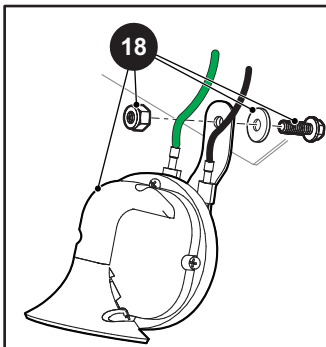
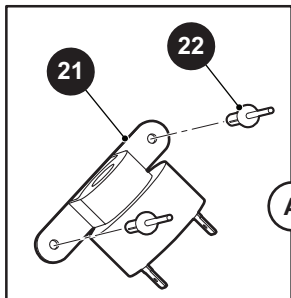
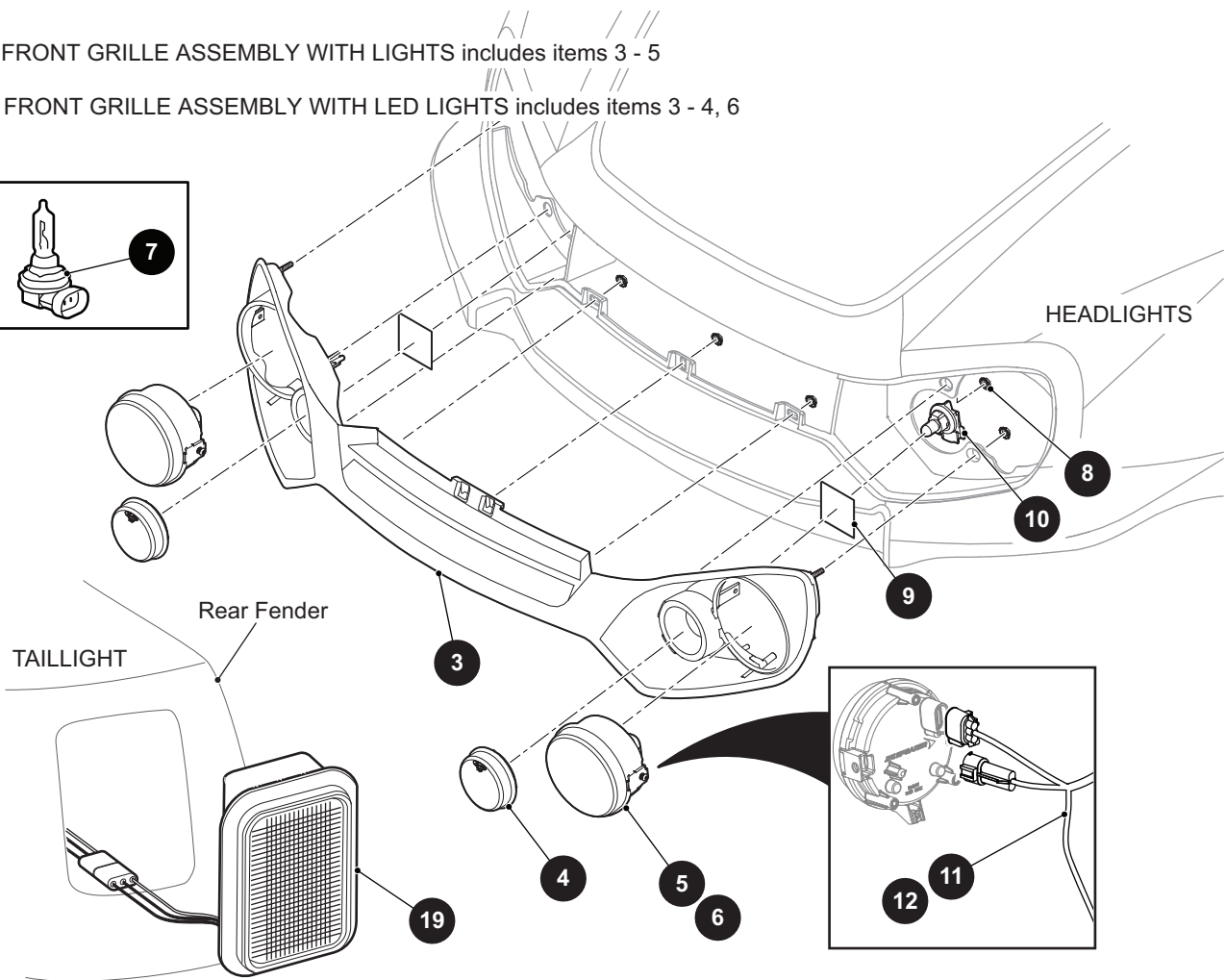
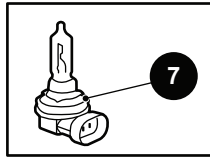


THE USE OF NON U.L. PARTS WILL VOID ANY U.L. LISTING.  
 When ordering parts, please specify the model and serial number of the product.  
 \* Indicates a component that is not available as an individual part.  
 \*\*\* Indicates consult Customer Service Department for additional information.

ITEM	PART NO.	1 2 3 4 5	DESCRIPTION	QTY.
1	<u>674060</u>		MAIN HARNESS.....	1
2	<u>31539G1</u>		NYLON CLAMP, 15.5" LG (NOT ILLUSTRATED).....	5
3				
4	<u>605563</u>		ELECTRICAL PLATE ASSEMBLY (INCLUDES ITEMS 5 - 16) .....	1
5	<u>73057G02</u>		BRACKET.....	1
6	<u>27739G01</u>		VOLTAGE REGULATOR .....	1
7				
8	<u>11027G2</u>		LOCK NUT, 1/4" - 20 .....	2
9	<u>645190</u>		WIRE ASSEMBLY, 6 GA.....	1
10	<u>603282</u>		RELAY .....	1
11	<u>00661G8</u>		HEX HEAD BOLT (SS), 1/4" - 20 X 1" LG .....	1
12	<u>612813</u>		SOLENOID, 14V.....	1
13	600418G01		FUSE HOLDER ASSEMBLY .....	1
14	<u>303459</u>		HEX HEAD BOLT, 1/4" - 20 X 1.5" LG.....	1
15	<u>73446G01</u>		FASTON TAB, 90° .....	3
16	<u>25978G56</u>		18 GA WIRE (BLACK), 5 3/4" LG .....	1
17				
18	<u>00532G1</u>		HEX NUT, 1/4" - 20 .....	1
19	<u>00567G7</u>		LOCK WASHER, .502" O.D X .272" I.D.....	1

# ELECTRICAL

- 1 FRONT GRILLE ASSEMBLY WITH LIGHTS includes items 3 - 5
- 2 FRONT GRILLE ASSEMBLY WITH LED LIGHTS includes items 3 - 4, 6





THE USE OF NON U.L. PARTS WILL VOID ANY U.L. LISTING.

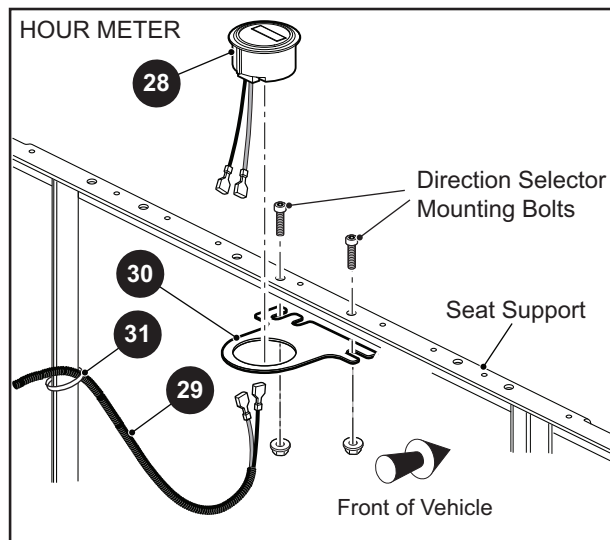
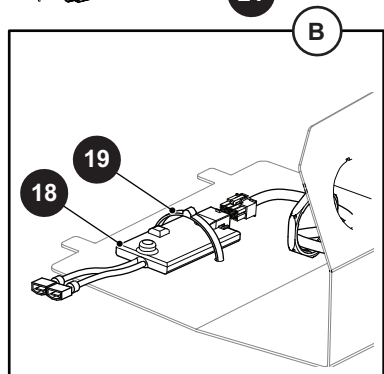
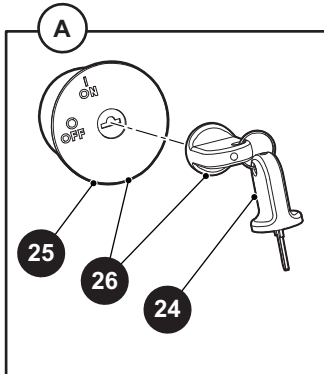
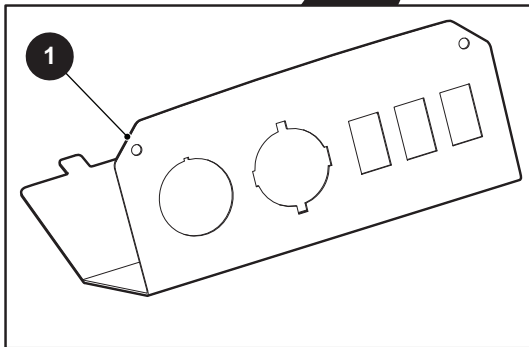
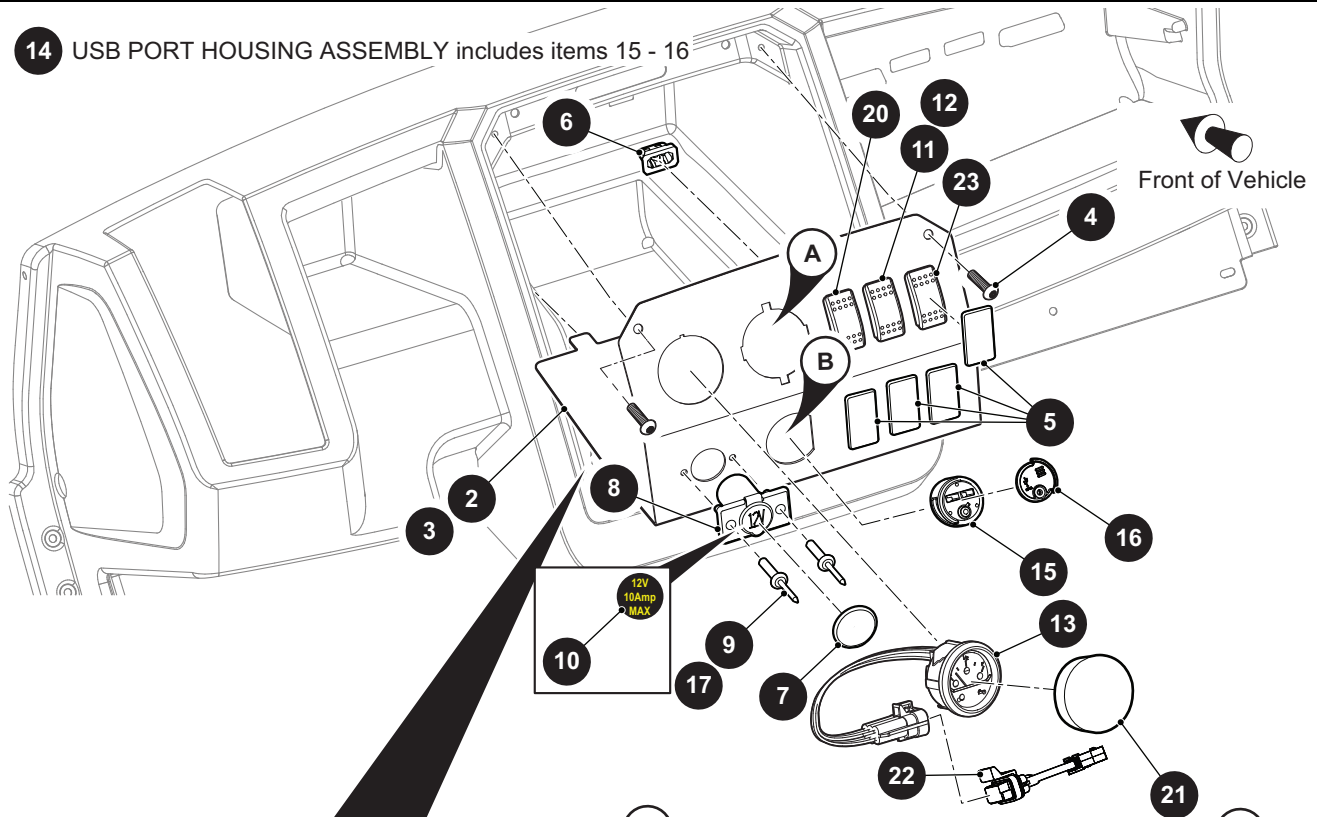
When ordering parts, please specify the model and serial number of the product.

\* Indicates a component that is not available as an individual part.

\*\*\* Indicates consult Customer Service Department for additional information.

ITEM	PART NO.	1 2 3 4 5	DESCRIPTION	QTY.
1	<u>651698G01</u>		FRONT GRILLE ASSEMBLY WITH LIGHTS (INCLUDES ITEMS 3 - 5) .....	1
2	<u>651698G03</u>		FRONT GRILLE ASSEMBLY WITH LED LIGHTS (INCLUDES ITEMS 3 - 4, 6) .....	1
3	648564		FRONT GRILLE .....	1
4	651437		LENS COVER .....	2
5	<u>651411G01</u>		HEADLIGHT .....	2
6	<u>651411G03</u>		LED HEADLIGHT .....	2
7	<u>619100</u>		HDL HEADLIGHT BULB .....	1
8	<u>71597G01</u>		SELF THREADING NUT, 5 X 10 X 15MM .....	9
9	<u>71781G02</u>		VINYL TAPE (FOR VEHICLES WITHOUT TURN SIGNAL LIGHTS) .....	2
10	<u>619102</u>		TURN SIGNAL BULB .....	2
11	<u>670038</u>		JUMPER HARNESS, HI/LOW LED HEADLIGHT (FOR VEHICLES MANUFACTURED BEFORE OCTOBER 14, 2018) .....	1
12	<u>677730</u>		JUMPER HARNESS, HI/LOW LED HEADLIGHT (FOR VEHICLES MANUFACTURED AFTER OCTOBER 14, 2018).....	1
13	<u>20965G3</u>		STEERING COLUMN COVER .....	1
14	<u>31539G1</u>		NYLON CLAMP, 15.5" LG (NOT ILLUSTRATED).....	2
15				
16	<u>664780</u>		JUMPER PLUG (TAILLIGHT) .....	1
17				
18	32860G01		HORN.....	1
19	<u>32739G3</u>		TAILLIGHT .....	1
20				
21	<u>613271</u>		REVERSE BUZZER.....	1
22	<u>01041G01</u>		ALUMINUM RIVET, 5/32" .....	2
23	<u>31539G1</u>		NYLON CLAMP, 15.5" LG.....	1
24				
25	<u>21320G3</u>		CIRCUIT BREAKER .....	1
26	<u>01041G01</u>		ALUMINUM RIVET, 5/32" .....	2
27	<u>664706</u>		HORN JUMPER HARNESS .....	1
28	<u>615236</u>		TURN SIGNAL SWITCH ASSEMBLY WITH HORN .....	1

**14** USB PORT HOUSING ASSEMBLY includes items 15 - 16



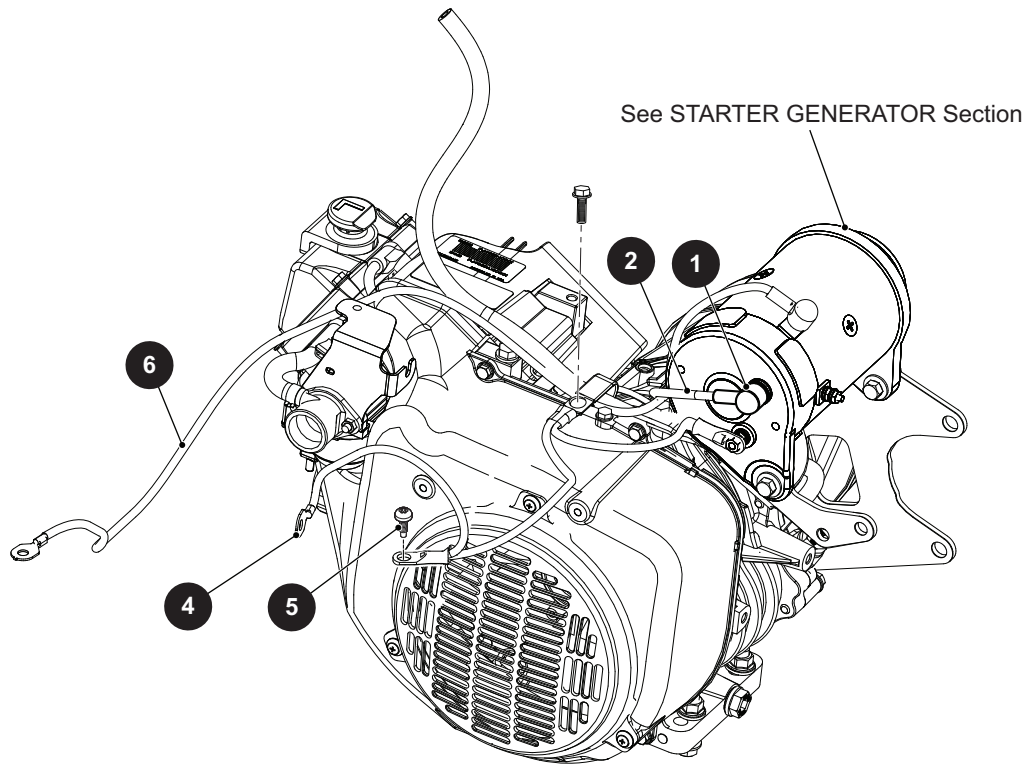
THE USE OF NON U.L. PARTS WILL VOID ANY U.L. LISTING.

When ordering parts, please specify the model and serial number of the product.

\* Indicates a component that is not available as an individual part.

\*\*\* Indicates consult Customer Service Department for additional information.

ITEM	PART NO.	1 2 3 4 5	DESCRIPTION	QTY.
1	<u>662083G01</u>		GAUGE PANEL (KEY, FUEL/SOC).....	1
2	662083G02		GAUGE PANEL (KEY, FUEL/SOC, 12V OUTLET) .....	1
3	662083G03		GAUGE PANEL (KEY, 12V OUTLET, USB, FUEL/SOC).....	1
4	<u>649803</u>		PAN HEAD TORX SCREW, M6 - 2.65 X 25MM LG.....	2
5	<u>627035</u>		PLUG .....	4
6	<u>602184</u>		CLIP .....	2
7	<u>20271G10</u>		HOLE PLUG, DIA 1.125" .....	1
8	<u>71078G01</u>		12V POWER OUTLET .....	1
9	<u>71055G01</u>		ALUMINUM RIVET, 3/16" X 1" LG .....	2
10	<u>637067</u>		12V POWER OUTLET LABEL (CE VEHICLES).....	1
11	<u>651897G02</u>		HEADLIGHT SWITCH, 2 - POSITION (ON/OFF) .....	1
12	<u>651897G03</u>		HEADLIGHT SWITCH, 3 - POSITION (HI/LOW).....	1
13	<u>612314</u>		FUEL GAUGE .....	1
14	<u>639384</u>		USB PORT HOUSING ASSEMBLY (INCLUDES ITEMS 15 - 16) .....	1
15	639383		USB PORT HOUSING.....	1
16	639382		USB PORT LID.....	1
17	33623G02		PLASTIC RIVET.....	2
18	<u>638233</u>		USB ELECTRONICS .....	1
19	<u>17618G1</u>		NYLON CLAMP, 8" LG.....	1
20	<u>651897G01</u>		HORN SWITCH .....	1
21	<u>20271G3</u>		HOLE PLUG.....	1
22	<u>672225</u>		JUMPER HARNESS .....	1
23	<u>651897G04</u>		TRUCK BED SWITCH .....	1
24	<u>611282</u>		COMMON KEY SET .....	1
25	<u>611284</u>		KEY SWITCH.....	1
26	<u>609696</u>		KEY SWITCH AND UNIQUE KEY SET .....	1
27				
28	<u>617074</u>		HOUR METER.....	1
29	664689		HOUR METER HARNESS.....	1
30	<u>635649</u>		BRACKET .....	1
31	<u>17618G1</u>		NYLON CLAMP, 8" LG.....	2



THE USE OF NON U.L. PARTS WILL VOID ANY U.L. LISTING.  
 When ordering parts, please specify the model and serial number of the product.  
 \* Indicates a component that is not available as an individual part.  
 \*\*\* Indicates consult Customer Service Department for additional information.

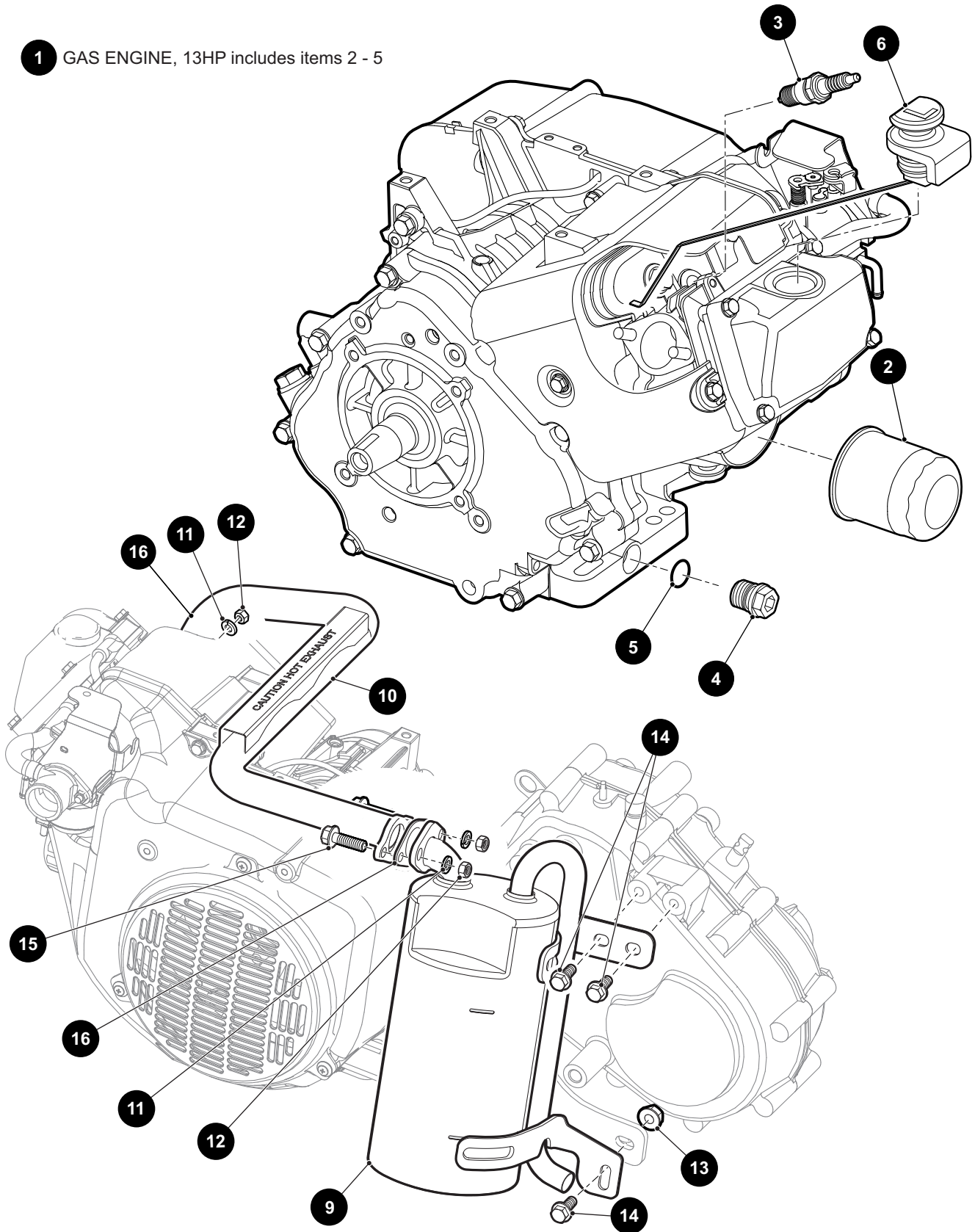
ITEM	PART NO.	1 2 3 4 5	DESCRIPTION	QTY.
1	<u>607053</u>		6 GA WIRE (BLACK), 6" .....	1
2	<u>25682G01</u>		TERMINAL COVER .....	3
3				
4	<u>645191</u>		GROUND CABLE .....	1
5	<u>26676G01</u>		FLANGED BOLT, M6 - 1 X 23MM.....	1
6	<u>656339G01</u>		6 GA WIRE, 55" .....	1





# ENGINE AND MUFFLER

1 GAS ENGINE, 13HP includes items 2 - 5





## ENGINE AND MUFFLER

THE USE OF NON U.L. PARTS WILL VOID ANY U.L. LISTING.

When ordering parts, please specify the model and serial number of the product.

\* Indicates a component that is not available as an individual part.

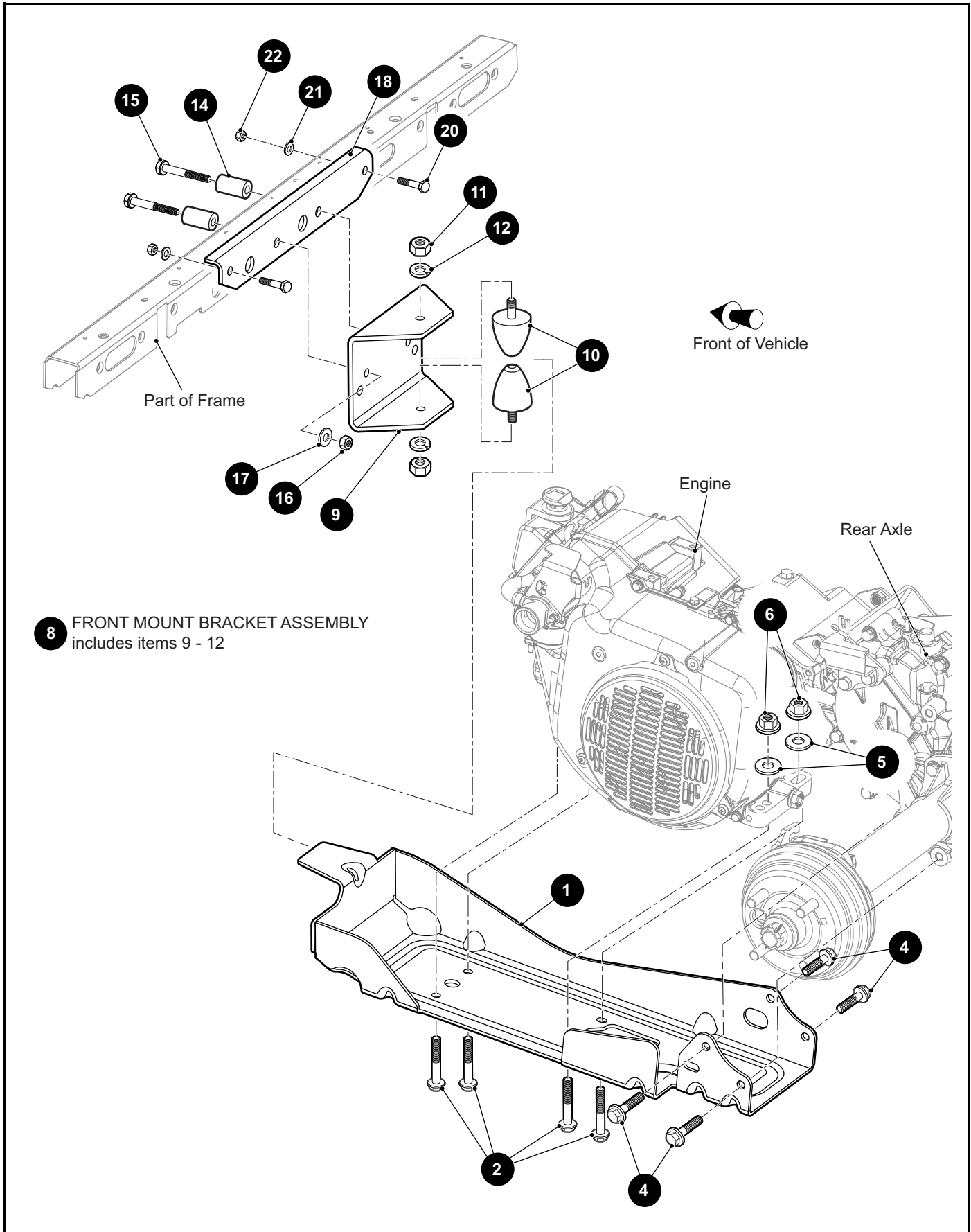
\*\*\* Indicates consult Customer Service Department for additional information.

ITEM	PART NO.	1 2 3 4 5	DESCRIPTION	QTY.
1	<u>633740</u>		GAS ENGINE, 13HP (INCLUDES ITEMS 2 - 5) .....	1
2	<u>607454</u>		OIL FILTER .....	1
3	<u>607462</u>		SPARK PLUG .....	1
4	<u>603557</u>		OIL DRAIN PLUG .....	3
5	<u>603562</u>		O-RING, 16MM .....	3
6	<u>606390</u>		DIP STICK .....	1
7				
8				
9	<u>630970</u>		MUFFLER .....	1
10	<u>606982</u>		EXHAUST PIPE .....	1
11	<u>606272</u>		LOCK WASHER, 8MM .....	4
12	<u>606267</u>		HEX JAM NUT, M8 X 1.25 .....	4
13	<u>606279</u>		FLANGED HEX NUT, M10 - 1.25 .....	1
14	<u>606256</u>		FLANGED HEX HEAD BOLT, M10 - 1.25 X 25MM LG .....	3
15	<u>602330</u>		FLANGED HEX HEAD BOLT, M8 - 1.25 X 30MM LG .....	2
16	<u>603599</u>		EXHAUST GASKET .....	2





# ENGINE MOUNTING



# ENGINE MOUNTING

THE USE OF NON U.L. PARTS WILL VOID ANY U.L. LISTING.

When ordering parts, please specify the model and serial number of the product.

\* Indicates a component that is not available as an individual part.

\*\*\* Indicates consult Customer Service Department for additional information.

ITEM	PART NO.	1 2 3 4 5	DESCRIPTION	QTY.
1	<u>630776</u>		ENGINE PAN .....	1
2	<u>606259</u>		FLANGED HEX HEAD BOLT, M10 - 1.25 X 45MM LG .....	4
3				
4	<u>606256</u>		FLANGED HEX HEAD BOLT, M10 - 1.25 X 25MM LG .....	4
5	<u>603823</u>		FLAT WASHER, M10 X 22MM X 2.5MM .....	4
6	<u>606279</u>		FLANGED HEX NUT, M10 - 1.25 .....	4
7				
8	<u>627627</u>		FRONT MOUNT BRACKET ASSEMBLY (INCLUDES ITEMS 9 - 12) .....	1
9	<u>625345</u>		BRACKET .....	1
10	<u>605757</u>		RUBBER BUMPER .....	2
11	<u>00974G01</u>		HEX NUT, M10 - 1.25 .....	2
12	<u>608654</u>		SPLIT LOCK WASHER, 10MM .....	2
13				
14	<u>72016G01</u>		TUBE SPACER .....	2
15	<u>00428G8</u>		HEX HEAD BOLT, 3/8" - 16 X 2 1/4" LG .....	2
16	<u>11098G5</u>		LOCK NUT, 3/8" - 16 .....	2
17	<u>00643G1</u>		FLAT WASHER, 3/8" .....	2
18	<u>652247</u>		CROSSMEMBER BRACE .....	1
19				
20	<u>00438G7</u>		HEX HEAD BOLT, 5/16" - 18 X 5/8" LG .....	2
21	00559G8		FLAT WASHER, 5/16" .....	2
22	<u>01109G01</u>		LOCK NUT, 5/16" - 18 .....	2









## FRONT SUSPENSION AND STEERING

THE USE OF NON U.L. PARTS WILL VOID ANY U.L. LISTING.

When ordering parts, please specify the model and serial number of the product.

\* Indicates a component that is not available as an individual part.

\*\*\* Indicates consult Customer Service Department for additional information.

ITEM	PART NO.	1 2 3 4 5	DESCRIPTION	QTY.
1	<u>655374</u>		FRONT AXLE, WIDE .....	1
2				
3	<u>70942G03</u>		SPINDLE AND HUB ASSEMBLY, 4 LUG (PASSENGER SIDE) (INCLUDES ITEMS 4 - 13) .....	1
4	70940G02		SPINDLE ASSEMBLY .....	1
5	<u>632925</u>		FLANGED BUSHING, O.D 35MM X I.D 25MM .....	1
6	<u>632926</u>		BEARING, O.D 28MM .....	1
7	<u>25146G1</u>		SEAL GREASE .....	1
8	<u>11750G2</u>		ROLLER BEARING AND RACE ASSEMBLY .....	2
9	<u>70589G01</u>		WHEEL HUB .....	1
10	<u>19862G1</u>		WHEEL HUB BOLT, 1/2" - 20 X 1.218" LG .....	4
11	12093G1		SLOTTED NUT, #1 - 14 .....	1
12	<u>00798G8</u>		COTTER PIN, 5/32" X 1 3/4" LG .....	1
13	<u>51141G1</u>		RACE BEARING .....	2
14	<u>70754G01</u>		THRUST WASHER (SS), 1.3" .....	1
15				
16	<u>70673G03</u>		SPINDLE AND HUB ASSEMBLY, 4 LUG (DRIVER SIDE) (INCLUDES ITEMS 5 - 13, 17) .....	1
17	<u>70742G02</u>		SPINDLE ASSEMBLY .....	1
18	<u>00407G6</u>		HEX HEAD BOLT, 1/2" - 13 X 6" LG .....	1
19	<u>00560G3</u>		FLAT WASHER, 1/2" .....	2
20	<u>70745G01</u>		KING PIN TUBE .....	2
21				
22	<u>14390G6</u>		LOCK NUT, 1/2" - 13 .....	1
23				
24	<u>00734G1</u>		LOCK NUT, 7/16" - 14 .....	6
25	<u>650940</u>		HEX HEAD BOLT, 7/16" - 14 X 2" LG .....	6
26	<u>10435G1</u>		SHOCK ABSORBER WASHER .....	4
27	<u>10194G1</u>		RUBBER SHOCK ABSORBER BUSHING .....	4
28	<u>00532G6</u>		HEX NUT, 1/4" - 20 .....	2
29				
30	<u>10044G01</u>		VINYL CAP .....	2

## FRONT SUSPENSION AND STEERING

THE USE OF NON U.L. PARTS WILL VOID ANY U.L. LISTING.

When ordering parts, please specify the model and serial number of the product.

\* Indicates a component that is not available as an individual part.

\*\*\* Indicates consult Customer Service Department for additional information.

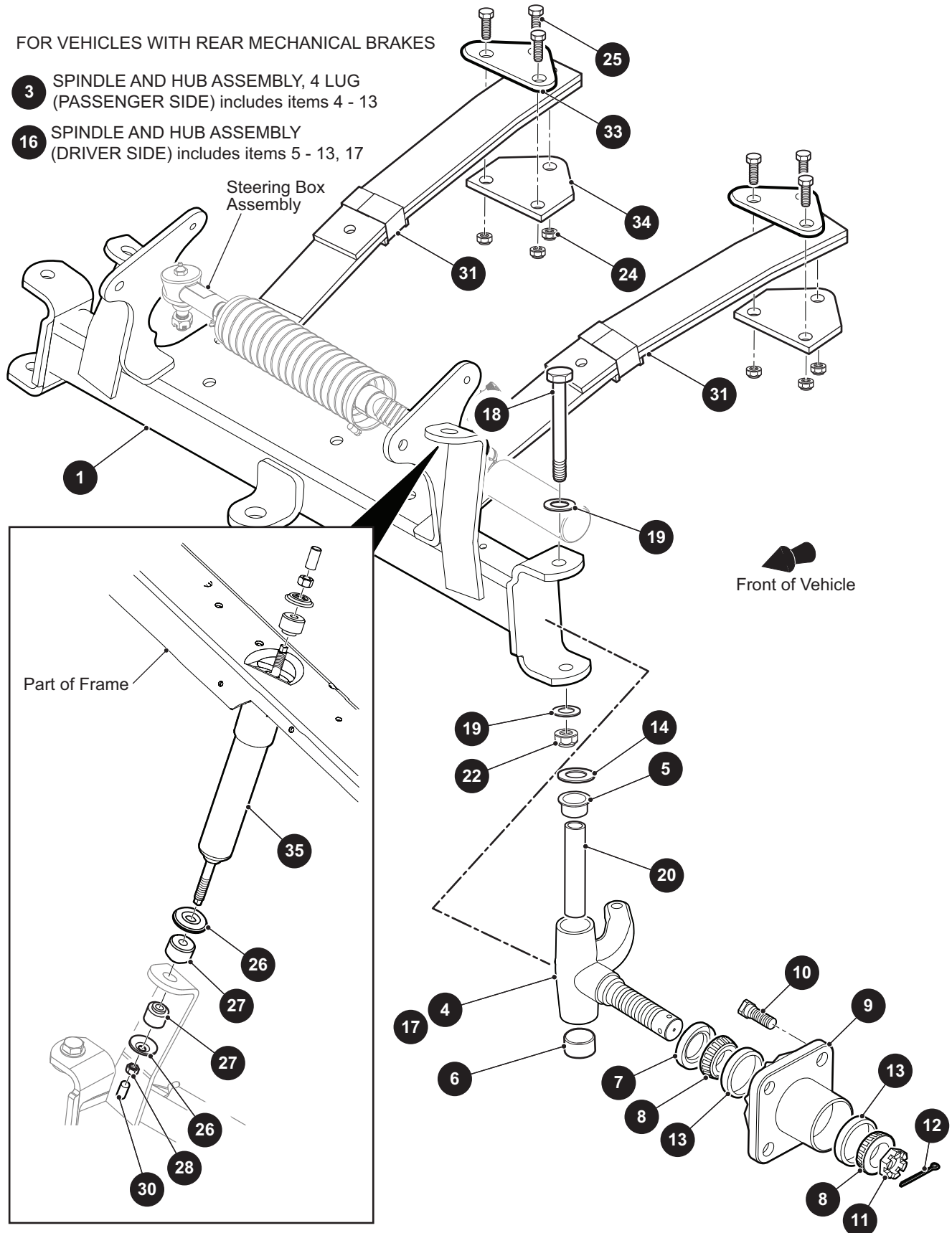
ITEM	PART NO.	1 2 3 4 5	DESCRIPTION	QTY.
31	<u>657022</u>		LEAF SPRING, 180 LBS .....	2
32				
33	658891		UPPER PLATE .....	2
34	<u>652258</u>		SPRING PLATE.....	2
35	<u>76419G01</u>		SHOCK ABSORBER.....	1



# FRONT SUSPENSION AND STEERING

FOR VEHICLES WITH REAR MECHANICAL BRAKES

- 3** SPINDLE AND HUB ASSEMBLY, 4 LUG (PASSENGER SIDE) includes items 4 - 13
- 16** SPINDLE AND HUB ASSEMBLY (DRIVER SIDE) includes items 5 - 13, 17



## FRONT SUSPENSION AND STEERING

THE USE OF NON U.L. PARTS WILL VOID ANY U.L. LISTING.

When ordering parts, please specify the model and serial number of the product.

\* Indicates a component that is not available as an individual part.

\*\*\* Indicates consult Customer Service Department for additional information.

ITEM	PART NO.	1 2 3 4 5	DESCRIPTION	QTY.
1	<u>652465</u>		FRONT AXLE, NARROW .....	1
2				
3	<u>70942G03</u>		SPINDLE AND HUB ASSEMBLY, 4 LUG (PASSENGER SIDE) (INCLUDES ITEMS 4 - 13) .....	1
4	<u>70940G02</u>		SPINDLE ASSEMBLY .....	1
5	<u>632925</u>		FLANGED BUSHING, O.D 35MM X I.D 25MM .....	1
6	<u>632926</u>		BEARING, O.D 28MM .....	1
7	<u>25146G1</u>		GREASE SEAL.....	1
8	<u>11750G2</u>		ROLLER BEARING AND RACE ASSEMBLY.....	2
9	<u>70589G01</u>		WHEEL HUB .....	1
10	<u>19862G1</u>		WHEEL HUB BOLT, 1/2" - 20 X 1.218" LG.....	4
11	<u>12093G1</u>		SLOTTED NUT, #1 - 14.....	1
12	<u>00798G8</u>		COTTER PIN, 5/32" X 1 3/4" LG .....	1
13	<u>51141G1</u>		RACE BEARING .....	2
14	<u>70754G01</u>		THRUST WASHER (SS), 1.3" .....	1
15				
16	<u>70673G03</u>		SPINDLE AND HUB ASSEMBLY, 4 LUG (DRIVER SIDE) (INCLUDES ITEMS 5 - 13, 17) .....	1
17	<u>70742G02</u>		SPINDLE ASSEMBLY .....	1
18	<u>00407G6</u>		HEX HEAD BOLT, 1/2" - 13 X 6" LG .....	1
19	<u>00560G3</u>		FLAT WASHER, 1/2" .....	2
20	<u>70745G01</u>		KING PIN TUBE.....	1
21				
22	<u>14390G6</u>		LOCK NUT, 1/2" - 13.....	1
23				
24	<u>00734G1</u>		LOCK NUT, 7/16" - 14.....	6
25	<u>650940</u>		HEX HEAD BOLT, 7/16" - 14 X 2" LG .....	6
26	<u>10435G1</u>		SHOCK ABSORBER WASHER.....	4
27	<u>10194G1</u>		RUBBER SHOCK ABSORBER BUSHING .....	4
28	<u>00532G6</u>		HEX NUT, 1/4" - 20 .....	2
29				
30	<u>10044G01</u>		VINYL CAP.....	2

## FRONT SUSPENSION AND STEERING

THE USE OF NON U.L. PARTS WILL VOID ANY U.L. LISTING.

When ordering parts, please specify the model and serial number of the product.

\* Indicates a component that is not available as an individual part.

\*\*\* Indicates consult Customer Service Department for additional information.

ITEM	PART NO.	1 2 3 4 5	DESCRIPTION	QTY.
31	<u>657022</u>		LEAF SPRING, 180 LBS .....	2
32				
33	658891		UPPER PLATE .....	2
34	<u>652258</u>		SPRING PLATE.....	2
35	<u>76419G01</u>		SHOCK ABSORBER.....	1







## FRONT SUSPENSION AND STEERING

THE USE OF NON U.L. PARTS WILL VOID ANY U.L. LISTING.

When ordering parts, please specify the model and serial number of the product.

\* Indicates a component that is not available as an individual part.

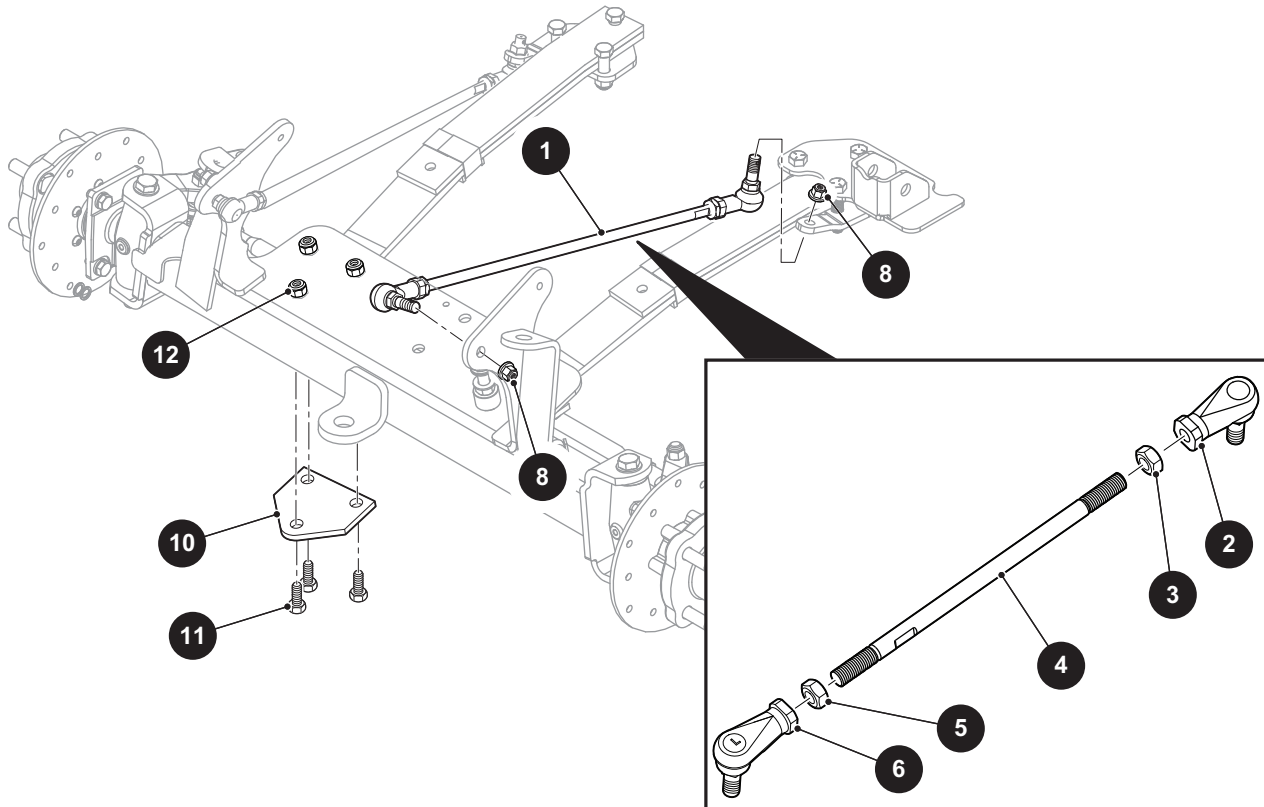
\*\*\* Indicates consult Customer Service Department for additional information.

ITEM	PART NO.	1 2 3 4 5	DESCRIPTION	QTY.
1	<u>652465</u>		FRONT AXLE, NARROW .....	1
2	<u>657022</u>		LEAF SPRING, 180 LBS.....	2
3	<u>652258</u>		SPRING PLATE .....	2
4	<u>74731G01</u>		SPRING PLATE (DRIVER SIDE).....	1
5	<u>74731G02</u>		SPRING PLATE (PASSENGER SIDE) .....	1
6	<u>647839</u>		MOUNTING BRACKET.....	1
7	<u>650940</u>		HEX HEAD BOLT, 7/16" - 14 X 2" LG .....	6
8	<u>00734G1</u>		LOCK NUT, 7/16" - 14.....	3
9	658891		UPPER PLATE.....	1
10	<u>10389G3</u>		GREASE FITTING .....	1
11	<u>649624</u>		SPINDLE (PASSENGER SIDE) .....	1
12	<u>647335</u>		SPINDLE (DRIVER SIDE) .....	1
13	<u>632926</u>		SLEEVE BUSHING, 28MM O.D. X 25MM I.D. X 15MM LG .....	1
14	<u>632925</u>		FLANGED BUSHING 28MM O.D. X 25MM I.D. X 16.5MM LG .....	1
15	<u>70745G01</u>		KING PIN TUBE.....	1
16	<u>00407G6</u>		HEX HEAD BOLT, 1/2" - 13 X 6" LG .....	1
17	<u>00560G3</u>		FLAT WASHER, 1/2".....	2
18	<u>14390G6</u>		LOCK NUT, 1/2" - 13.....	1
19	<u>70754G01</u>		THRUST WASHER (SS), 1.3" .....	1
20				
21	<u>00734G1</u>		LOCK NUT, 7/16" - 14.....	6
22				
23	<u>10435G1</u>		SHOCK ABSORBER WASHER.....	4
24	<u>10194G1</u>		RUBBER SHOCK ABSORBER BUSHING .....	4
25	<u>00532G6</u>		HEX NUT, 1/4" - 20 .....	2
26				
27	<u>10044G01</u>		VINYL CAP.....	2
28	<u>76419G01</u>		SHOCK ABSORBER.....	1

# FRONT SUSPENSION AND STEERING

FOR VEHICLES WITH FRONT DISC BRAKES

**1** LINK ROD ASSEMBLY includes items 2 - 6



## FRONT SUSPENSION AND STEERING

THE USE OF NON U.L. PARTS WILL VOID ANY U.L. LISTING.

When ordering parts, please specify the model and serial number of the product.

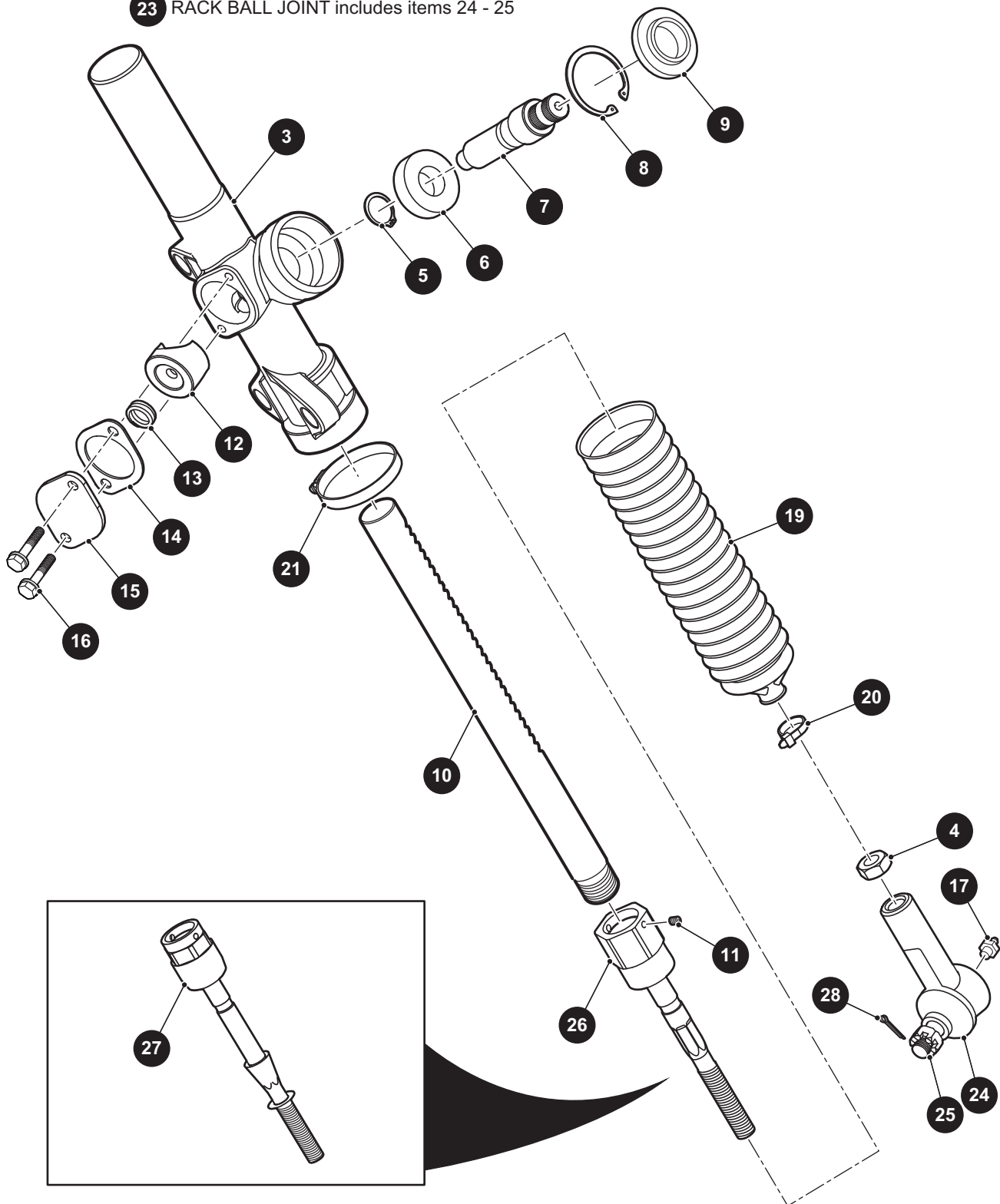
\* Indicates a component that is not available as an individual part.

\*\*\* Indicates consult Customer Service Department for additional information.

ITEM	PART NO.	1 2 3 4 5	DESCRIPTION	QTY.
1	<u>641627G01</u>		LINK ROD ASSEMBLY (INCLUDES ITEMS 2 - 6) .....	1
2	<u>74734G02</u>		TIE ROD END, RH .....	1
3	01083G01		JAM NUT, RH, M10 X 1.25 .....	1
4	641620		LINK ROD .....	1
5	01083G02		JAM NUT, LH, M10 X 1.25 .....	1
6	<u>74734G01</u>		TIE ROD END, LH .....	1
7				
8	<u>606279</u>		FLANGED HEX NUT, M10 - 1.25 .....	2
9				
10	<u>652258</u>		SPRING PLATE .....	2
11	<u>00463G11</u>		HEX HEAD BOLT, 7/16" - 14 X 1 1/2" LG .....	5
12	<u>00734G1</u>		LOCK NUT, 7/16" - 14 .....	5

# FRONT SUSPENSION AND STEERING

- 1 STEERING BOX ASSEMBLY includes items 3 - 26
- 2 STEERING BOX ASSEMBLY includes items 3 - 25, 27
- 23 RACK BALL JOINT includes items 24 - 25



## FRONT SUSPENSION AND STEERING

THE USE OF NON U.L. PARTS WILL VOID ANY U.L. LISTING.

When ordering parts, please specify the model and serial number of the product.

\* Indicates a component that is not available as an individual part.

\*\*\* Indicates consult Customer Service Department for additional information.

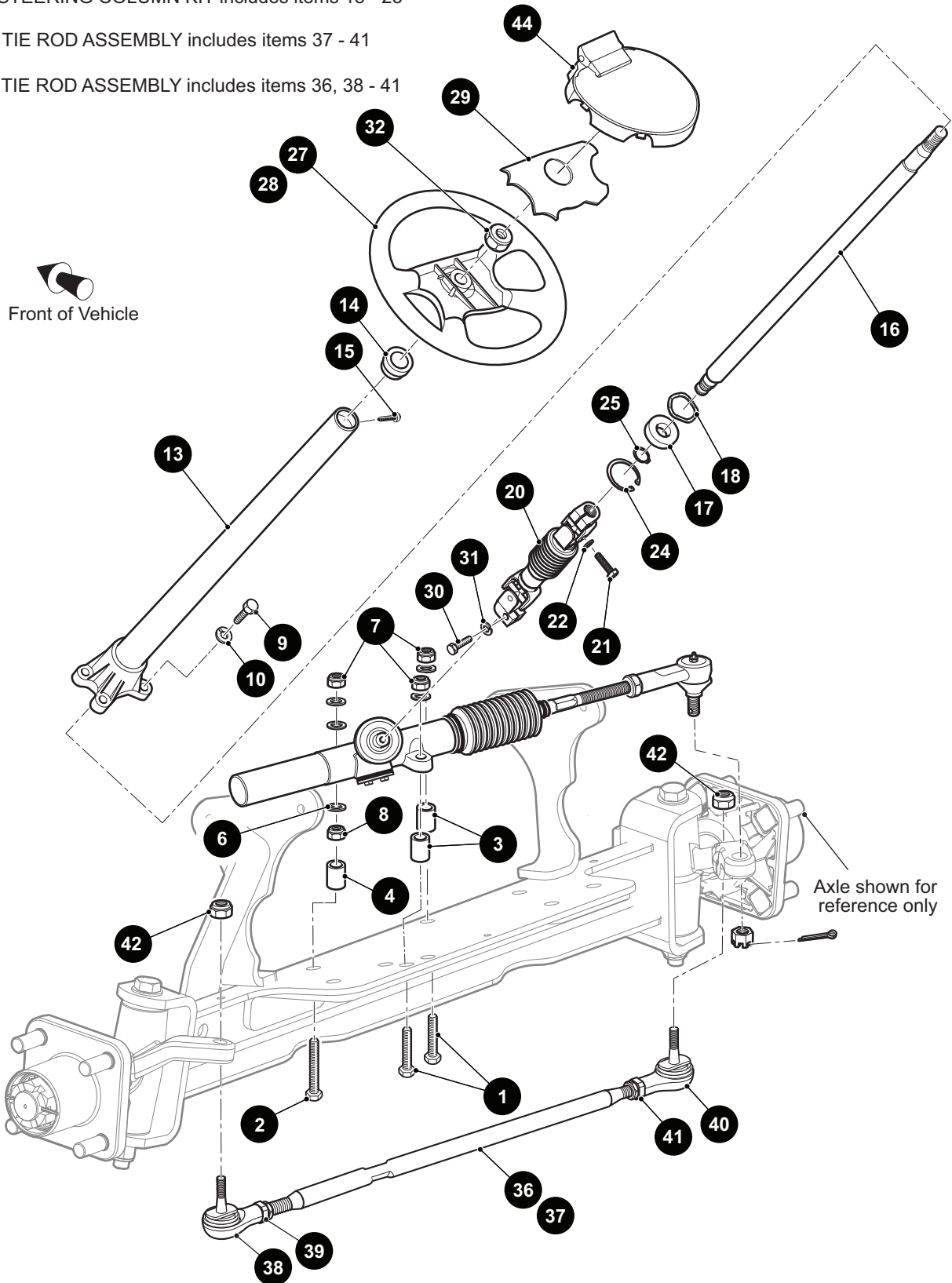
ITEM	PART NO.	1 2 3 4 5	DESCRIPTION	QTY.
1	<u>70964G01</u>		STEERING BOX ASSEMBLY (INCLUDES ITEMS 3 - 26) .....	1
2	<u>74605G01</u>		STEERING BOX ASSEMBLY (INCLUDES ITEMS 3 - 25, 27) .....	1
3	<u>70965G01</u>		STEERING RACK COVER AND BEARING .....	1
4	*		JAM NUT, 1/2" - 20 .....	1
5	<u>70750G01</u>		RETAINING RING (EXTERNAL) .....	1
6	<u>15112G1</u>		BALL BEARING .....	1
7	<u>70603G01</u>		PINION .....	1
8	<u>70751G01</u>		RETAINING RING (INTERNAL) .....	1
9	<u>70638G01</u>		SEAL (PINION) .....	1
10	<u>70604G01</u>		STEERING RACK .....	1
11	*		SET SCREW, #10 - 32 X .25" LG .....	1
12	<u>70590G01</u>		RACK LOADER .....	1
13	<u>70666G01</u>		COMPRESSION SPRING .....	1
14	<u>70645G01</u>		GASKET (RACK LOADER COVER) .....	1
15	<u>652259</u>		COVER (RACK LOADER) .....	1
16	<u>71102G01</u>		HEX WASHER HEAD BOLT, 1/4" - 20 X 11/16" LG .....	2
17	<u>10389G3</u>		GREASE FITTING (STRAIGHT) .....	1
18				
19	<u>70961G01</u>		RACK BOOT .....	1
20	<u>12416G2</u>		NYLON CLAMP, 10" LG .....	1
21	<u>11391G8</u>		HOSE CLAMP, 1.81" .....	1
22				
23	<u>70695G01</u>		TIE ROD END (OUTER) (INCLUDES ITEMS 24 - 25) .....	1
24	<u>50641G1</u>		GROMMET .....	1
25	<u>50209G2</u>		HEX SLOTTED NUT, 7/16" - 20 .....	1
26	<u>74694G01</u>		ROD END (INNER) .....	1
27	<u>74602G01</u>		ROD END (INNER) .....	1
28	<u>10387G2</u>		COTTER PIN, 3/32" X 1" .....	1

# FRONT SUSPENSION AND STEERING

**12** STEERING COLUMN KIT includes items 13 - 25

**34** TIE ROD ASSEMBLY includes items 37 - 41

**35** TIE ROD ASSEMBLY includes items 36, 38 - 41



## FRONT SUSPENSION AND STEERING

THE USE OF NON U.L. PARTS WILL VOID ANY U.L. LISTING.

When ordering parts, please specify the model and serial number of the product.

\* Indicates a component that is not available as an individual part.

\*\*\* Indicates consult Customer Service Department for additional information.

ITEM	PART NO.	1 2 3 4 5	DESCRIPTION	QTY.
1	<u>00464G8</u>		HEX HEAD BOLT, 7/16" - 14 X 2 3/4" LG .....	2
2	<u>01068G01</u>		HEX HEAD BOLT, 7/16" - 14 X 3.5" LG .....	1
3	<u>70667G02</u>		SPACER, O.D, 1" X I.D .46" X 1.2" LG .....	2
4	<u>70667G04</u>		SPACER, O.D 1" X I.D .46" X .69" LG .....	1
5				
6	<u>00560G2</u>		FLAT WASHER, 7/16" .....	7
7	<u>00734G1</u>		LOCK NUT, 7/16" - 14 .....	3
8	<u>00532G7</u>		HEX NUT, 1/4" - 20 .....	1
9	<u>01006G01</u>		HEX WASHER HEAD BOLT, 3/8" - 16 X 1 1/4" LG .....	4
10	<u>00879G1</u>		LOCK WASHER, 3/8" .....	4
11				
12	<u>70758G05</u>		STEERING COLUMN ASSEMBLY (INCLUDES ITEMS 13 - 25) .....	1
13	<u>70610G03</u>		STEERING COLUMN .....	1
14	<u>28569G01</u>		STEERING COLUMN BUSHING .....	1
15	<u>01022G01</u>		HEX WASHER HEAD BOLT, #6 - 20 X 5/16" LG .....	1
16	<u>70607G01</u>		STEERING SHAFT .....	1
17	<u>15112G1</u>		BALL BEARING, O.D 1.65" X I.D .78" .....	1
18	<u>70887G01</u>		WAVE WASHER .....	1
19				
20	<u>70580G01</u>		INTERMEDIATE SHAFT .....	1
21	<u>01055G01</u>		HEX HEAD BOLT, M8 - 1.25 X 30MM LG .....	1
22	<u>00565G8</u>		LOCK WASHER, 5/16" .....	2
23				
24	<u>70751G01</u>		RETAINING RING (INTERNAL) .....	1
25	<u>70888G01</u>		RETAINING RING (EXTERNAL) .....	1
26				
27	<u>602980</u>		STEERING WHEEL (PREMIUM) .....	1
28	<u>602979</u>		STEERING WHEEL .....	1
29	<u>71147G01</u>		STEERING WHEEL COVER .....	1
30	<u>01055G01</u>		HEX HEAD BOLT, M8 - 1.25 X 30MM LG .....	1
31	<u>00565G8</u>		LOCK WASHER, 5/16" .....	2

## FRONT SUSPENSION AND STEERING

THE USE OF NON U.L. PARTS WILL VOID ANY U.L. LISTING.

When ordering parts, please specify the model and serial number of the product.

\* Indicates a component that is not available as an individual part.

\*\*\* Indicates consult Customer Service Department for additional information.

ITEM	PART NO.	1 2 3 4 5	DESCRIPTION	QTY.
32	<u>14390G2</u>		LOCK NUT, 5/8" - 18 .....	1
33				
34	<u>70876G02</u>		TIE ROD ASSEMBLY, 26.44" LG (INCLUDES ITEMS 37 - 41).....	1
35	<u>74604G01</u>		TIE ROD ASSEMBLY, 22.12" LG (INCLUDES ITEMS 36, 38 - 41).....	1
36	<u>74603G01</u>		THREADED ROD (29.4" LG) .....	
37	<u>70897G02</u>		THREADED ROD (24" LG) .....	1
38	<u>70902G01</u>		TIE ROD END (LEFT HAND THREADS) .....	1
39	<u>01069G01</u>		JAM NUT, M12 X 1.25 - 05 (LEFT HAND THREADS) .....	1
40	<u>70902G02</u>		TIE ROD END (RIGHT HAND THREADS) .....	1
41	<u>01069G02</u>		JAM NUT, M12 X 1.25 - 05 (RIGHT HAND THREADS) .....	1
42	<u>00734G1</u>		LOCK NUT, 7/16" - 14 .....	2
43				
44	<u>652801</u>		SCORECARD HOLDER.....	1



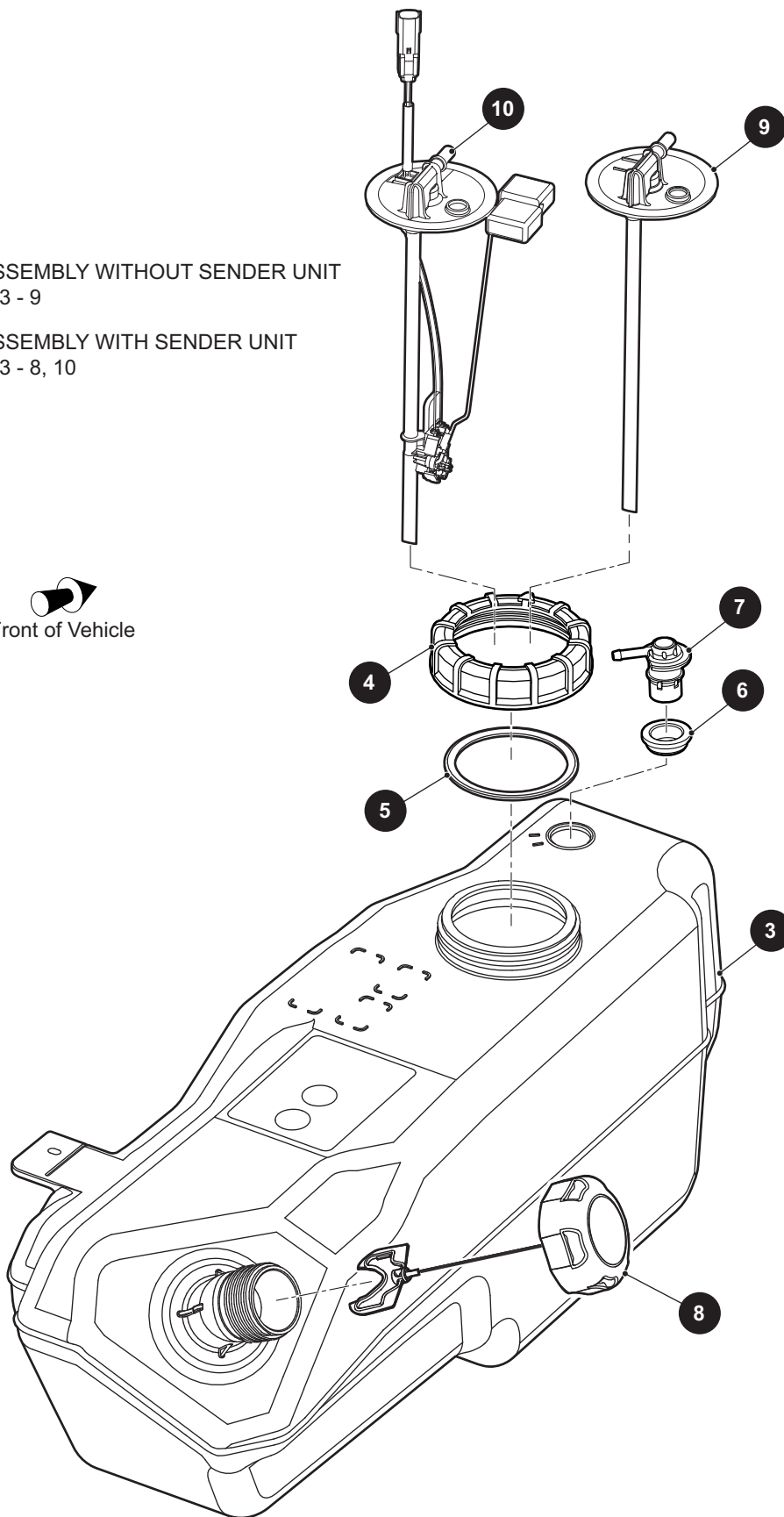


# FUEL SYSTEM

**1** FUEL TANK ASSEMBLY WITHOUT SENDER UNIT  
includes items 3 - 9

**2** FUEL TANK ASSEMBLY WITH SENDER UNIT  
includes items 3 - 8, 10

  
Front of Vehicle



# FUEL SYSTEM

THE USE OF NON U.L. PARTS WILL VOID ANY U.L. LISTING.

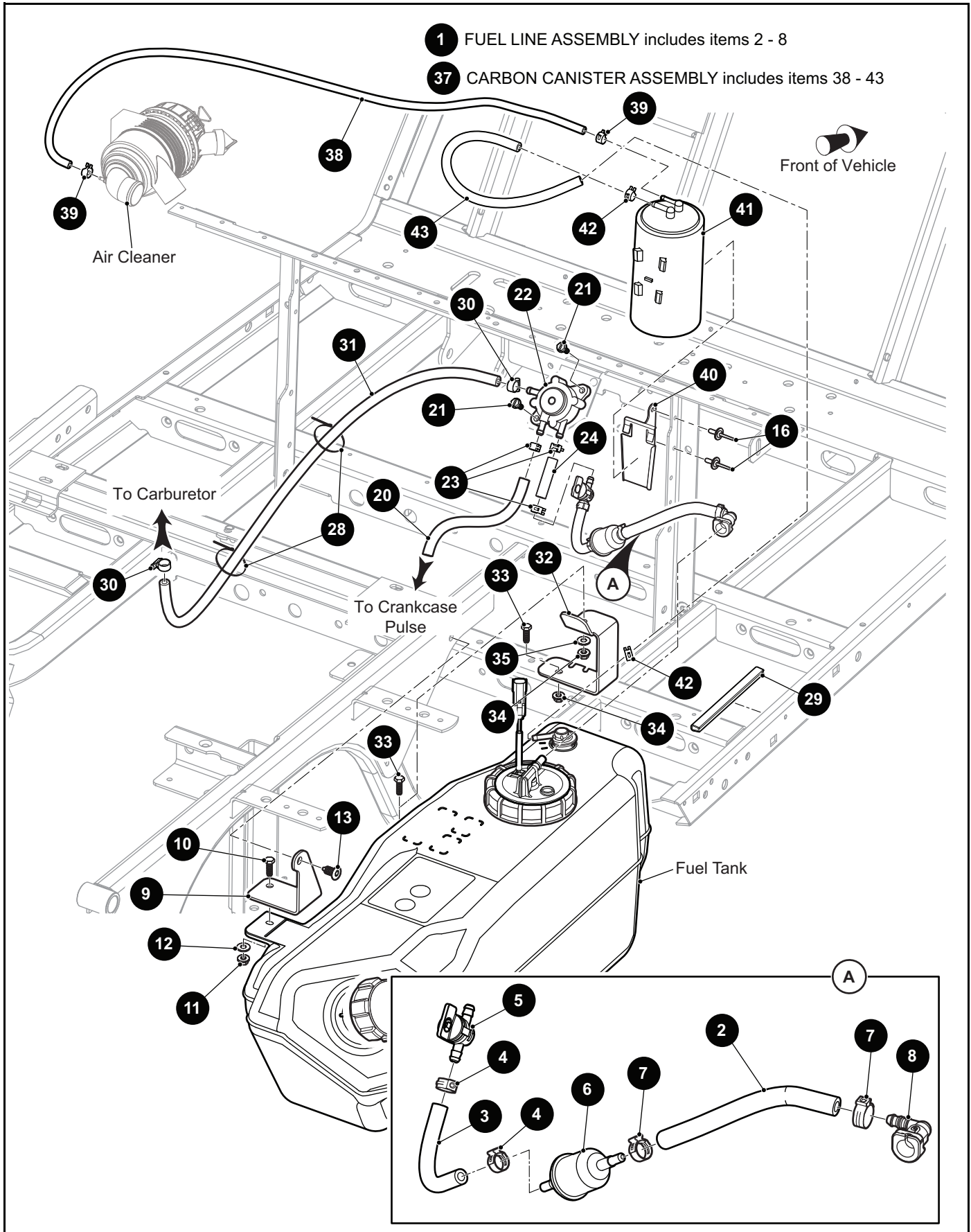
When ordering parts, please specify the model and serial number of the product.

\* Indicates a component that is not available as an individual part.

\*\*\* Indicates consult Customer Service Department for additional information.

ITEM	PART NO.	1 2 3 4 5	DESCRIPTION	QTY.
1	<u>651969</u>		FUEL TANK ASSEMBLY WITHOUT SENDER UNIT (INCLUDES ITEMS 3 - 9)	1
2	<u>651970</u>		FUEL TANK ASSEMBLY WITH SENDER UNIT (INCLUDES ITEMS 3 - 8, 10)	1
3	<u>650264</u>		FUEL TANK .....	1
4	<u>646837</u>		CAP .....	1
5	<u>646838</u>		SEAL.....	1
6	<u>647810</u>		ROLLOVER VALVE GROMMET .....	1
7	<u>647809</u>		ROLLOVER VALVE .....	1
8	<u>670898</u>		FUEL CAP RATCHET.....	1
9	<u>656135</u>		FUEL PICKUP WITHOUT SENDER UNIT .....	1
10	<u>659206</u>		FUEL PICKUP WITH SENDER UNIT.....	1

# FUEL SYSTEM



# FUEL SYSTEM

THE USE OF NON U.L. PARTS WILL VOID ANY U.L. LISTING.

When ordering parts, please specify the model and serial number of the product.

\* Indicates a component that is not available as an individual part.

\*\*\* Indicates consult Customer Service Department for additional information.

ITEM	PART NO.	1 2 3 4 5	DESCRIPTION	QTY.
1	<u>649515</u>		FUEL LINE ASSEMBLY (INCLUDES ITEMS 2 - 8) .....	1
2	649570		FUEL HOSE, .312" I.D. X .562" O.D. X 9" LG .....	1
3	<u>615350</u>		FUEL HOSE, 2" LG .....	1
4	<u>649873</u>		HOSE CLAMP, 1/2" .....	2
5	<u>611181</u>		SHUT OFF VALVE.....	1
6	<u>72084G01</u>		FUEL FILTER .....	1
7	<u>649874</u>		HOSE CLAMP, 9/16" .....	2
8	649577		FUEL LINE CONNECTOR .....	1
9	<u>650268</u>		UPPER BRACKET.....	1
10	<u>302288</u>		HEX HEAD BOLT, 1/4" - 20 X 1" LG .....	1
11	<u>800706</u>		CROWN LOCK NUT, 1/4" - 20.....	1
12	<u>01110G01</u>		FLAT WASHER, 1/4" .....	1
13	<u>70200G01</u>		TRUSS HEAD TORX SCREW, 3/8" - 16 X 3/4" LG .....	1
14				
15				
16	<u>10570G11</u>		DOMED RIVET, 3/16" .....	2
17				
18				
19				
20	<u>607009</u>		HOSE (PULSE LINE).....	1
21	<u>00114G6</u>		HEX WASHER HEAD SLOTTED TAPPING SCREW, 1/4" - 14 X 3/4" LG.....	2
22	<u>602061</u>		FUEL PUMP.....	1
23	<u>18292G1</u>		TUBING CLAMP, .5" O.D.....	3
24	<u>615350</u>		FUEL HOSE, 2".....	1
25				
26				
27				
28	<u>17618G1</u>		NYLON CLAMP, 7" LG.....	2
29	<u>32372G6</u>		VINYL TRIM, 6.25" LG .....	1
30	<u>11391G4</u>		HOSE CLAMP, .25" .....	2
31	<u>604597</u>		FUEL HOSE, 26" LG.....	1

# FUEL SYSTEM

THE USE OF NON U.L. PARTS WILL VOID ANY U.L. LISTING.

When ordering parts, please specify the model and serial number of the product

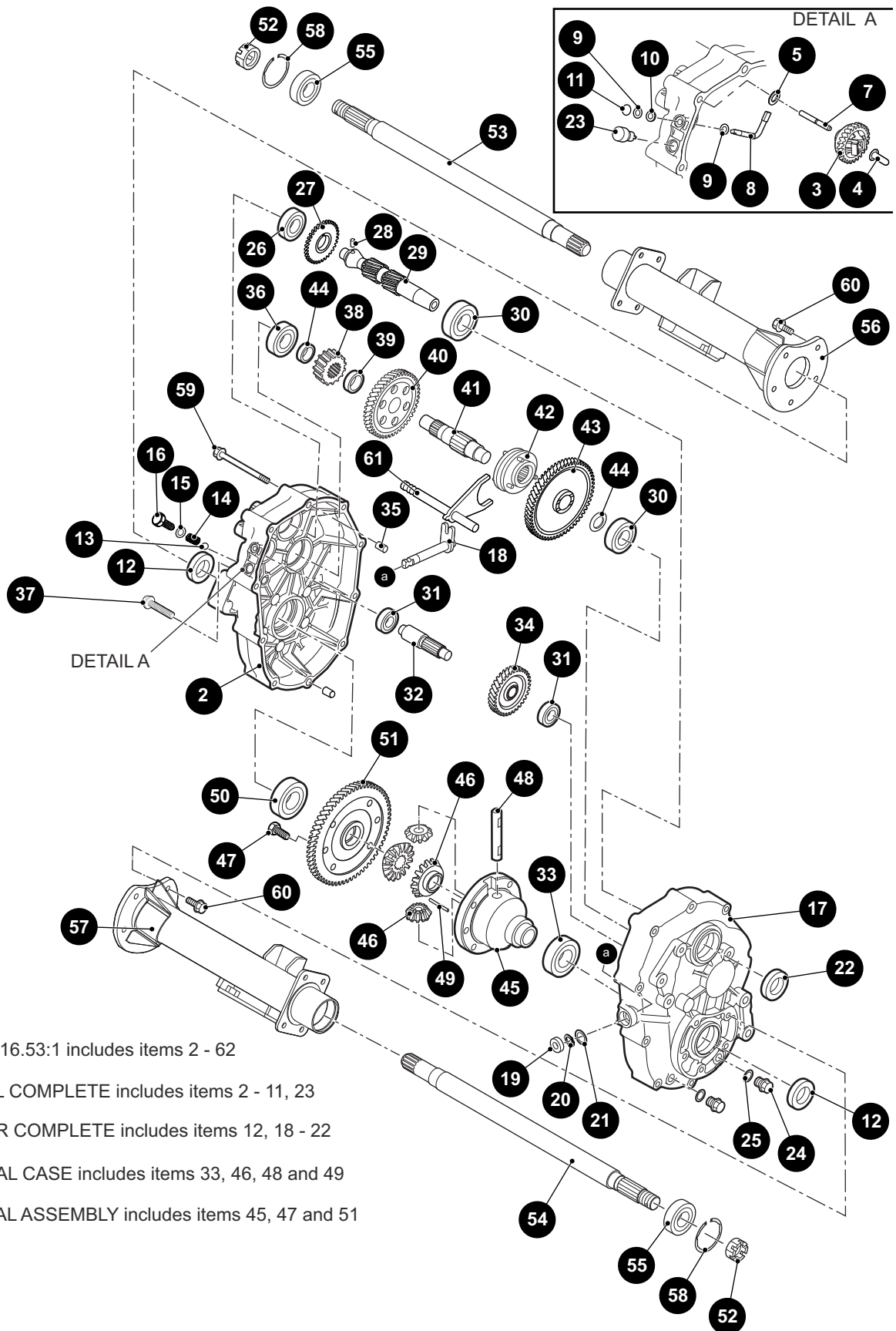
\* Indicates a component that is not available as an individual part.

\*\*\* Indicates consult Customer Service Department for additional information.

ITEM	PART NO.	1 2 3 4 5	DESCRIPTION	QTY.
32	<u>650275</u>		LOWER BRACKET .....	1
33	<u>302288</u>		HEX HEAD BOLT, 1/4" - 20 X 1" LG.....	2
34	<u>800706</u>		CROWN LOCK NUT, 1/4" - 20 .....	2
35	<u>01110G01</u>		FLAT WASHER, 1/4" .....	1
36				
37	654986		CARBON CANISTER ASSEMBLY (INCLUDES ITEMS 38 - 43) .....	1
38	<u>606966</u>		HOSE, 3/16" I.D. X 34" LG.....	1
39	<u>606963</u>		HOSE CLAMP, 3/16" .....	2
40	<u>606310</u>		CANISTER BRACKET .....	1
41	<u>606071</u>		CARBON CANISTER.....	1
42	<u>18292G1</u>		TUBING CLAMP, .5" O.D.....	2
43	<u>27184G14</u>		TUBE, .25" I.D. X .5" O.D. X 13" LG .....	1



# REAR AXLE



- 1 REAR AXLE, 16.53:1 includes items 2 - 62
- 2 AXLE CASE L COMPLETE includes items 2 - 11, 23
- 17 AXLE CASE R COMPLETE includes items 12, 18 - 22
- 45 DIFFERENTIAL CASE includes items 33, 46, 48 and 49
- 62 DIFFERENTIAL ASSEMBLY includes items 45, 47 and 51



THE USE OF NON U.L. PARTS WILL VOID ANY U.L. LISTING.  
 When ordering parts, please specify the model and serial number of the product.  
 \* Indicates a component that is not available as an individual part.  
 \*\*\* Indicates consult Customer Service Department for additional information.

ITEM	PART NO.	1 2 3 4 5	DESCRIPTION	QTY.
1	<u>670469</u>		REAR AXLE, 16.53:1 (INCLUDES ITEMS 2 - 62) .....	1
2	<u>645042</u>		AXLE CASE L COMPLETE (INCLUDES ITEMS 2 - 11, 23) .....	1
3	<u>665887</u>		GOVERNOR GEAR .....	1
4	<u>639689</u>		GOVERNOR SLEEVE .....	1
5	<u>607904</u>		FLAT WASHER .....	1
6				
7	<u>639698</u>		GOVERNOR GEAR SHAFT .....	1
8	<u>639707</u>		GOVERNOR SHAFT .....	1
9	<u>639736</u>		FLAT WASHER, 6MM .....	2
10	<u>607911</u>		OIL SEAL, 6 X 10 X 2.5 MM .....	1
11	<u>607913</u>		RETAINING RING E5 .....	1
12	<u>639738</u>		OIL SEAL, 24 X 40 X 9MM .....	2
13	<u>26818G01</u>		STEEL BALL .....	1
14	<u>26819G01</u>		SPRING .....	1
15	<u>26831G01</u>		GASKET, 10 .....	1
16	<u>26820G01</u>		FLANGED HEX HEAD BOLT, M10 - 1.25 X 12 MM LG .....	1
17	<u>645045</u>		AXLE CASE R COMPLETE (INCLUDES ITEMS 12, 18 - 22) .....	1
18	<u>639746</u>		SELECT SHAFT .....	1
19	<u>607915</u>		OIL SEAL, 13 X 22 X 5MM .....	1
20	<u>607916</u>		SNAP RING, 13MM .....	1
21	<u>607917</u>		SPACER, 13 X 1MM .....	1
22	<u>640093</u>		OIL SEAL, 28 X 47 X 9MM .....	1
23	<u>607919</u>		AIR BREATHER .....	1
24	<u>639747</u>		OIL DRAIN PLUG .....	2
25	<u>639748</u>		GASKET, 14MM .....	2
26	<u>645049</u>		BALL BEARING (6204) .....	2
27	<u>665888</u>		GOVERNOR GEAR, 34 .....	1
28	<u>607920</u>		PIN, 6 X 12L .....	1
29	<u>644532</u>		INPUT SHAFT .....	1
30	<u>645052</u>		BALL BEARING (62/28) .....	1
31	<u>639868</u>		BALL BEARING (TMB202) .....	2

## REAR AXLE

THE USE OF NON U.L. PARTS WILL VOID ANY U.L. LISTING.

When ordering parts, please specify the model and serial number of the product.

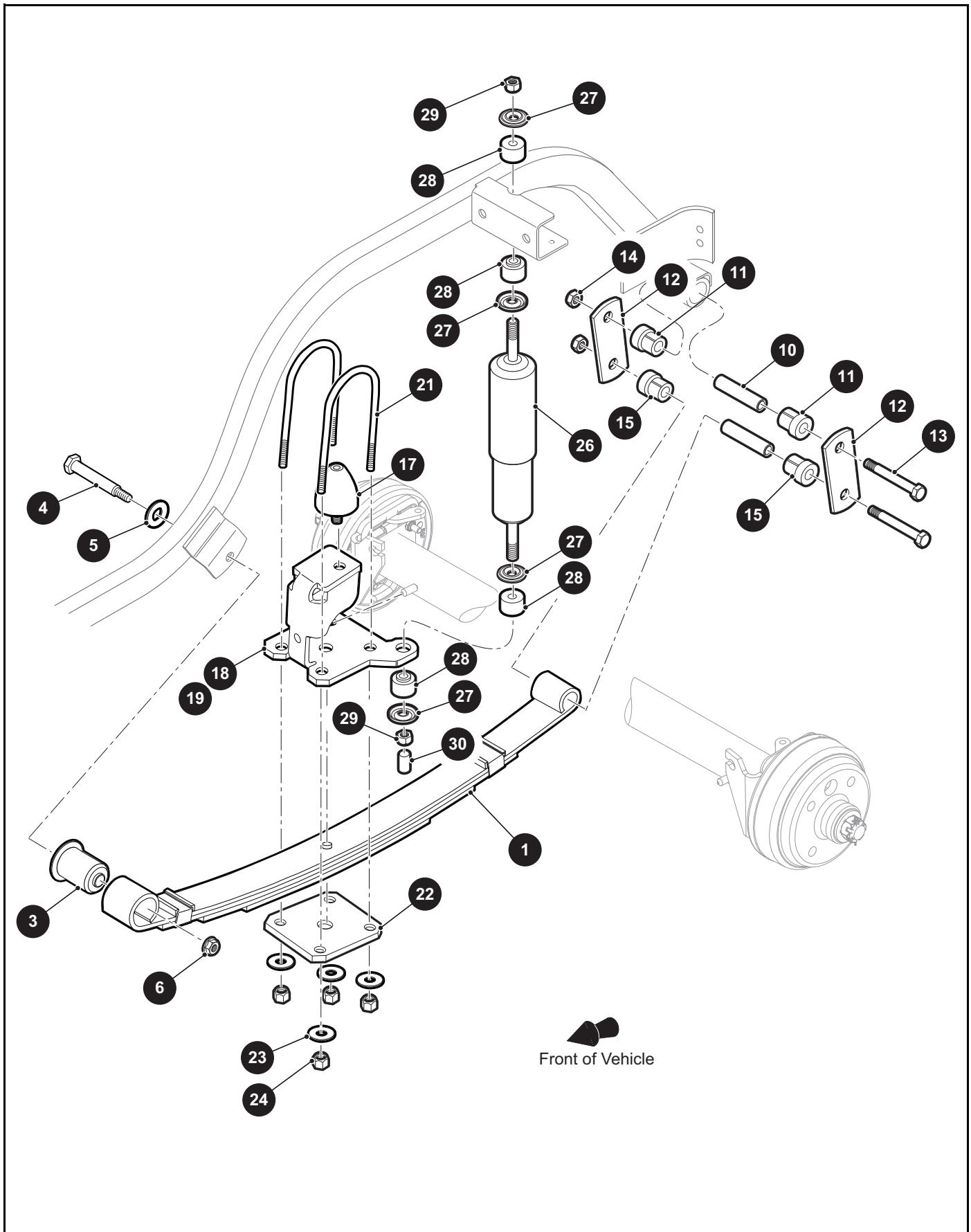
\* Indicates a component that is not available as an individual part.

\*\*\* Indicates consult Customer Service Department for additional information.

ITEM	PART NO.	1	2	3	4	5	DESCRIPTION	QTY.
32	<u>645053</u>						COUNTER SHAFT.....	1
33	<u>640744</u>						BALL BEARING (6006).....	1
34	<u>644530</u>						GEAR, 38.....	1
35	<u>639869</u>						KNOCK PIPE.....	2
36	<u>645059</u>						BALL BEARING (6304).....	2
37	<u>639768</u>						FLANGED HEX HEAD BOLT, M8 - 1.25 X 40MM LG.....	1
38	<u>644536</u>						GEAR, 15.....	1
39	<u>28689G01</u>						COLLAR, 24 X 7.5MM.....	1
40	<u>644541</u>						GEAR, 48.....	1
41	<u>670697</u>						CENTER SHAFT.....	1
42	<u>639774</u>						CLUTCH PIN.....	1
43	<u>670696</u>						GEAR, 61.....	1
44	<u>639797</u>						SPACER, 20 X 2MM.....	2
45	<u>639872</u>						DIFFERENTIAL CASE (INCLUDES ITEMS 33, 46, 48 AND 49).....	1
46	<u>639800</u>						DIFFERENTIAL PAIR GEAR.....	1
47	<u>26808G01</u>						HEX HEAD BOLT, M10 - 1.25 X 26MM LG.....	6
48	<u>28723G01</u>						DIFFERENTIAL SHAFT.....	1
49	<u>28697G01</u>						SPRING PIN, 4 X 40L.....	1
50	<u>645061</u>						BALL BEARING (6007).....	1
51	<u>644542</u>						GEAR, 62 COMPLETE (INCLUDES ITEM 50).....	1
52	<u>607938</u>						CASTLED NUT, M22 - 1.5.....	2
53	<u>639876</u>						AXLE SHAFT L COMPLETE (INCLUDES ITEM 55).....	1
54	<u>639881</u>						AXLE SHAFT R COMPLETE (INCLUDES ITEM 55).....	1
55	<u>639836</u>						BALL BEARING (6205DD).....	2
56	<u>607939</u>						AXLE CASE L COMPLETE.....	1
57	<u>607940</u>						AXLE CASE R COMPLETE.....	1
58	<u>26814G01</u>						SNAP RING, 52MM.....	2
59	<u>639839</u>						FLANGED HEX HEAD BOLT, M8 - 1.25 X 60MM LG.....	9
60	<u>639840</u>						FLANGED HEX HEAD BOLT, M10 - 1.25 X 25MM LG.....	10
61	<u>645063</u>						SHIFT SHAFT COMPLETE.....	1
62	<u>639847</u>						DIFFERENTIAL ASSEMBLY (INCLUDES ITEMS 45, 47 AND 51).....	1



# REAR SUSPENSION



## REAR SUSPENSION

THE USE OF NON U.L. PARTS WILL VOID ANY U.L. LISTING.

When ordering parts, please specify the model and serial number of the product.

\* Indicates a component that is not available as an individual part.

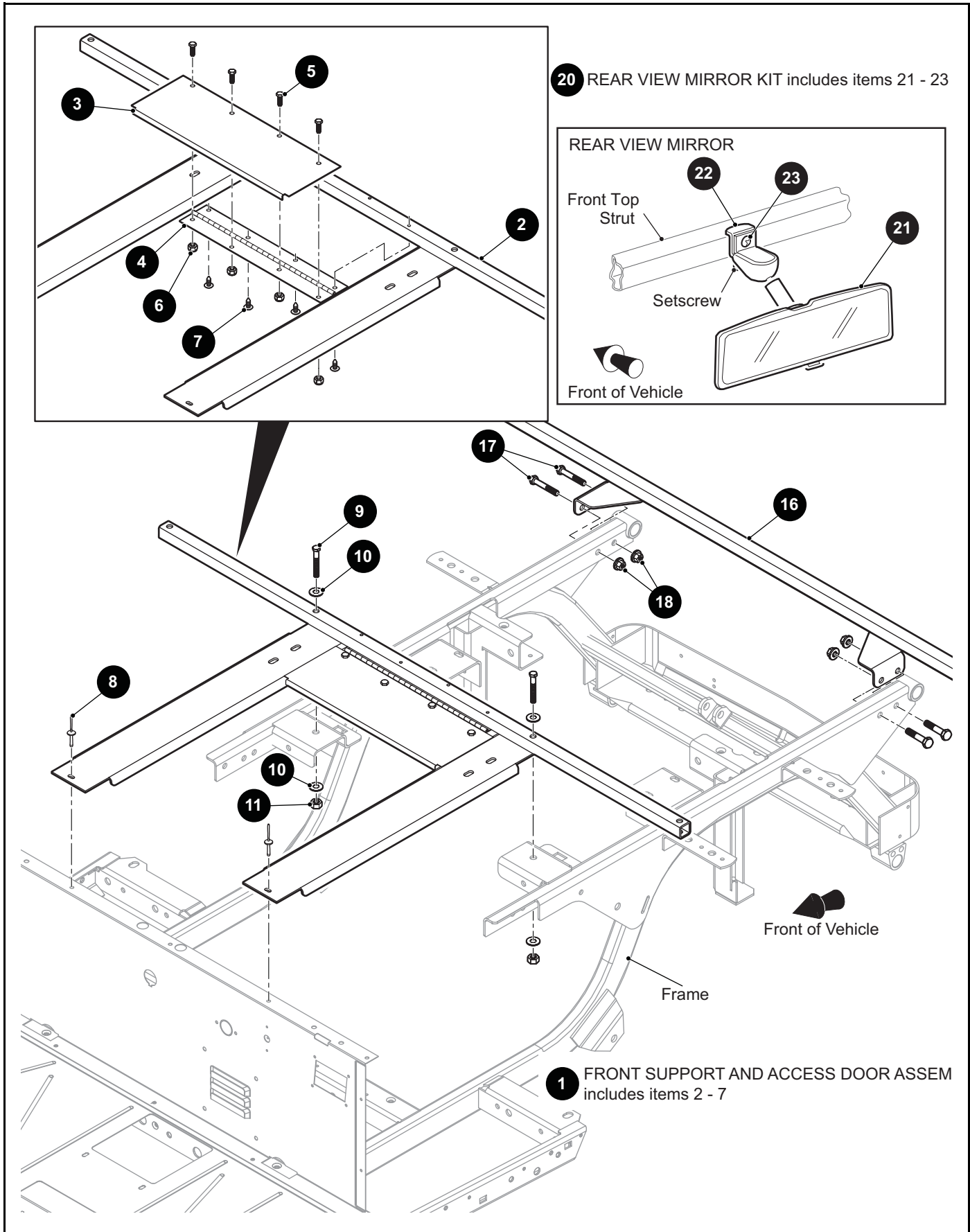
\*\*\* Indicates consult Customer Service Department for additional information.

ITEM	PART NO.	1 2 3 4 5	DESCRIPTION	QTY.
1	<u>620413</u>		HEAVY DUTY LEAF SPRING (900 LBS).....	2
2				
3	<u>605445</u>		LEAF SPRING BUSHING (FRONT) .....	2
4	<u>00665G9</u>		HEX HEAD BOLT (SS), 3/8" - 16 X 1" LG .....	2
5	<u>00643G1</u>		FLAT WASHER, 3/8" .....	2
6	<u>12262G1</u>		FLANGED LOCK NUT, 3/8" - 16.....	2
7				
8				
9				
10	<u>70289G02</u>		SPLIT SPACER (STEEL), I.D .376" X O.D 1" X 1" LG .....	2
11	<u>624030</u>		FLANGED BUSHING, 3/8" -16 X 23.7MM LG .....	2
12	<u>652252G03</u>		SHACKLE PLATE .....	2
13	<u>00665G9</u>		HEX HEAD BOLT (SS), 3/8" - 16 X 3 1/2" LG .....	2
14	<u>11098G5</u>		LOCK NUT, 3/8" - 16.....	2
15	<u>624030</u>		FLANGED BUSHING, 3/8" -16 X 23.7MM LG .....	4
16				
17	<u>70492G01</u>		RUBBER BUMPER.....	1
18	<u>652400</u>		AXLE BRACKET (DRIVER SIDE).....	1
19	<u>652402</u>		AXLE BRACKET (PASSENGER SIDE).....	1
20				
21	<u>32195G3</u>		U-BOLT, 2 3/8" .....	2
22	<u>652246</u>		REAR SUSPENSION PLATE .....	1
23	<u>00643G1</u>		FLAT WASHER, 3/8" .....	4
24	<u>11098G5</u>		LOCK NUT, 3/8" - 16.....	4
25				
26	<u>642085</u>		SHOCK ABSORBER.....	2
27	<u>10435G1</u>		SHOCK ABSORBER WASHER, I.D 0.406" X O.D 1.25" .....	8
28	<u>10194G1</u>		RUBBER SHOCK BUSHING .....	8
29	<u>00532G6</u>		HEX NUT, 1/4" - 20 .....	4
30	<u>10044G01</u>		VINYL CAP.....	2





# REFRESHER UNIT





# REFRESHER UNIT

THE USE OF NON U.L. PARTS WILL VOID ANY U.L. LISTING.

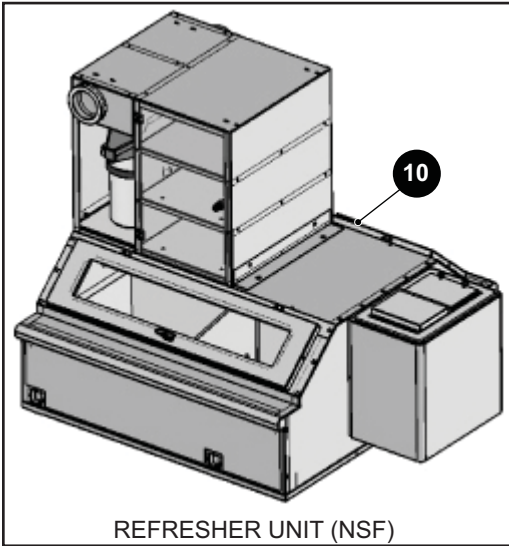
When ordering parts, please specify the model and serial number of the product.

\* Indicates a component that is not available as an individual part.

\*\*\* Indicates consult Customer Service Department for additional information.

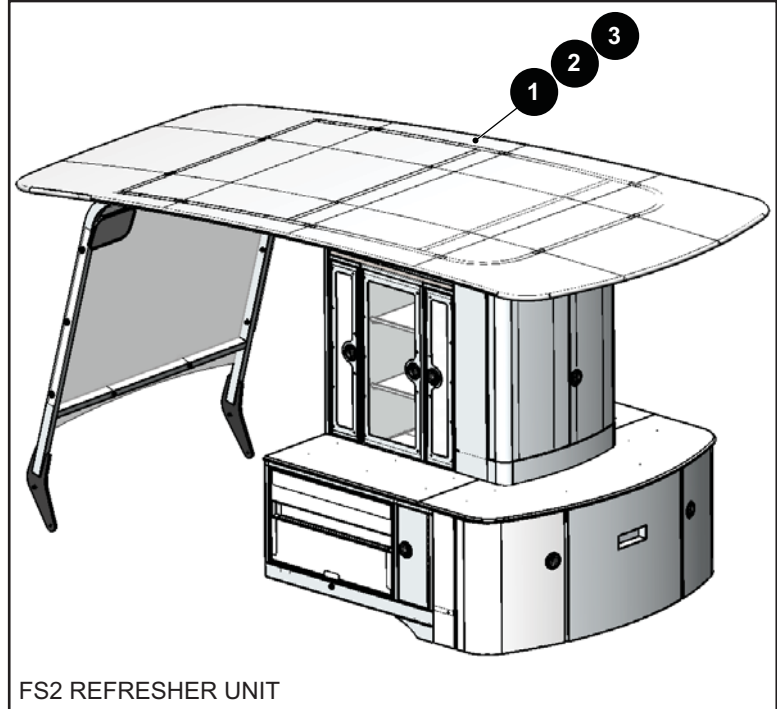
ITEM	PART NO.	1 2 3 4 5	DESCRIPTION	QTY.
1	<u>74421G02</u>		FRONT SUPPORT AND ACCESS DOOR ASSEMBLY (INCLUDES ITEMS 2 - 7) .....	1
2	<u>609223</u>		FRONT SUPPORT WELDMENT.....	1
3	<u>74392G02</u>		ACCESS PANEL .....	1
4	<u>33121G01</u>		HINGE .....	1
5	<u>00414G5</u>		HEX HEAD BOLT, 1/4" - 20 X 1/2" LG.....	4
6	<u>14390G4</u>		LOCK NUT, 1/4" - 20 .....	4
7	<u>00106G6</u>		PAN HEAD PHILLIPS SCREW, #12 - 24 X 3/4" LG.....	4
8	<u>10570G10</u>		RIVET (SS), 5/32" .....	2
9	<u>00439G8</u>		HEX HEAD BOLT, 5/16" - 18 X 2" LG .....	2
10	<u>00559G8</u>		FLAT WASHER, 5/16".....	4
11	<u>11098G6</u>		LOCK NUT, 5/16" - 18.....	2
12				
13				
14				
15				
16	<u>608827</u>		REFRESHER MOUNT WELDMENT .....	1
17	<u>00427G8</u>		HEX HEAD BOLT, 3/8" - 16 X 2" LG .....	4
18	<u>11027G5</u>		LOCK NUT, 3/8" - 16.....	4
19				
20	<u>19528G2</u>		REAR VIEW MIRROR KIT (INCLUDES ITEMS 21 - 23) .....	1
21	<u>19496G1</u>		REAR VIEW MIRROR.....	1
22	<u>19502G2</u>		SUPPORT BRACKET .....	1
23	<u>19527G1</u>		PAN HEAD SCREW (SS), #8 - 32 X 5/8" LG .....	1
24				
25	<u>601379</u>		REAR VIEW MIRROR KIT (5 PANEL WIDE VIEW) (NOT ILLUSTRATED) ....	1

# REFRESHER UNIT

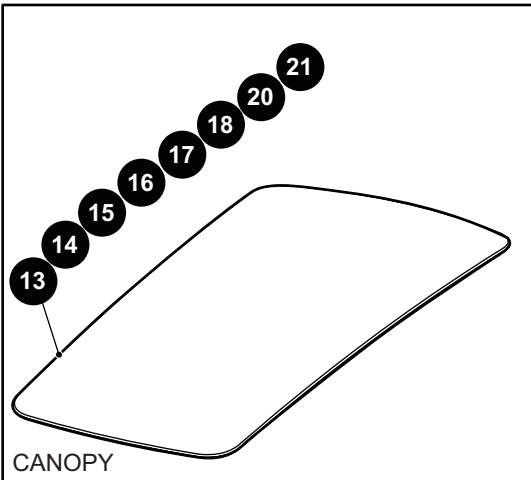


REFRESHER UNIT (NSF)

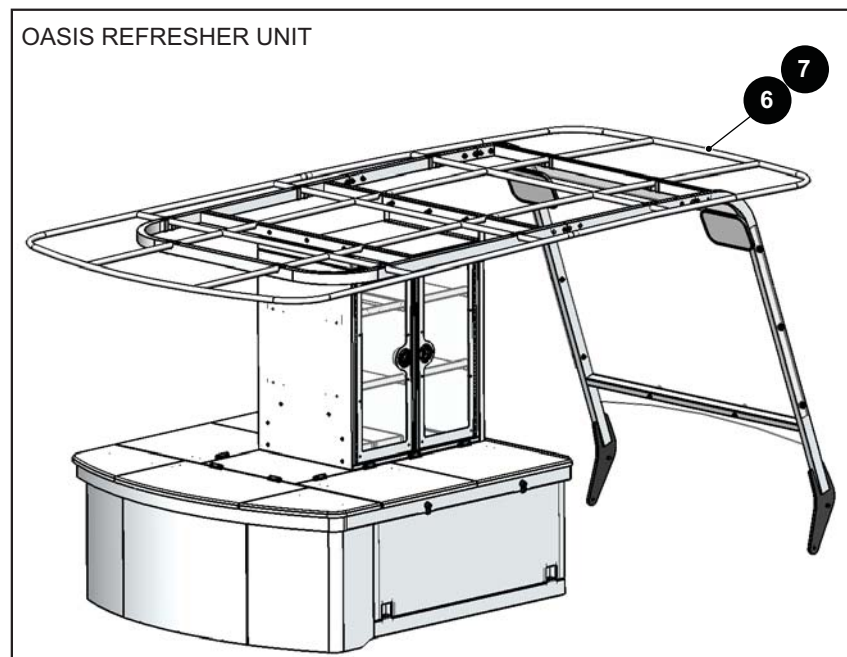
REFRESHER UNITS SHOWN FOR REPRESENTATION PURPOSE ONLY



FS2 REFRESHER UNIT



CANOPY



OASIS REFRESHER UNIT

# REFRESHER UNIT

THE USE OF NON U.L. PARTS WILL VOID ANY U.L. LISTING.  
 When ordering parts, please specify the model and serial number of the product.  
 \* Indicates a component that is not available as an individual part.  
 \*\*\* Indicates consult Customer Service Department for additional information.

ITEM	PART NO.	1 2 3 4 5	DESCRIPTION	QTY.
1	<u>654409G01</u>		REFRESHER UNIT, FS2 (PEBBLE PLATINUM) .....	1
2	<u>654409G02</u>		REFRESHER UNIT, FS2 (DESERT STONE) .....	1
3	<u>654409G03</u>		REFRESHER UNIT, FS2 (CUSTOM COLOR).....	1
4				
5				
6	<u>654411G01</u>		REFRESHER UNIT, OASIS (GRAPHITE GREY) .....	1
7	<u>654411G02</u>		REFRESHER UNIT, OASIS (CUSTOM COLOR) .....	1
8				
9				
10	<u>655059</u>		REFRESHER UNIT, 1200 .....	1
11				
12			<b>ITEMS 13 - 21 (FOR FS2 AND OASIS ONLY)</b>	
13	<u>634245G02</u>		CANOPY (CLINTON GRANITE) .....	1
14	<u>634245G03</u>		CANOPY (CLASSIC REGIMENTAL) .....	1
15	<u>634245G04</u>		CANOPY (WALNUT BROWN TWEED) .....	1
16	<u>634245G05</u>		CANOPY (MOTIVE DENIM) .....	1
17	<u>634245G06</u>		CANOPY (TRESKO BIRCH) .....	1
18	<u>634245G08</u>		CANOPY (FOREST GREEN BEIGE) .....	1
19				
20	<u>634245G10</u>		CANOPY (CUSTOM) .....	1
21	<u>634245G11</u>		CANOPY (SLATE STANDARD) .....	1
22				
23				
24				
25				
26				
27				
28				
29				
30				
31				

# REFRESHER UNIT

THE USE OF NON U.L. PARTS WILL VOID ANY U.L. LISTING.

When ordering parts, please specify the model and serial number of the product.

\* Indicates a component that is not available as an individual part.

\*\*\* Indicates consult Customer Service Department for additional information.

ITEM	PART NO.	1	2	3	4	5	DESCRIPTION	QTY.
		<b>THE FOLLOWING SERVICE PARTS AND ACCESORIES ARE AVAILABLE FROM 19TH HOLE MARKETING, INC, 400 E. COMSTOCK DRIVE, CHANDLER, AZ 85225, PHONE: (480) 497 - 8280</b>						
32								
33								
34								
35								
36								
37								
38								
39								
40								
41								
42								
43								
44								
45								
46							<b>ITEMS 48 - 137 NOT SHOWN</b>	
47							<b>ITEMS 48 - 118 (FOR FS2 ONLY)</b>	
48	634244G01						COUNTER TOP (BEIGE) .....	1
49								
50								
51								
52								
53	634244G06						COUNTER TOP (MERCURY GREY) .....	1
54								
55								
56								
57								
58								
59	<u>634128G01</u>						SNACK MODULE WITH HOOKS (PEBBLE PLATINUM), 6" .....	1
60	<u>634128G02</u>						SNACK MODULE WITH HOOKS (DESERT STONE), 6" .....	1

# REFRESHER UNIT

THE USE OF NON U.L. PARTS WILL VOID ANY U.L. LISTING.

When ordering parts, please specify the model and serial number of the product.

\* Indicates a component that is not available as an individual part.

\*\*\* Indicates consult Customer Service Department for additional information.

ITEM	PART NO.	1 2 3 4 5	DESCRIPTION	QTY.
61	<u>634129G01</u>		SNACK MODULE WITH HOOKS (PEBBLE PLATINUM), 12" .....	1
62	<u>634129G02</u>		SNACK MODULE WITH HOOKS (DESERT STONE), 12" .....	1
63	<u>634130G01</u>		CUP HOLDER MODULE (PEBBLE PLATINUM) .....	1
64	<u>634130G02</u>		CUP HOLDER MODULE (DESERT STONE) .....	1
65	<u>634131G01</u>		STANDARD MODULE SHELVES (PEBBLE PLATINUM), 12" .....	1
66	<u>634131G02</u>		STANDARD MODULE SHELVES (DESERT STONE), 12" .....	1
67	<u>634132G01</u>		STANDARD MODULE SHELVES (PEBBLE PLATINUM), 18" .....	1
68	<u>634132G02</u>		STANDARD MODULE SHELVES (DESERT STONE), 18" .....	1
69	<u>634139</u>		MINI TRAY SET, 3 PACK .....	1
70	<u>634133</u>		CANDY AND SANDWICH DRAWER INSERTS .....	1
71	<u>634249</u>		CONSUMABLE ICE INSERT .....	1
72	<u>634250G01</u>		SINGLE AIRPOT HOLDER (POLAR WHITE), 12" .....	1
73				
74				
75				
76				
77	<u>634251G01</u>		DUAL AIRPOT HOLDER (POLAR WHITE), 18" .....	1
78				
79				
80				
81				
82	<u>634251G06</u>		DUAL AIRPOT HOLDER (GREY), 18" .....	1
83	<u>640547</u>		DRAWER SLIDES (1 PAIR) .....	1
84				
85	<u>634135</u>		SNACK MODULE KIT .....	1
86	<u>634137</u>		STANDARD SHELVES, 12" .....	1
87	<u>634138</u>		WEDGE SHELVES, 12" .....	1
88	<u>634140</u>		SINGLE AIRPOT HOLDER, 12" .....	1
89	<u>634141</u>		HUMIDOR SHELF .....	1
90	<u>634143</u>		STANDARD SHELVES, 18" .....	1
91	<u>634144</u>		WEDGE SHELVES, 18" .....	1

# REFRESHER UNIT

THE USE OF NON U.L. PARTS WILL VOID ANY U.L. LISTING.

When ordering parts, please specify the model and serial number of the product.

\* Indicates a component that is not available as an individual part.

\*\*\* Indicates consult Customer Service Department for additional information.

ITEM	PART NO.	1	2	3	4	5	DESCRIPTION	QTY.
92	634145						DUAL AIRPOT HOLDER .....	1
93								
94								
95	<u>634148G01</u>						AIRPOT BOTTLE REVERSIBLE INSERT (POLAR WHITE) .....	1
96								
97								
98								
99								
100	<u>634149G01</u>						COFFEE AND CREAMER TRAY (PEBBLE PLATINUM) .....	1
101	<u>634149G02</u>						COFFEE AND CREAMER TRAY (DESERT STONE) .....	1
102	<u>634150G01</u>						NAPKIN AND BOTTLE HOLDER SHELVES (PEBBLE PLATINUM) .....	1
103	<u>634150G02</u>						NAPKIN AND BOTTLE HOLDER SHELVES (DESERT STONE) .....	1
104	<u>634151G01</u>						MINI BOTTLE HOLDER (PEBBLE PLATINUM).....	1
105	<u>634151G02</u>						MINI BOTTLE HOLDER (DESERT STONE).....	1
106								
107								
108								
109								
110	<u>636431</u>						DRAWER DIVIDERS (2 PACK).....	1
111	637792G01						CUP MODULE (PEBBLE PLATINUM), 18" .....	1
112	637792G02						CUP MODULE (DESERT STONE), 18" .....	1
113	636432G01						FOOD WARMER (PEBBLE PLATINUM), 18" .....	1
114	636432G02						FOOD WARMER (DESERT STONE), 18" .....	1
115	637793G01						SELF CONTAINED KEG MODULE (PEBBLE PLATINUM), 24" .....	1
116	637793G02						SELF CONTAINED KEG MODULE (DESERT STONE), 24" .....	1
117	<u>640548</u>						CUP DISPENSERS MODULE STORAGE BOX, 18" .....	1
118	<u>640549</u>						CUP DISPENSERS MODULE STORAGE BOX, 12" .....	1
119								
120								
121								
122								

# REFRESHER UNIT

THE USE OF NON U.L. PARTS WILL VOID ANY U.L. LISTING.  
 When ordering parts, please specify the model and serial number of the product.  
 \* Indicates a component that is not available as an individual part.  
 \*\*\* Indicates consult Customer Service Department for additional information.

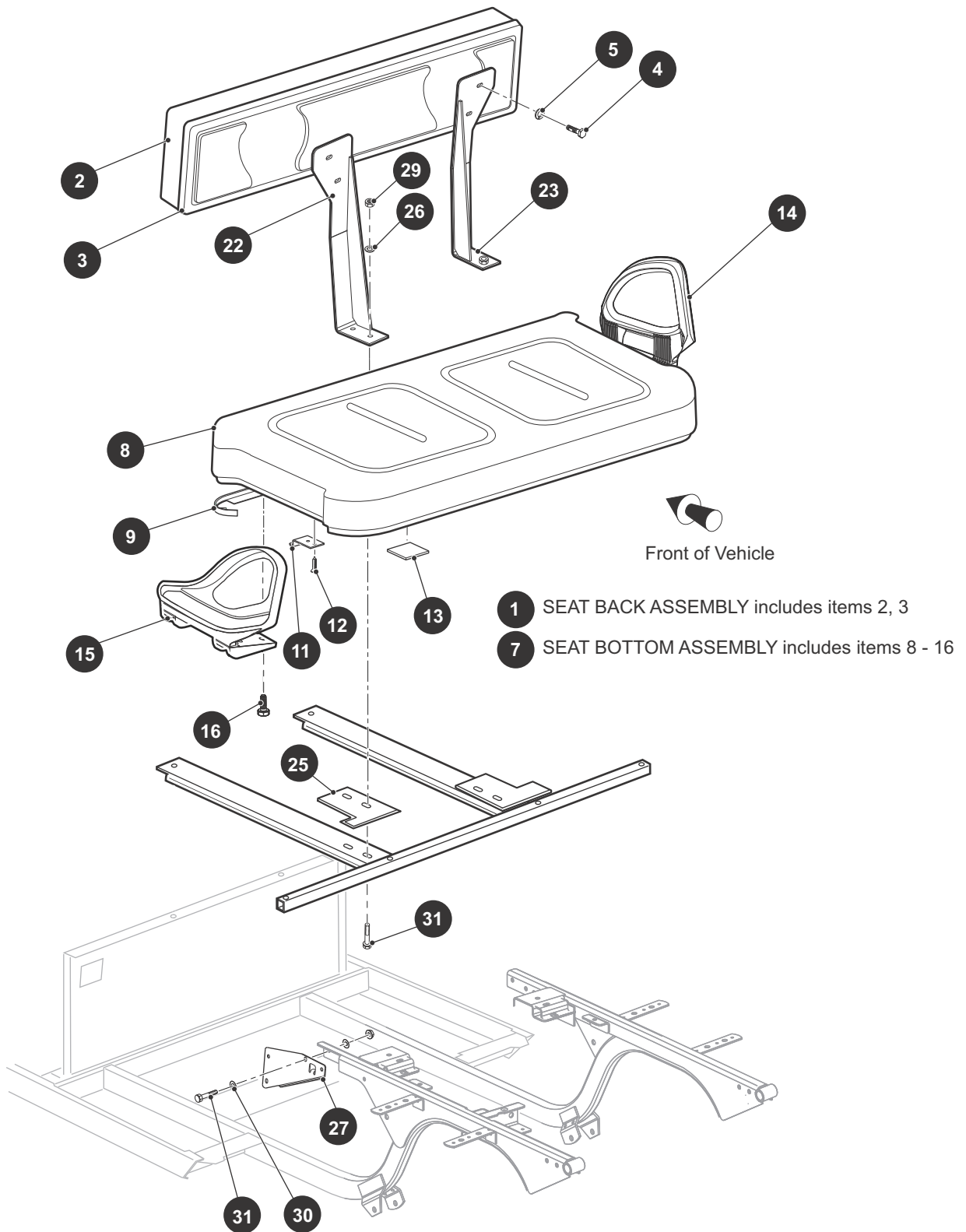
ITEM	PART NO.	1 2 3 4 5	DESCRIPTION	QTY.
123			<b>ITEMS 124 (FOR FS2 AND OASIS)</b>	
124	<u>634147</u>		AIRPOT (SS), 3 LITER .....	1
125				
126	<u>634148G06</u>		AIRPOT BOTTLE REVERSIBLE INSERT (GREY).....	1
127				
128				
129				
130				
131			<b>ITEMS 132 - 137 (FOR OASIS ONLY)</b>	
132	648343		HUMIDOR .....	1
133	648344		CONSUMABLE ICE BIN .....	1
134	648346		AIRPOT BRACKET ASSEMBLY WITH AIRPOTS .....	1
135	648347		ICE SINK.....	1
136	648348		REVERSIBLE BOTTLE HOLDER.....	1
137	648410		LID LOCK KEY (2 PIECES) .....	1







# SEATING



THE USE OF NON U.L. PARTS WILL VOID ANY U.L. LISTING.

When ordering parts, please specify the model and serial number of the product.

\* Indicates a component that is not available as an individual part.

\*\*\* Indicates consult Customer Service Department for additional information.

ITEM	PART NO.	1 2 3 4 5	DESCRIPTION	QTY.
1	71274G**		SEAT BACK ASSEMBLY (INCLUDES ITEMS 2, 3)..... 71274G01 WHITE 71274G03 TAN 71274G04 GRAY 71274G05 OYSTER	1
2	18144G**		VINYL SEAT BACK COVER..... 18144G2 WHITE 18144G6 OYSTER 18144G4 TAN 18144G5 GRAY	1
3	<u>74889G01</u>		PLASTIC SEAT BACK COVER (BLACK) .....	1
4	<u>605056</u>		HEX HEAD BOLT, 1/4" - 20 X 1" LG .....	4
5	<u>00664G7</u>		LOCK WASHER, 1/4" .....	4
6				
7	629269G**		SEAT BOTTOM ASSEMBLY (INCLUDES ITEMS 8 - 16)..... 629269G0501 OYSTER 629269G0503 TAN 629269G0505 WHITE 629269G0504 GRAY	1
8	71624G**		VINYL SEAT BOTTOM COVER .....	1
			71624G03 OYSTER 71624G04 TAN 71624G01 WHITE 71624G02 GRAY	
9	<u>71012G01</u>		VINYL TRIM (SEAT BOTTOM).....	1
10				
11	<u>71610G01</u>		SEAT HINGE .....	2
12	00720G8		FLAT HEAD PHILLIPS TAPPING SCREW, #12 - 14 X 1" LG.....	6
13	<u>17074G1</u>		SOILING SLAB.....	2
14	<u>617644</u>		HIP RESTRAINT (PASSENGER SIDE) .....	1
15	<u>617645</u>		HIP RESTRAINT (DRIVER SIDE).....	1
16	<u>615417</u>		BUTTON HEAD TORX BOLT, M10 - 1.5 X 25MM LG.....	8
17				
18				
19				
20				
21				

# SEATING

THE USE OF NON U.L. PARTS WILL VOID ANY U.L. LISTING.

When ordering parts, please specify the model and serial number of the product.

\* Indicates a component that is not available as an individual part.

\*\*\* Indicates consult Customer Service Department for additional information.

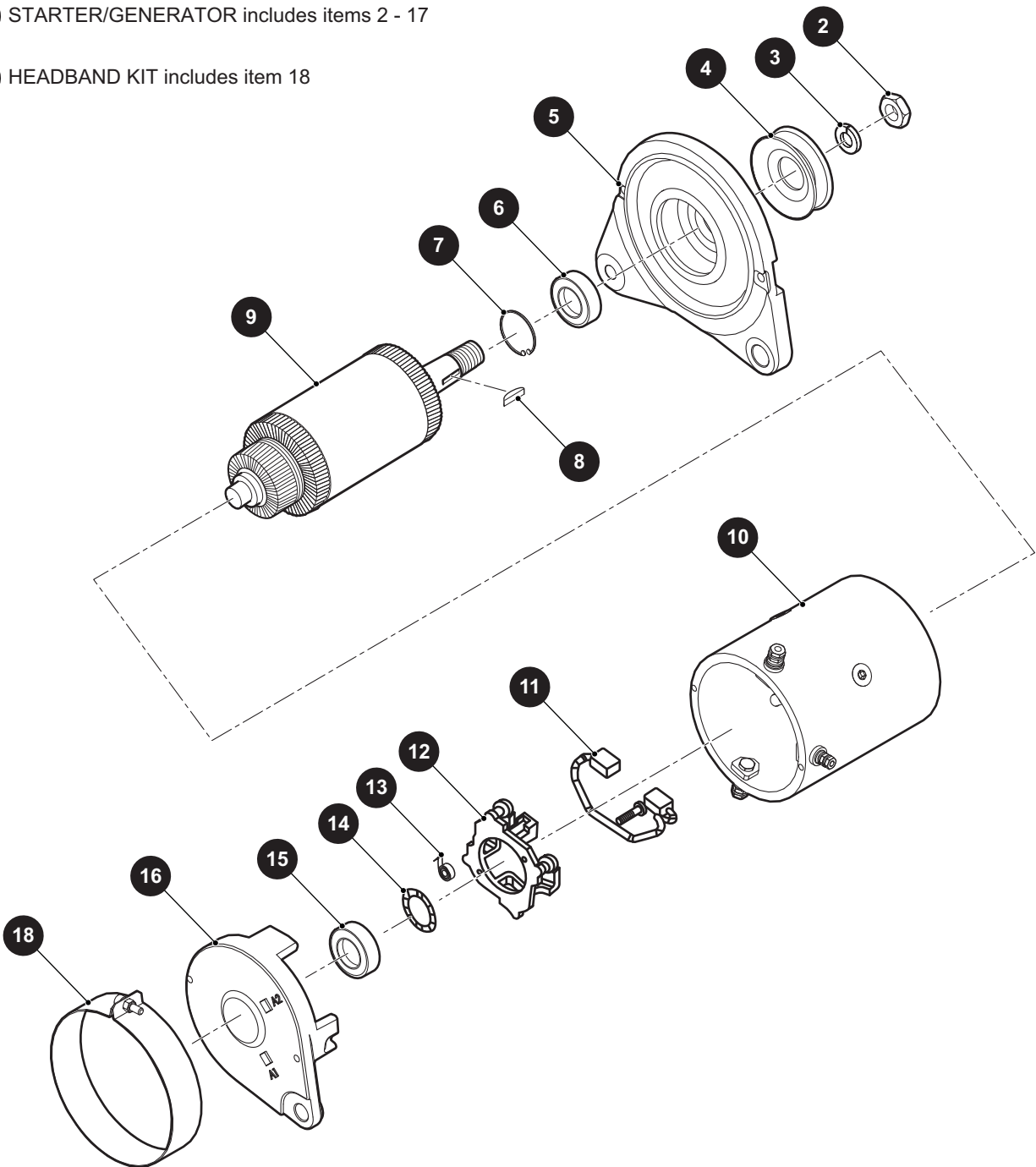
ITEM	PART NO.	1 2 3 4 5	DESCRIPTION	QTY.
22	<u>652701G103</u>		SEAT BACK SUPPORT (DRIVER SIDE) .....	1
23	<u>652701G203</u>		SEAT BACK SUPPORT (PASSENGER SIDE).....	1
24				
25	<u>652717G03</u>		SIDE COVER .....	2
26	00559G8		FLAT WASHER, 5/16" .....	4
27	<u>634703</u>		AIR CLEANER BRACKET.....	1
28				
29	11098G6		LOCK NUT, 5/16" - 18 .....	6
30	<u>00571G2</u>		FLAT WASHER, 5/16" .....	3
31	<u>00438G8</u>		HEX HEAD BOLT, 5/16" - 18 X 1" LG.....	6



# STARTER AND GENERATOR

1 STARTER/GENERATOR includes items 2 - 17

17 HEADBAND KIT includes item 18



## STARTER AND GENERATOR

THE USE OF NON U.L. PARTS WILL VOID ANY U.L. LISTING.

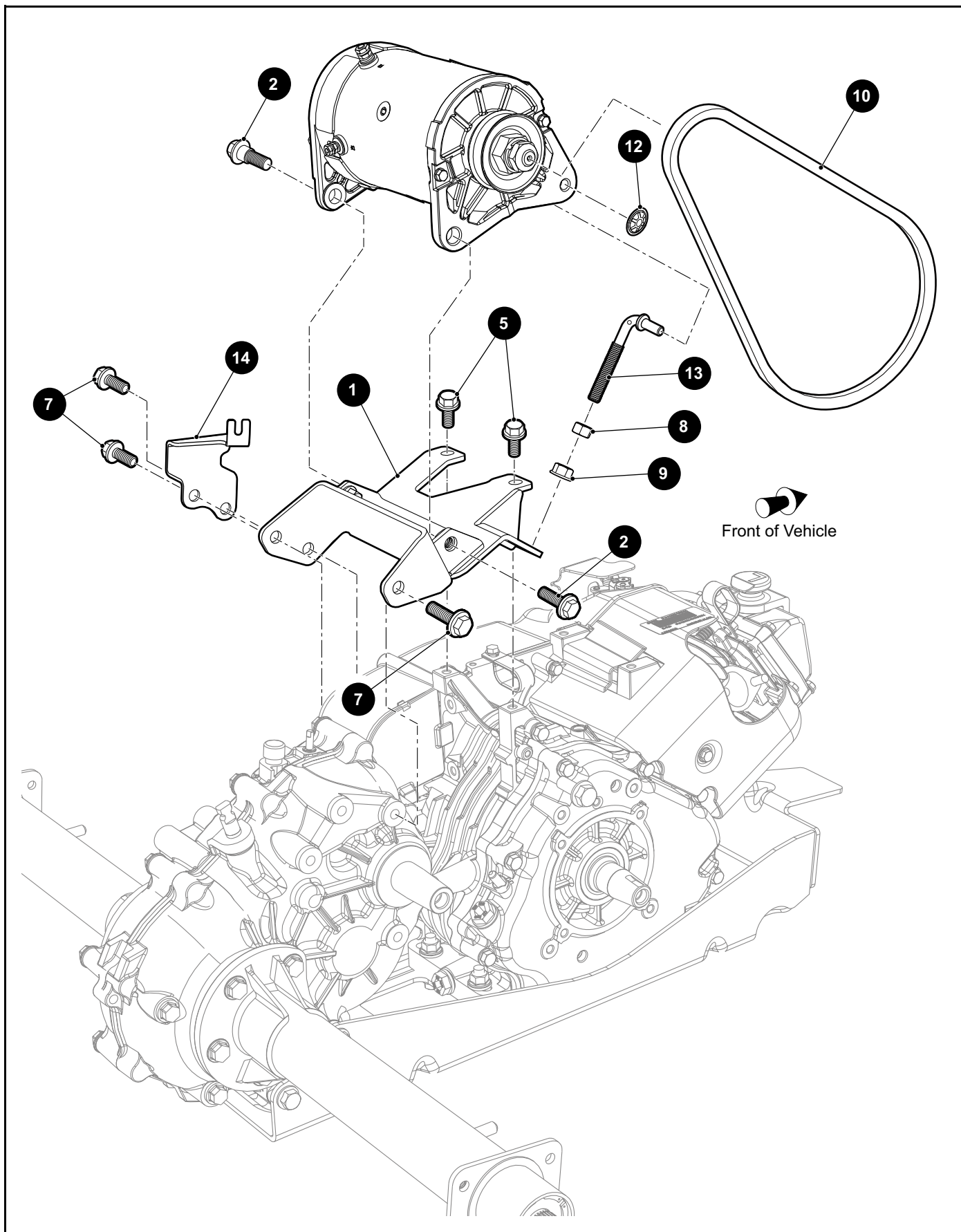
When ordering parts, please specify the model and serial number of the product.

\* Indicates a component that is not available as an individual part.

\*\*\* Indicates consult Customer Service Department for additional information.

ITEM	PART NO.	1 2 3 4 5	DESCRIPTION	QTY.
1	<u>660379</u>		STARTER/GENERATOR (INCLUDES ITEMS 2 - 17) .....	1
2	<u>612029</u>		HEX NUT .....	1
3	<u>612030</u>		LOCK WASHER .....	1
4	<u>625716</u>		PULLEY, 2.5" O.D. ....	1
5	<u>654715</u>		DRIVE END HEAD COVER .....	1
6	<u>612033</u>		BEARING .....	1
7	<u>612034</u>		RETAINING RING .....	1
8	<u>612035</u>		WOODRUFF KEY .....	1
9	<u>612036</u>		ARMATURE ASSEMBLY .....	1
10	<u>654716</u>		FRAME AND FIELD ASSEMBLY .....	1
11	<u>612038</u>		BRUSH LEAD AND TERMINAL PACKAGE .....	1
12	<u>654717</u>		BRUSH BOX ASSEMBLY .....	1
13	<u>656659</u>		BRUSH SPRING .....	4
14	<u>612043</u>		WAVY WASHER .....	1
15	<u>612044</u>		BEARING .....	1
16	<u>612045</u>		COMMUTATOR END HEAD .....	1
17	<u>658172</u>		HEADBAND KIT (INCLUDES ITEM 18) .....	1
18	<u>654718</u>		HEADBAND .....	1

# STARTER AND GENERATOR





## STARTER AND GENERATOR

THE USE OF NON U.L. PARTS WILL VOID ANY U.L. LISTING.

When ordering parts, please specify the model and serial number of the product.

\* Indicates a component that is not available as an individual part.

\*\*\* Indicates consult Customer Service Department for additional information.

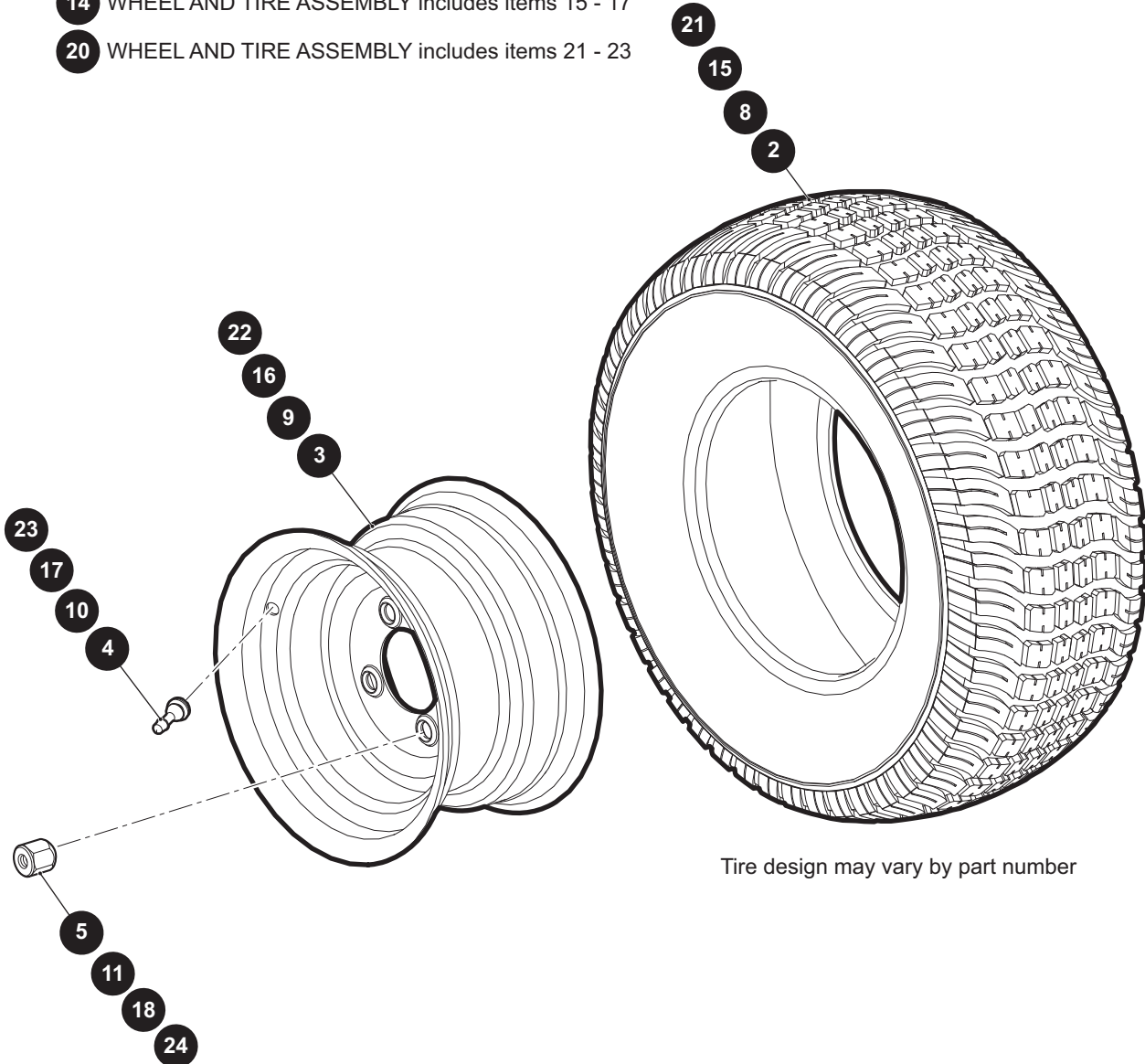
ITEM	PART NO.	1 2 3 4 5	DESCRIPTION	QTY.
1	<u>631972</u>		STARTER/GENERATOR SUPPORT BRACKET .....	1
2	<u>606235</u>		FLANGED HEX HEAD BOLT, M10 - 1.25 X 20MM LG.....	2
3				
4				
5	<u>606261</u>		FLANGED HEX HEAD BOLT, M8 - 1.25 X 20MM LG.....	2
6				
7	<u>606256</u>		FLANGED HEX HEAD BOLT, M10 - 1.25 X 25MM LG.....	3
8	<u>606255</u>		HEX JAM NUT, M10 - 1.25 .....	1
9	<u>606274</u>		FLANGED HEX NUT, M10 - 1.25.....	1
10	<u>630587</u>		STARTER/GENERATOR BELT.....	1
11				
12	<u>12064G6</u>		PUSH NUT, 5/16" .....	1
13	<u>629763</u>		TENSIONER BOLT .....	1
14	<u>603884</u>		CABLE GUIDE BRACKET .....	1





# WHEELS AND TIRES

- 1 WHEEL AND TIRE ASSEMBLY includes items 2 - 4
- 7 WHEEL AND TIRE ASSEMBLY includes items 8 - 10
- 14 WHEEL AND TIRE ASSEMBLY includes items 15 - 17
- 20 WHEEL AND TIRE ASSEMBLY includes items 21 - 23



Tire design may vary by part number

# WHEELS AND TIRES

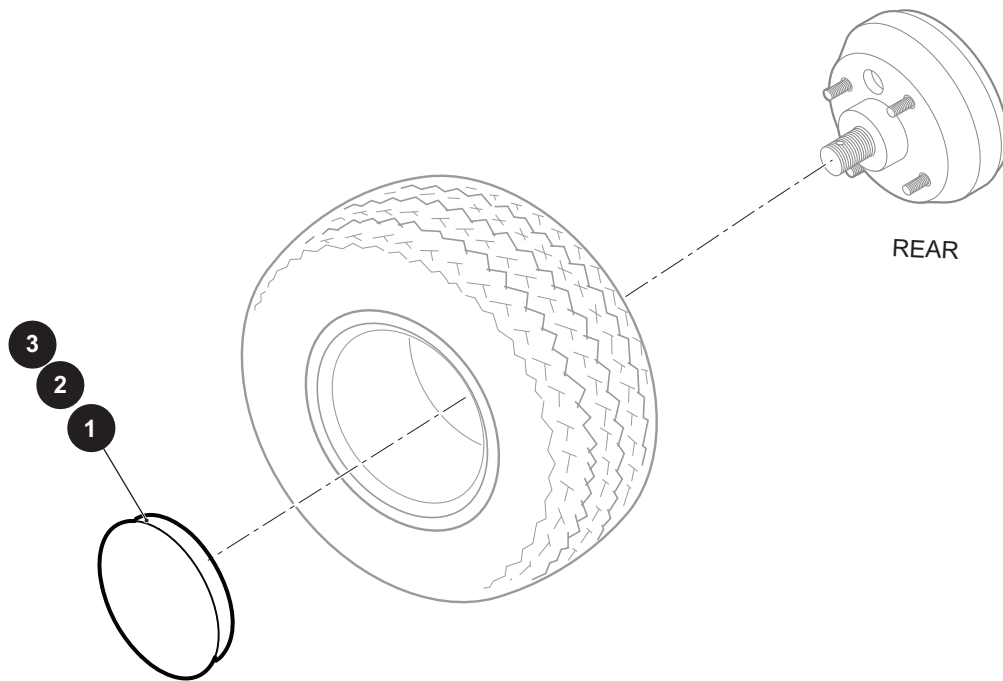
THE USE OF NON U.L. PARTS WILL VOID ANY U.L. LISTING.

When ordering parts, please specify the model and serial number of the product.

\* Indicates a component that is not available as an individual part.

\*\*\* Indicates consult Customer Service Department for additional information.

ITEM	PART NO.	1 2 3 4 5	DESCRIPTION	QTY.
1	<u>652263</u>		WHEEL AND TIRE ASSEMBLY (KENDA) (INCLUDES ITEMS 2 - 4) .....	1
2	<u>652986</u>		TIRE, 20 X 8 - 10, 6PLY .....	1
3	<u>643934</u>		WHEEL, 10 X 6 .....	1
4	<u>643948</u>		VALVE STEM.....	1
5	<u>14723G1</u>		LUG NUT, 1/2" - 20 .....	4
6				
7	<u>652392</u>		WHEEL AND TIRE ASSEMBLY (KENDA) (INCLUDES ITEMS 8 - 10) .....	1
8	<u>652992</u>		TIRE, 205/65 - 10, 6PLY .....	1
9	<u>643934</u>		WHEEL, 10 X 6 .....	1
10	<u>643948</u>		VALVE STEM.....	1
11	<u>14723G1</u>		LUG NUT, 1/2" - 20 .....	4
12				
13				
14	<u>652255</u>		WHEEL AND TIRE ASSEMBLY (KENDA) (INCLUDES ITEMS 15 - 17) .....	1
15	<u>652989</u>		TIRE, 18 X 8.5 - 8, 6PLY (KENDA).....	1
16	<u>614621</u>		WHEEL, 8 X 7 .....	1
17	<u>643948</u>		VALVE STEM.....	1
18	<u>14723G1</u>		LUG NUT, 1/2" - 20 .....	4
19				
20	<u>652394</u>		WHEEL AND TIRE ASSEMBLY (KENDA) (INCLUDES ITEMS 21 - 23) .....	1
21	<u>614438</u>		TIRE, 215/60 - 8, 8PLY .....	1
22	<u>614621</u>		WHEEL, 8 X 7 .....	1
23	<u>643948</u>		VALVE STEM.....	1
24	<u>14723G1</u>		LUG NUT, 1/2" - 20 .....	4



## WHEELS AND TIRES

THE USE OF NON U.L. PARTS WILL VOID ANY U.L. LISTING.

When ordering parts, please specify the model and serial number of the product.

\* Indicates a component that is not available as an individual part.

\*\*\* Indicates consult Customer Service Department for additional information.

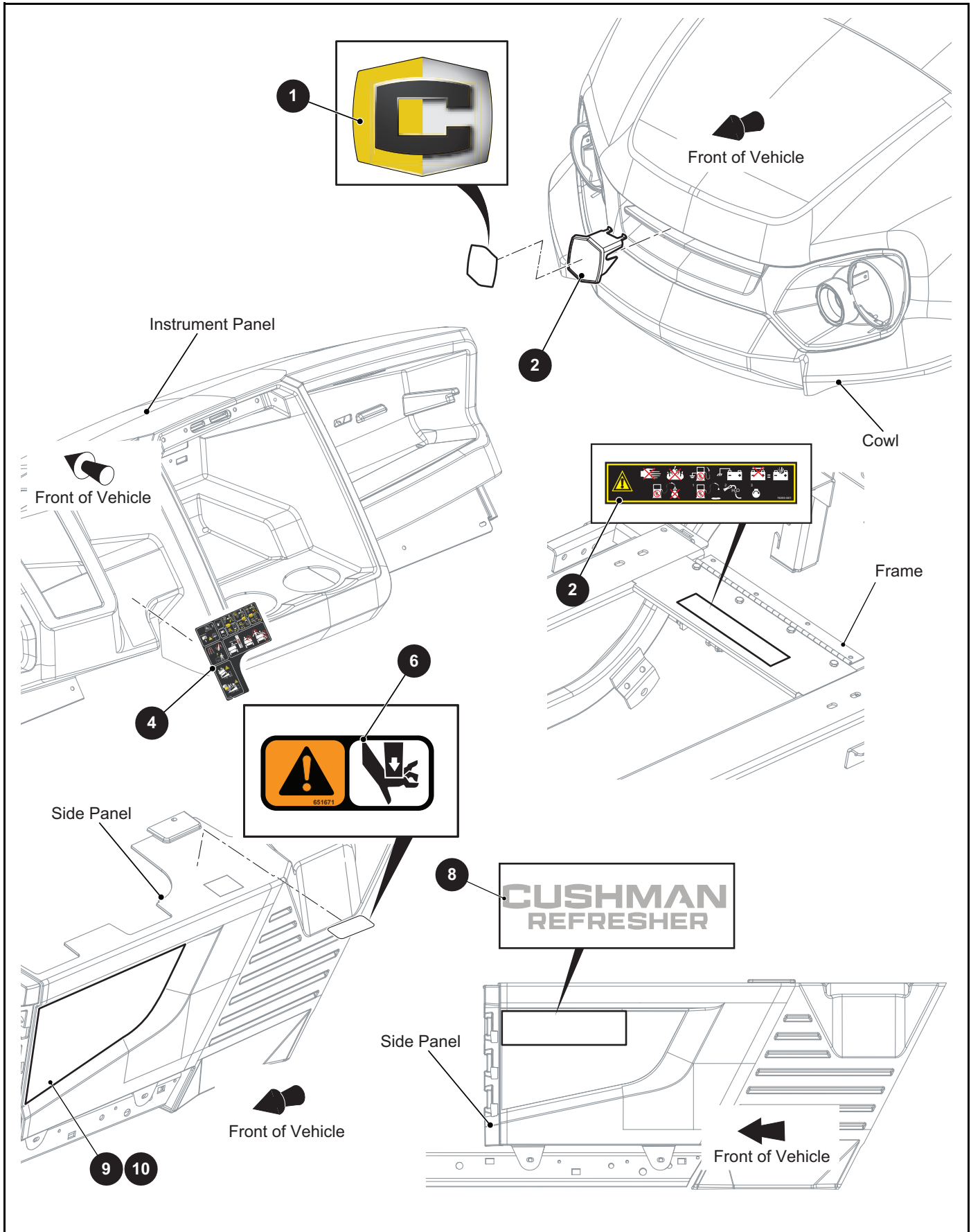
ITEM	PART NO.	1 2 3 4 5	DESCRIPTION	QTY.
1	<u>665149</u>		WHEEL COVER (METALLIC GOLD) (FOR VEHICLES MANUFACTURED AFTER JANUARY 8, 2018) .....	1
2	<u>665144</u>		WHEEL COVER (METALLIC SILVER) (FOR VEHICLES MANUFACTURED AFTER JANUARY 8, 2018) .....	1
3	<u>665151</u>		WHEEL COVER (SILVER) (FOR VEHICLES MANUFACTURED AFTER JANUARY 8, 2018) .....	1







# DECALS AND LABELS



## DECALS AND LABELS

THE USE OF NON U.L. PARTS WILL VOID ANY U.L. LISTING.

When ordering parts, please specify the model and serial number of the product.

\* Indicates a component that is not available as an individual part.

\*\*\* Indicates consult Customer Service Department for additional information.

ITEM	PART NO.	1 2 3 4 5	DESCRIPTION	QTY.
1	<u>650284</u>		COWL DECAL .....	1
2	<u>649875G01</u>		COWL LOGO ATTACHMENT .....	1
3				
4	<u>651654</u>		OPERATING INSTRUCTION LABEL .....	1
5	<u>74093G01</u>		ENGINE WARNING LABEL .....	1
6	<u>651671</u>		PINCH WARNING LABEL .....	1
7				
8	<u>652092</u>		SIDE PANEL DECAL .....	1
9	651580G02XX		SIDE COLOR DECAL (PASSENGER SIDE) (SEE COLOR CODE IN HOW TO USE SECTION) .....	1
10	651580G01XX		SIDE COLOR DECAL (DRIVER SIDE) (SEE COLOR CODE IN HOW TO USE SECTION) .....	1



## DECALS AND LABELS

THE USE OF NON U.L. PARTS WILL VOID ANY U.L. LISTING.

When ordering parts, please specify the model and serial number of the product.

\* Indicates a component that is not available as an individual part.

\*\*\* Indicates consult Customer Service Department for additional information.

ITEM	PART NO.	1 2 3 4 5	DESCRIPTION	QTY.
1	<u>608527</u>		GOVERNOR WARNING LABEL.....	1
2	<u>608822</u>		GOVERNOR (FOR CE VEHICLES) .....	1
3	68203G01		BATTERY WARNING LABEL (FOR CE VEHICLES) .....	1
4	<u>601783</u>		CE SYMBOL LABEL (FOR CE VEHICLES) .....	1
5				
6				
7	<u>614121</u>		OPERATING INSTRUCTION LABEL (FOR CE VEHICLES) .....	1
8	<u>618086</u>		STEERING WHEEL DECAL .....	1
9	664789		WARNING LABEL (STEERING WHEEL) .....	1







**CUSHMAN®**  
**LET'S WORK!**

**Textron Specialized Vehicles, Inc.**  
1451 Marvin Griffin Road  
Augusta, Georgia 30906 - 3852 USA

**CONTACT US:**

North America:

**Technical Assistance & Warranty** Phone: 1-800-774-3946, FAX: 1-800-448-8124  
**Service Parts** Phone: 1-888-438-3946, FAX: 1-800-752-6175

International:

Phone: 001-706-798-4311, FAX: 001-706-771-4609

Service Parts Manuals, as well as Repair and Service Manuals  
are available from a local Distributor, or an authorized Branch,  
Parts & Accessories Department or at [www.cushman.com](http://www.cushman.com).

Copyrighted Material

This manual may not be reproduced in whole  
or in part without the express permission of  
TSV Technical Communications Department