



CUSHMAN®
LET'S WORK!

Shuttle 2+2 Service Parts Manual

ELECTRIC POWERED VEHICLE



643785-V

ISSUED FEBRUARY 2015

REVISED SEPTEMBER 2018

SERVICE PARTS MANUAL

ELECTRIC POWERED UTILITY VEHICLE

SHUTTLE 2 + 2

STARTING MODEL YEAR 2015

CALIFORNIA Proposition 65 Warning

WARNING: Motor vehicles may contain fuels, oils and fluids, battery posts, terminals, and related accessories which contain lead, lead compounds and other chemicals identified by the State of California to potentially cause cancer, birth defects and other reproductive harm. These chemicals are found in vehicles, vehicle parts and accessories, both new and replacements. During maintenance, these vehicles generate used oil, waste fluids, grease, fumes and particulates, all identified by the State of California to potentially cause cancer, birth defects, and other reproductive harm.

DISCLAIMER: The E-Z-GO Division of Textron Inc. (E-Z-GO) reserves the right to incorporate engineering and design changes to products in this Manual, without obligation to include these changes on units leased/sold previously.

The information contained in this Manual may be revised periodically E-Z-GO, and therefore is subject to change without notice.

E-Z-GO DISCLAIMS LIABILITY FOR ERRORS IN THIS MANUAL, and E-Z-GO SPECIFICALLY DISCLAIMS LIABILITY FOR INCIDENTAL AND CONSEQUENTIAL DAMAGES RESULTING FROM THE USE OF THE INFORMATION AND MATERIALS IN THIS MANUAL.

TO CONTACT US

NORTH AMERICA:

TECHNICAL ASSISTANCE & WARRANTY PHONE: 1-800-774-3946, FAX: 1-800-448-8124

SERVICE PARTS PHONE: 1-888-GET-EZGO (1-888-438-3946), FAX: 1-800-752-6175

INTERNATIONAL: PHONE: 001-706-798-4311, FAX: 001-706-771-4609

E-Z-GO DIVISION OF TEXTRON INC., 1451 MARVIN GRIFFIN RD., AUGUSTA, GEORGIA USA 30906-3852

GENERAL INFORMATION

This vehicle has been designed and manufactured in the United States of America (USA). The Standards and Specifications listed in the following text originate in the USA unless otherwise indicated.

The use of non-Original Equipment Manufacturer (OEM) approved parts may void the warranty.

Failure to properly maintain batteries may void the warranty. Refer to the battery manual for instructions on the proper maintenance and care of the batteries.

BATTERY PROLONGED STORAGE

Batteries self-discharge over time. The rate of self-discharge varies depending on the ambient temperature, the age and condition of the batteries.

Fully charged batteries will not freeze in winter temperatures unless the temperature falls below -75°F (- 60°C).

For winter storage, the batteries must be clean, fully charged and disconnected from any source of electrical drain.

The battery charger may be left connected to the vehicle to maintain a full charge on the batteries, provided the charger is plugged into an active electrical source. If power to the electrical source is disconnected or interrupted, the battery charger will continue to check the charge on the battery pack. This will draw power from the battery pack and eventually drain the batteries if power is not restored in a timely manner.

As with all electric vehicles, the batteries must be checked and recharged as required or at a minimum of 30 day intervals.

Check and maintain the proper fluid level in all battery cells during the storage period. Proper fluid level is required for maximum battery performance.

BATTERY DISPOSAL

Lead-acid batteries are recyclable. Return whole scrap batteries to distributor, manufacturer or lead smelter for recycling. For neutralized spills, place residue in acid-resistant containers with absorbent material, sand or earth and dispose of in accordance with local, state and federal regulations for acid and lead compounds. Contact local and/or state environmental officials regarding disposal information.

TABLE OF CONTENTS

SECTION	Page No.
HOW TO USE THE SERVICE PARTS MANUAL.....	V
ACCELERATOR.....	A - 1
BATTERY CHARGER.....	B - 1
BODY.....	C - 1
BRAKES.....	D - 1
ELECTRICAL SYSTEM.....	E - 1
ELECTRONIC SPEED CONTROL.....	F - 1
FRONT SUSPENSION AND STEERING.....	G - 1
MOTOR.....	H - 1
REAR AXLE.....	J - 1
REAR SUSPENSION.....	K - 1
SEATING.....	L - 1
WEATHER PROTECTION.....	M - 1
WHEELS AND TIRES.....	N - 1

HOW TO USE THE SERVICE PARTS MANUAL

This manual is divided into several sections:

- GENERAL INFORMATION
- ILLUSTRATED PARTS BREAKDOWN
- APPENDIX

The first section, GENERAL INFORMATION, contains the following information:

- WARRANTY INFORMATION
- GENERAL INDEX
- HOW TO USE THE SERVICE PARTS MANUAL

The second section, ILLUSTRATED PARTS BREAKDOWN, contains illustrations and parts lists for all systems of your vehicle.

The third section, APPENDIX, contains a listing of specialty products and accessories.

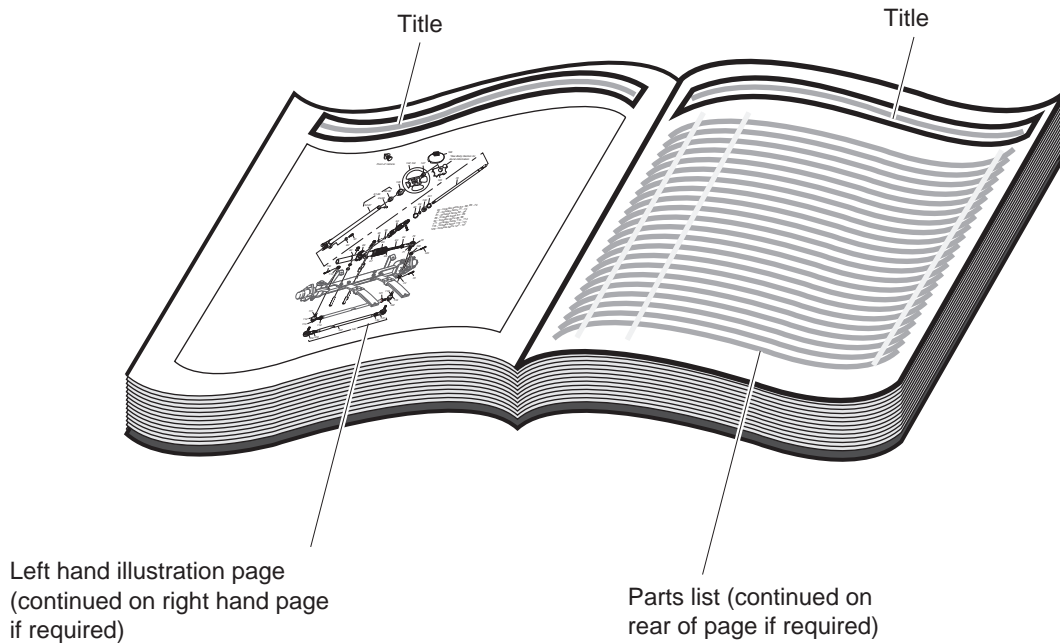
USE OF THE MANUAL

To use this manual, consult the GENERAL INDEX to locate the information or illustration required.

Introduction of some revisions varies due to supply of components; therefore, it is possible that various combinations of components may be found that are not directly reflected by each illustration. Consult the illustration that best suits your situation and then contact the Service Parts Department. It is important that the serial number of your vehicle and its model number be supplied to Service Parts when ordering any replacement components.

Locate the serial number plate (see BODY located in the Illustrated Parts Breakdown section of this manual for its location) and note the complete number shown on the plate.

HOW TO USE THE SERVICE PARTS MANUAL



1. WHEN THE PART NUMBER IS NOT KNOWN

- Determine the function and application of the part required. Turn to the General Index and select the most appropriate title.
- Turn to the page number indicated and locate the desired part on the illustration.
- From the illustration, obtain the item number assigned to the desired part. Refer to the accompanying description for specific information regarding the part.

2. IF YOU KNOW THE PART NUMBER

- Locate the part number or description in the appropriate column on the parts list page.

NOTE: It is suggested that you confirm that the part selected is correct by verifying it with the pictorial representation on the illustrated page.

Should an asterisk (*) appear in the part number column on the parts list page, read upwards until a part number is found. The part number is the lowest assembly sold by Service Parts and the asterisk (*) indicates that the part depicted is not available for purchase.

NOTE: Descriptions are indented under the assembly that they are used on. That assembly is, in turn listed under the assembly that it is used on. This process is repeated until the highest final assembly is reached.

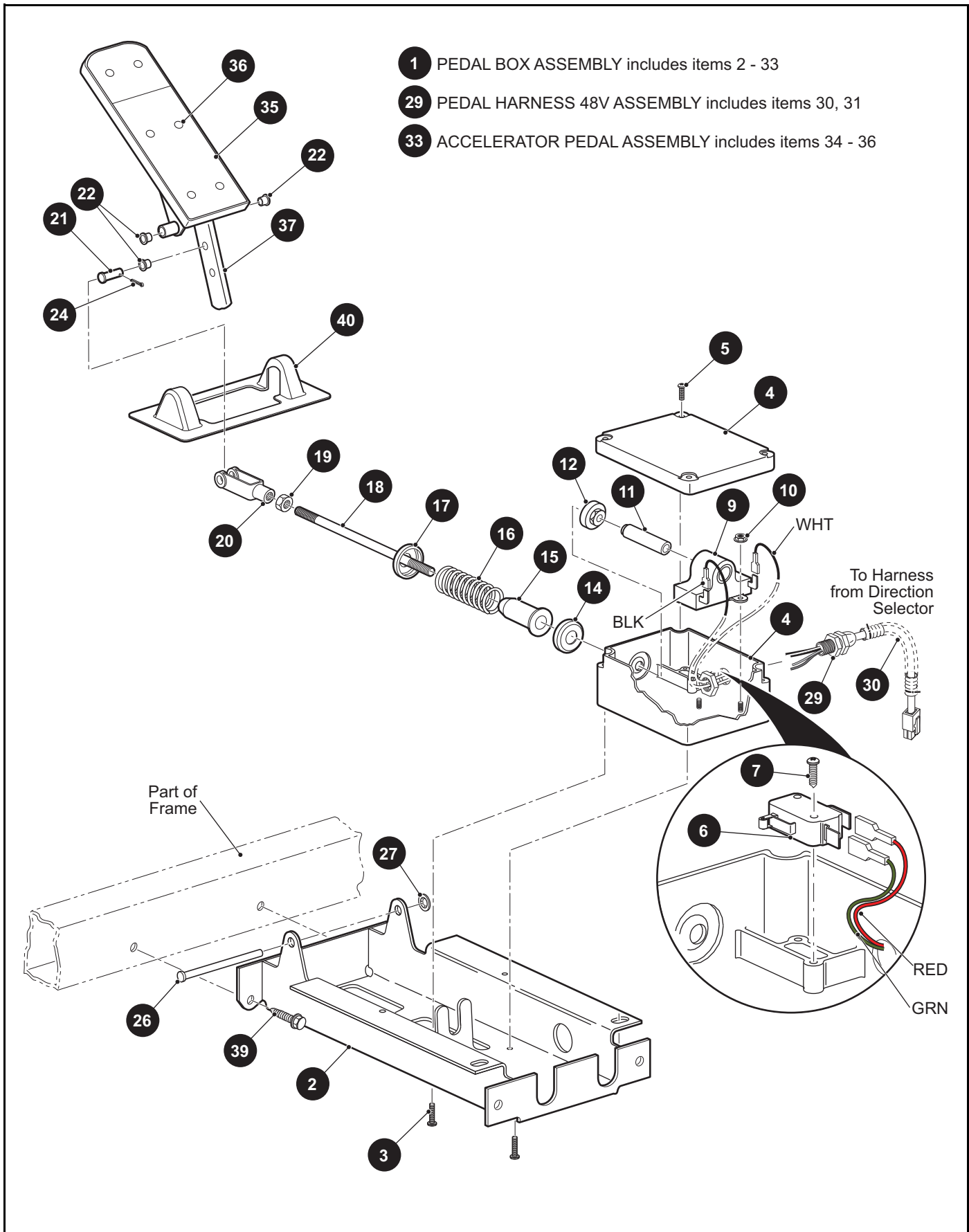
To facilitate the maintenance and repair of the vehicle, a Technician's Repair and Service Manual is available from the Service Parts Department.

3. COLOR CODE FOR BODY COMPONENTS

The last two digits of the part number for the body part will denote the color code, locate the part number for the cowl, rear body, seat pod, side panel or seat wrap then locate your color in the list below, replace the last ** or XX with the two digit color code.

<u>CODE #</u>	<u>DESCRIPTION</u>
11	BLACK
19	PATRIOT BLUE PEARL
20	INFERNO RED METALLIC
26	STEEL BLUE PEARL
31	METALLIC CHARCOAL
35	SAFETY YELLOW
36	IVORY
37	FOREST GREEN
38	BRIGHT WHITE
39	FLAME RED
41	ELECTRIC BLUE
42	PLATINUM
43	BURGUNDY
44	ALMOND
51	SUNBURST ORANGE
52	BRITISH RACING GREEN
79	JACOBSEN ORANGE 172

ACCELERATOR



ACCELERATOR

THE USE OF NON U.L. PARTS WILL VOID ANY U.L. LISTING.

When ordering parts, please specify the model and serial number of the product.

* Indicates a component that is not available as an individual part.

*** Indicates consult Customer Service Department for additional information.

ITEM	PART NO.	1 2 3 4 5	DESCRIPTION	QTY.
1	613163		PEDAL BOX ASSEMBLY (INCLUDES ITEMS 2 - 33)	1
2	652241G03		ACCELERATOR PEDAL BRACKET	1
3	01051G01		PAN HEAD PHILLIPS SCREW, #8 - 10 X 1/2" LG.....	4
4	25853G01		PEDAL BOX AND COVER	1
5	00684G6		TRUSS HEAD PHILLIPS SCREW (SS), #8 - 32 X 3/4" LG	2
6	25861G01		MICRO SWITCH	1
7	01050G01		PAN HEAD TORX SCREW, #4 - 20 X 5/8" LG	2
8				
9	25854G01		INDUCTIVE THROTTLE SENSOR	1
10	00983G01		SELF THREADING NUT, .187" DIA	2
11	602484		PLUNGER AND SLEEVE ASSEMBLY	1
12	28444G01		CAM, ACCELERATOR ROD	1
13				
14	17677G1		SPRING RETAINER.....	1
15	17979G1		ACCELERATOR ROD BUSHING.....	1
16	73046G01		COMPRESSION SPRING	1
17	17677G2		SPRING RETAINER, 3/8".....	1
18	73332G01		ACCELERATOR ROD	1
19	00532G4		HEX NUT, 1/4" - 20.....	1
20	10385G4		CLEVIS YOKE (ADJUSTABLE).....	1
21	10386G3		CLEVIS PIN, 5/16" X 13/16" LG	1
22	17838G1		NYLON BUSHING, .37" O.D X.31" I.D	3
23				
24	10387G3		COTTER PIN, 3/32" X 3/4" LG	1
25				
26	74432G01		PEDAL PIVOT PIN	1
27	12064G6		PUSH NUT, 5/16"	1
28				
29	620418		PEDAL HARNESS 48V (INCLUDES ITEMS 30, 31).....	1
30	17313G1		FLEX LOOM, 3/8" X 6" LG	1
31	17618G1		NYLON CLAMP (NOT ILLUSTRATED)	2

ACCELERATOR

THE USE OF NON U.L. PARTS WILL VOID ANY U.L. LISTING.

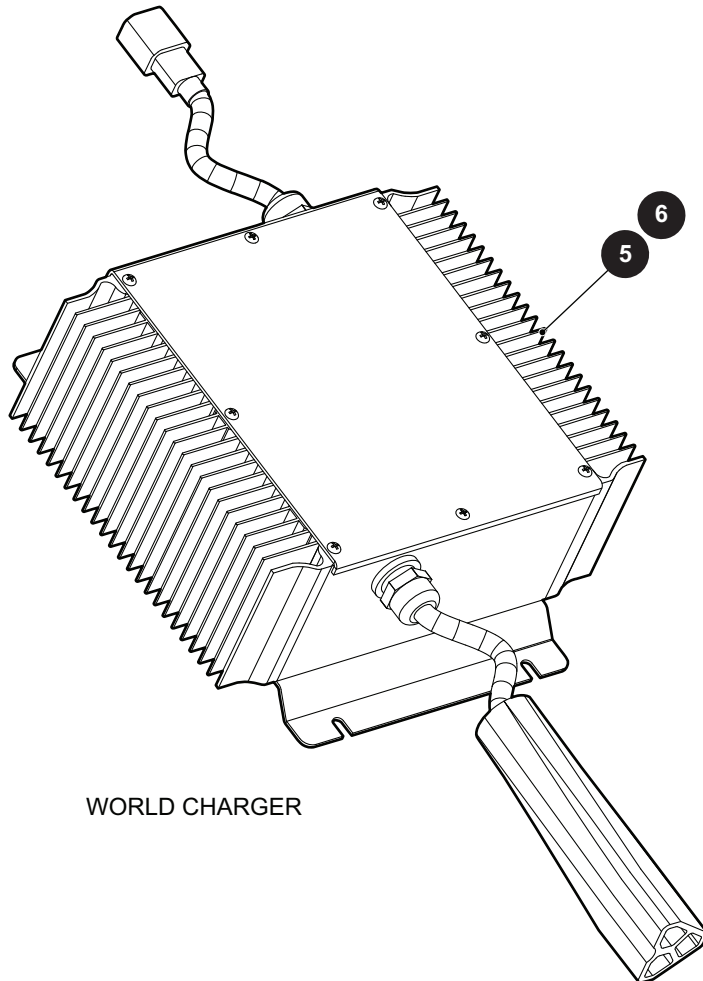
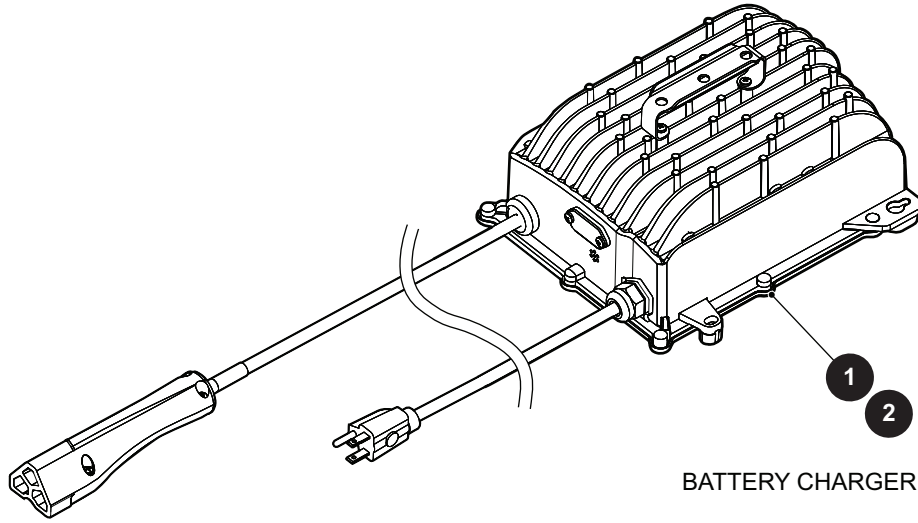
When ordering parts, please specify the model and serial number of the product.

* Indicates a component that is not available as an individual part.

*** Indicates consult Customer Service Department for additional information.

ITEM	PART NO.	1	2	3	4	5	DESCRIPTION	QTY.
32								
33	25799G03						ACCELERATOR PEDAL ASSEMBLY (INCLUDES ITEMS 34 - 36)	1
34	652824						ACCELERATOR PEDAL	1
35	27512G01						ACCELERATOR PEDAL PAD	1
36	16409G1						OVAL RIVET, 3/8"X 15/32"	6
37								
38								
39	00715G2						HEX WASHER HEAD BOLT, 5/16" - 18 X 3/4" LG	4
40	70135G01						PEDAL PIVOT COVER	1

BATTERY CHARGER



BATTERY CHARGER

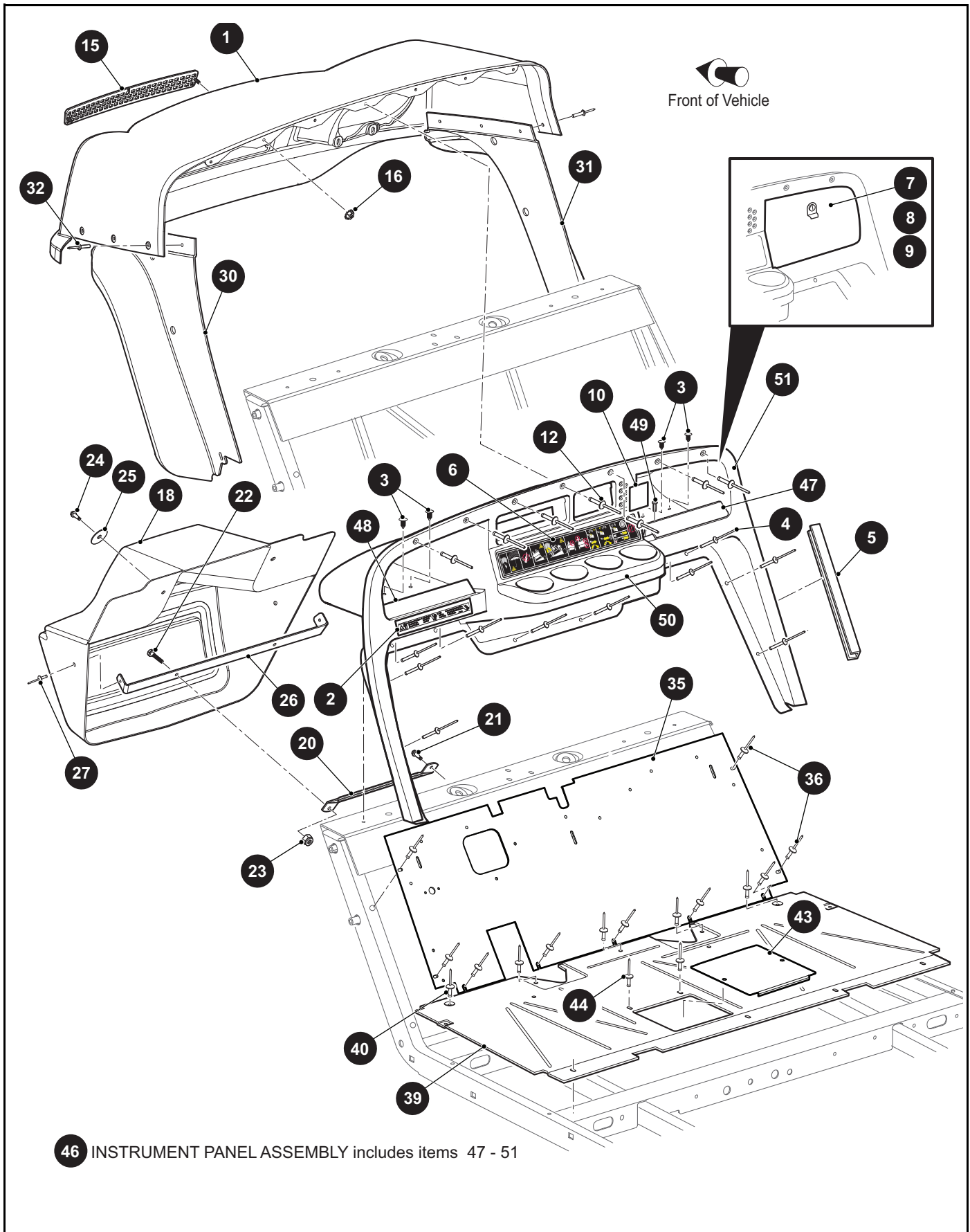
THE USE OF NON U.L. PARTS WILL VOID ANY U.L. LISTING.

When ordering parts, please specify the model and serial number of the product.

* Indicates a component that is not available as an individual part.

*** Indicates consult Customer Service Department for additional information.

ITEM	PART NO.	1 2 3 4 5	DESCRIPTION	QTY.
1	635669		BATTERY CHARGER, 48V, 3 METER DC CORD	1
2	635670		BATTERY CHARGER, 48V, 5.5 METER DC CORD	1
3	605834		NYLON CLAMP, 36" (NOT ILLUSTRATED)	1
4				
5	622419		WORLD CHARGER, 48V, 3 METER DC CORD	1
6	622667		WORLD CHARGER, 48V, 5.5 METER DC CORD	1
7	605834		NYLON CLAMP, 36" (NOT ILLUSTRATED)	2



THE USE OF NON U.L. PARTS WILL VOID ANY U.L. LISTING.

When ordering parts, please specify the model and serial number of the product.

* Indicates a component that is not available as an individual part.

*** Indicates consult Customer Service Department for additional information.

ITEM	PART NO.	1 2 3 4 5	DESCRIPTION	QTY.
1	613036G0XX		COWL (See COLOR CODES IN HOW TO USE Section)	1
2	74443G01		ANTI-ROLLBACK DECAL.....	1
3	16816G2		RATCHET FASTENER, 1/4" X .887" LG.....	4
4	71055G01		RIVET (ALUMINUM), 3/16" X .985" LG	10
5	71115G01		TRIM (VINYL).....	1
6	601781		SAFETY LABEL	1
7	75459G01		GLOVE BOX DOORS (BOTH SIDES).....	1
8	75459G02		GLOVE BOX DOOR (DRIVER SIDE)	1
9	75459G03		GLOVE BOX DOOR (PASSENGER SIDE)	1
10	35968G01		T - HOLDER COVER DECAL	1
11				
12	71055G01		RIVET (ALUMINUM), 3/16" X .985" LG	7
13				
14				
15	617643		COWL GRILL COVER	1
16	71597G01		SELF THREADING NUT, 5MM X 10MM X 15MM	2
17				
18	613273		FRONT FASCIA.....	1
19				
20	70725G02		FRONT SHIELD BRACE	1
21	01038G01		HEX WASHER HEAD SWAGEFORM SCREW, 1/4" - 20 X .70" LG.....	1
22	00414G6		HEX HEAD BOLT, 1/4" - 20 X 1/2" LG	1
23	14390G4		LOCK NUT, 1/4" - 20.....	1
24	01038G01		HEX WASHER HEAD SWAGEFORM SCREW, 1/4" - 20 X .70" LG.....	2
25	16469G1		FENDER WASHER, 1/4"	2
26	618653		FASCIA BRACKET.....	1
27	15058G1		RIVET (ALUMINUM), 3/16" X .450" LG	2
28				
29				
30	614378		FENDER FLARE (DRIVER SIDE)	1

BODY

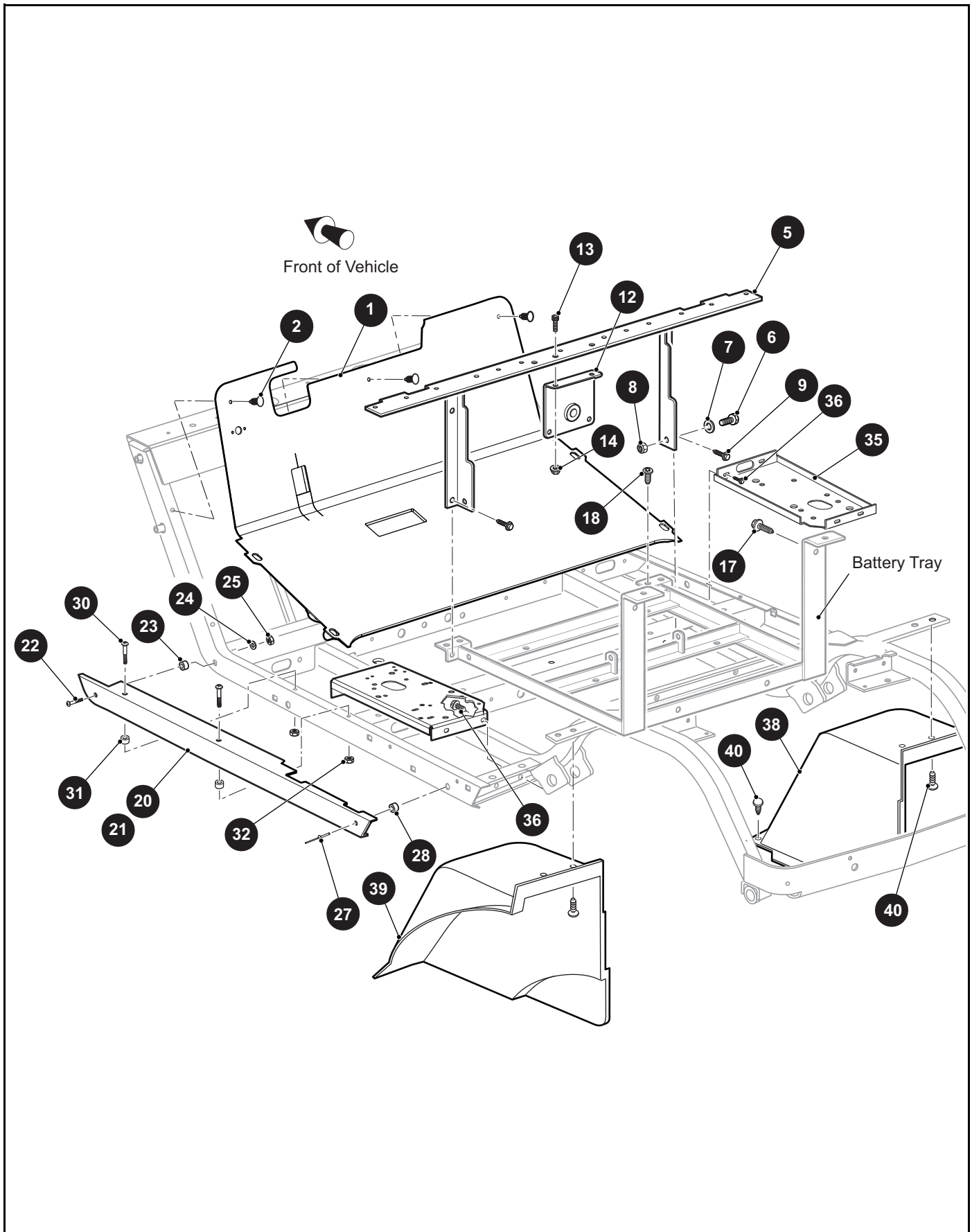
THE USE OF NON U.L. PARTS WILL VOID ANY U.L. LISTING.

When ordering parts, please specify the model and serial number of the product.

* Indicates a component that is not available as an individual part.

*** Indicates consult Customer Service Department for additional information.

ITEM	PART NO.	1 2 3 4 5	DESCRIPTION	QTY.
31	613274		FENDER FLARE (PASSENGER SIDE)	1
32	71055G01		RIVET (ALUMINUM), 3/16" X 1.118" LG	3
33				
34				
35	641260		UPPER FLOOR PANEL	1
36	14601G11		RIVET (ALUMINUM), 3/16" X .575" LG.....	9
37				
38				
39	70451G01		LOWER FLOOR PANEL.....	1
40	14601G11		RIVET (ALUMINUM), 3/16" X .575" LG.....	5
41				
42				
43	70452G01		ACCESS COVER	1
44	14601G11		RIVET (ALUMINUM), 3/16" X .575" LG.....	2
45				
46	71151G03		INSTRUMENT PANEL ASSEMBLY (INCLUDES ITEMS 47 - 51)	1
47	71153G01		DEFLECTOR (PASSENGER SIDE)	1
48	71154G01		DEFLECTOR (DRIVER SIDE).....	1
49	00614G3		PAN HEAD PHILLIPS SCREW, #8 - 15 X 3/8" LG	4
50	71158G01		INSTRUMENT PANEL INSERT (FOUR CUP).....	1
51	71152G01		INSTRUMENT PANEL	1



THE USE OF NON U.L. PARTS WILL VOID ANY U.L. LISTING.

When ordering parts, please specify the model and serial number of the product.

* Indicates a component that is not available as an individual part.

*** Indicates consult Customer Service Department for additional information.

ITEM	PART NO.	1 2 3 4 5	DESCRIPTION	QTY.
1	637535G02		FLOOR MAT WITH HORN HOLES	1
2	16816G1		RATCHET RIVET, .25" X .72"	3
3				
4				
5	70441G01		SEAT FRAME	1
6	00438G6		HEX HEAD BOLT, 5/16" - 18 X .625 LG	2
7	00559G8		FLAT WASHER, 5/16"	2
8	11098G6		LOCK NUT , 5/16" - 18	2
9	00715G2		HEX WASHER HEAD SCREW, 5/16" - 18 X .8" LG	2
10				
11				
12	70444G02		SHIFT BRACKET WELDMENT	1
13	70227G01		SOCKET HEAD CAP SCREW, 1/4" - 20 X .875" LG	2
14	11027G2		FLANGED LOCK NUT, 1/4" - 20	2
15				
16				
17	00715G2		HEX WASHER HEAD SCREW, 5/16" - 18 X .8" LG	2
18	70200G01		TRUSS HEAD MACHINE SCREW (SS), 3/8" - 16 X .75 LG	2
19				
20	618356		ROCKER PANEL (DRIVER SIDE)	1
21	618357		ROCKER PANEL (PASSENGER SIDE)	1
22	00789G2		TRUSS HEAD PHILLIPS SCREW, #10 - 24 X 1.25" LG	1
23	23726G4		SPACER, .298" LG	1
24	00660G5		FLAT WASHER, #10	1
25	14390G10		LOCK NUT, #10 - 24	1
26				
27	15058G6		RIVET (ALUMINUM), 3/16" X .937" LG	1
28	23726G4		SPACER, .298" LG	1
29				
30	16705G1		TRUSS HEAD PHILLIPS SCREW (SS), 1/4" - 20 X 1" LG	2

BODY

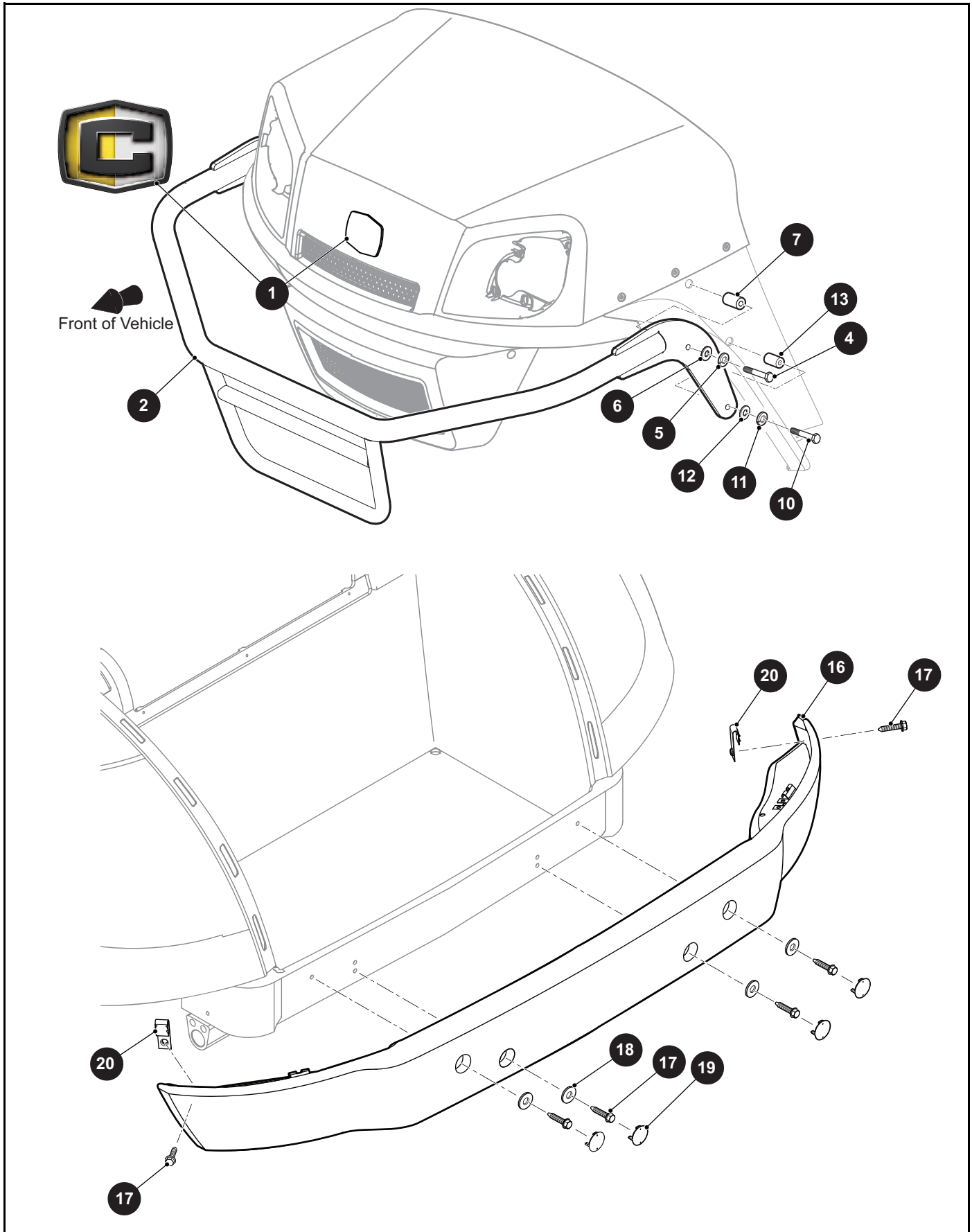
THE USE OF NON U.L. PARTS WILL VOID ANY U.L. LISTING.

When ordering parts, please specify the model and serial number of the product.

* Indicates a component that is not available as an individual part.

*** Indicates consult Customer Service Department for additional information.

ITEM	PART NO.	1 2 3 4 5	DESCRIPTION	QTY.
31	23726G4		SPACER, .298" LG	2
32	14390G4		LOCK NUT, 1/4" - 20	2
33				
34				
35	70244G05		SPLASH PANEL	1
36	00715G2		HEX WASHER HEAD SCREW, 5/16" - 18 X .8" LG	4
37				
38	635054G02		FENDER LINER (PASSENGER SIDE)	1
39	635054G01		FENDER LINER (DRIVER SIDE).....	1
40	16816G2		RATCHET FASTENER, 1/4" X .887" LG	4



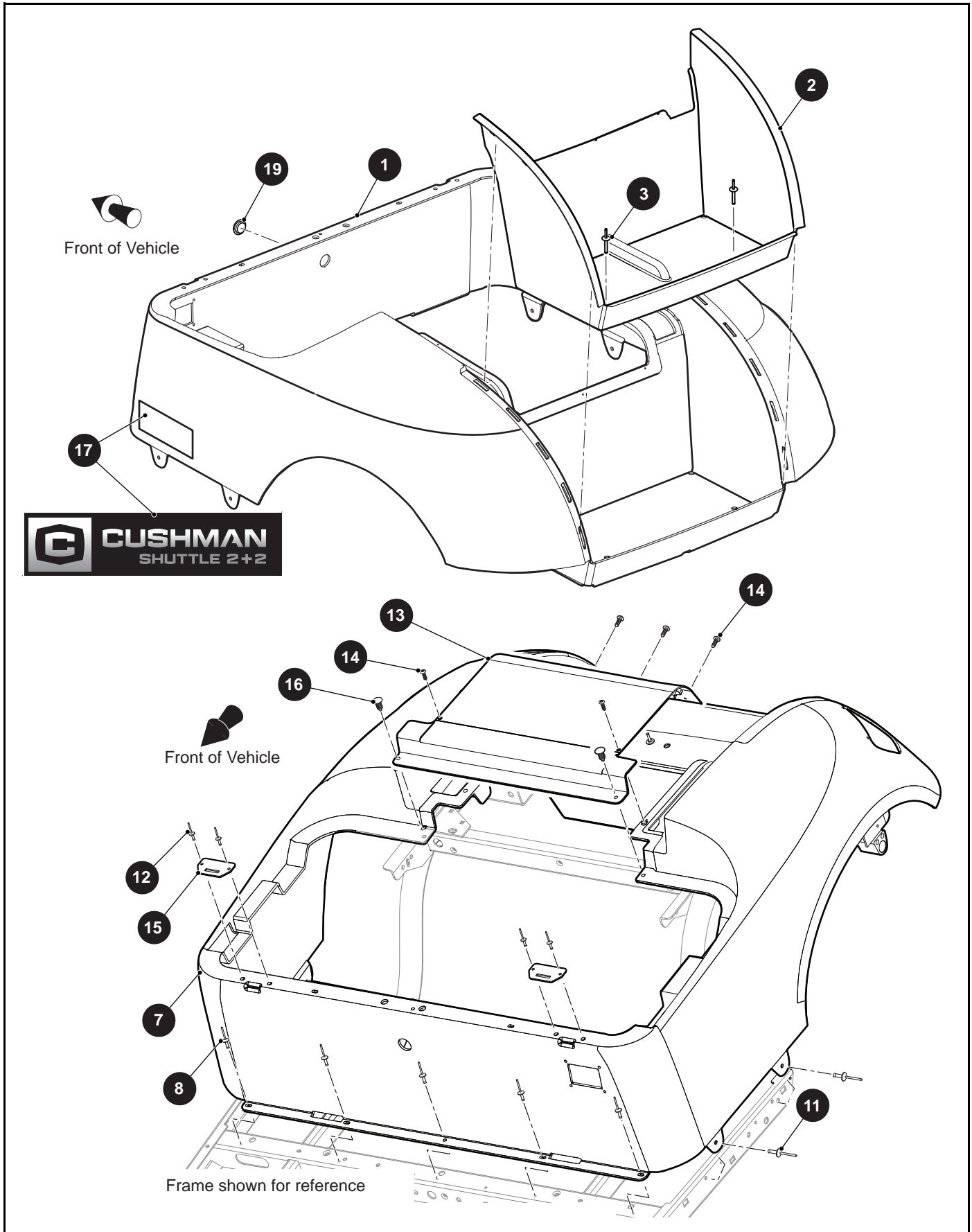
THE USE OF NON U.L. PARTS WILL VOID ANY U.L. LISTING.

When ordering parts, please specify the model and serial number of the product.

* Indicates a component that is not available as an individual part.

*** Indicates consult Customer Service Department for additional information.

ITEM	PART NO.	1 2 3 4 5	DESCRIPTION	QTY.
1	619135		COWL DECAL.....	1
2	617620		BRUSHGUARD	1
3				
4	00440G6		HEX HEAD CAP SCREW, 5/16" - 18 X 2.25" LG	2
5	00565G8		LOCK WASHER, 5/16"	2
6	00559G8		FLAT WASHER, 5/16"	2
7	75048G02		SPACER, 1.31"	2
8				
9				
10	00440G2		HEX HEAD CAP SCREW, 5/16" - 18 X 2.25" LG	2
11	00565G8		LOCK WASHER, 5/16"	2
12	00559G8		FLAT WASHER, 5/16"	2
13	75048G04		SPACER, 1"	2
14				
15				
16	71451G02		REAR BUMPER.....	1
17	71102G01		HEX HEAD BOLT, 1/4" - 20 X 3/4" LG	6
18	00571G2		FLAT WASHER, 5/16"	4
19	71455G01		BUMPER PLUG	4
20	71554G01		"J" - TYPE NUT RETAINER, 1/4" - 20.....	2



THE USE OF NON U.L. PARTS WILL VOID ANY U.L. LISTING.

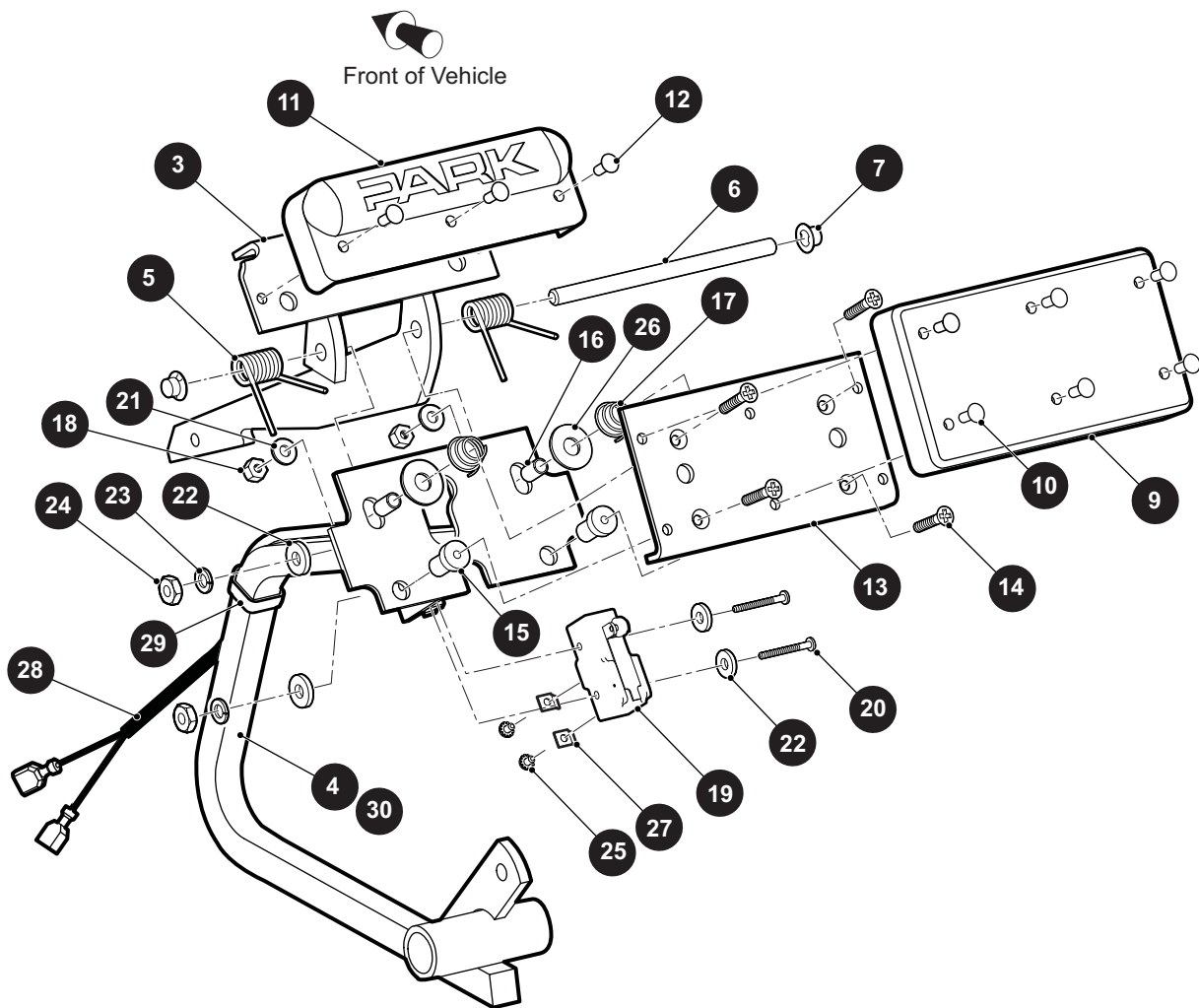
When ordering parts, please specify the model and serial number of the product.

* Indicates a component that is not available as an individual part.

*** Indicates consult Customer Service Department for additional information.

ITEM	PART NO.	1 2 3 4 5	DESCRIPTION	QTY.
1	619752G0XX		REAR BODY (WITHOUT TAILLIGHTS).....	1
2	624374		BAG-WELL LINER	1
3	633917		RIVET (PLASTIC)	2
4				
5				
6				
7	625272G0XX		REAR BODY (WITH TAILLIGHTS)	1
8	10570G10		RIVET (SS), 5/32" X .55" LG	5
9				
10				
11	10570G12		RIVET (ALUMINUM), .257" X .556" LG	4
12	10570G11		RIVET (SS), 5/32" X .70" LG	2
13	71320G01		ACCESS PANEL	1
14	01107G01		PAN HEAD TORX SCREW (SS), #8 X .63" LG	5
15	71609G01		SEAT HINGE PLATE.....	1
16	16816G2		RATCHET RIVET, .25" X .887"	2
17	642581		CUSHMAN LOGO DECAL	1
18				
19	71316G01		PLUG	1

- 1 BRAKE PEDAL ASSEMBLY (WITHOUT BRAKE LIGHTS) includes items 3 - 11
- 2 BRAKE PEDAL ASSEMBLY (WITH BRAKE LIGHTS) includes items 3, 5 - 30



BRAKES

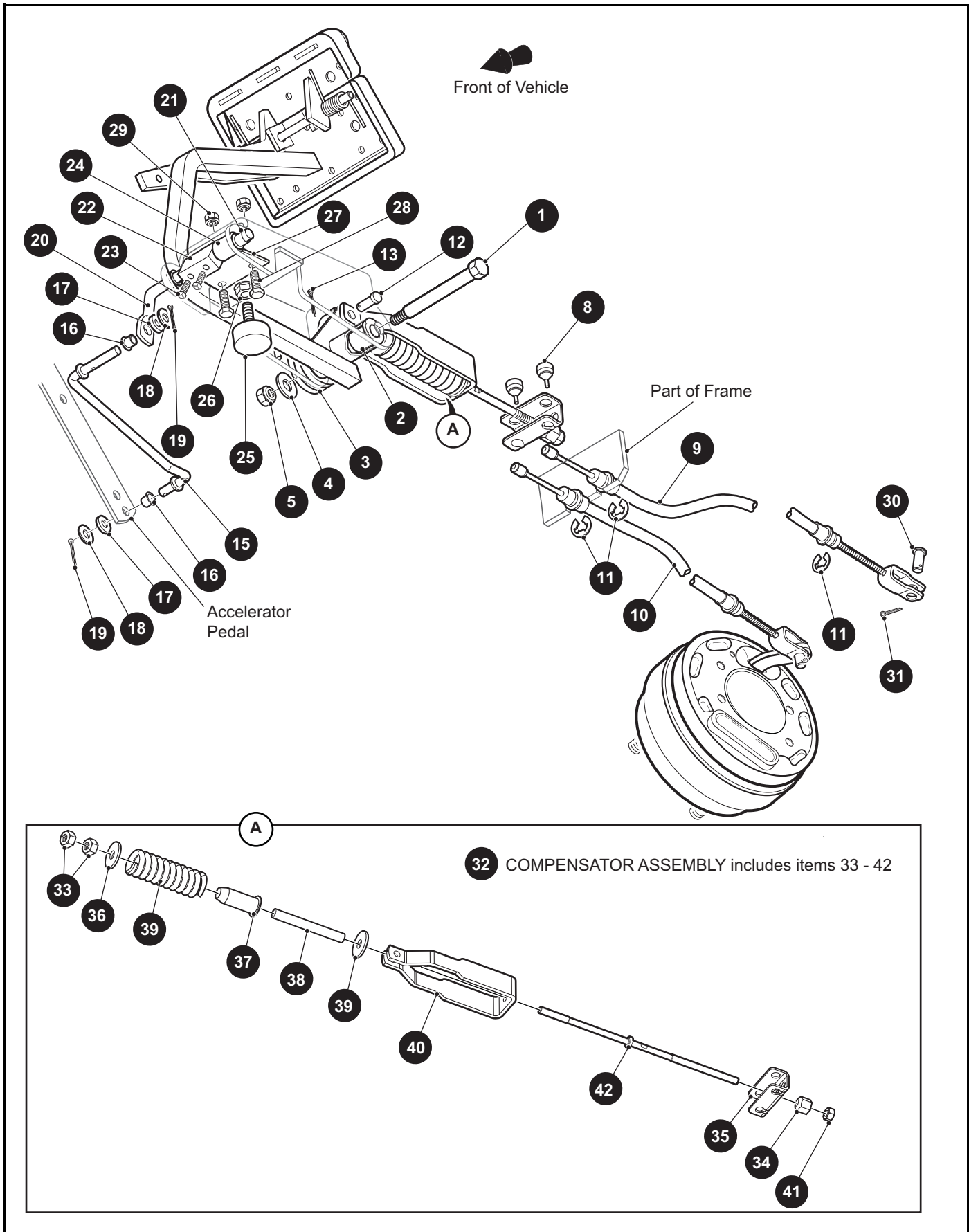
THE USE OF NON U.L. PARTS WILL VOID ANY U.L. LISTING.

When ordering parts, please specify the model and serial number of the product.

* Indicates a component that is not available as an individual part.

*** Indicates consult Customer Service Department for additional information.

ITEM	PART NO.	1 2 3 4 5	DESCRIPTION	QTY.
1	70612G02		BRAKE PEDAL ASSEMBLY (WITHOUT LIGHTS) (INCLUDES ITEMS 3 - 12)	1
2	70690G02		BRAKE PEDAL ASSEMBLY (WITH LIGHTS) (INCLUDES ITEMS 3, 5 - 30)..	1
3	652253G03		PARK BRAKE PEDAL	1
4	652251G03		BRAKE PEDAL (WITHOUT LIGHTS).....	1
5	70681G01		TORSION SPRING.....	2
6	70682G01		PIVOT PIN.....	1
7	658825		PUSH NUT, 5/16" - 24	2
8				
9	70257G01		SERVICE BRAKE PAD.....	1
10	16409G1		OVAL RIVET, .375" X .468" LG	6
11	70256G01		PARK BRAKE PEDAL PAD	1
12	16409G1		OVAL RIVET, .375" X .468" LG	3
13	652820		SERVICE BRAKE PEDAL PLATE	1
14	00737G8		FLAT HEAD PHILLIPS SCREW, #10 - 24 X .875" LG.....	4
15	00739G1		RUBBER WELL NUT, #10 - 24.....	2
16	652355		BRAKE PEDAL SPACER	2
17	27137G01		CONICAL SPRING	2
18	14390G10		LOCK NUT, #10 - 24.....	2
19	10606G8		MICRO SWITCH	1
20	00645G2		PAN HEAD PHILLIPS SCREW, #6 - 32 X 1.25" LG	1
21	00559G5		FLAT WASHER, #10	2
22	00559G3		FLAT WASHER, #6	2
23	00565G3		LOCK WASHER, #6	1
24	00525G5		LOCK NUT, #6 - 32.....	1
25	13514G1		PAN HEAD PHILLIPS SCREW WITH INTERNAL TOOTH LOCK WASHER, #6 - 32 X .22" LG	1
26	00642G8		FLAT WASHER, 5/16"	2
27	14628G1		FASTON TAB.....	1
28	24605G1		WIRE HARNESS (BRAKE LIGHT).....	1
29	17618G1		WIRE TIE.....	2
30	652791G03		BRAKE PEDAL (WITH LIGHTS)	1



THE USE OF NON U.L. PARTS WILL VOID ANY U.L. LISTING.

When ordering parts, please specify the model and serial number of the product.

* Indicates a component that is not available as an individual part.

*** Indicates consult Customer Service Department for additional information.

ITEM	PART NO.	1 2 3 4 5	DESCRIPTION	QTY.
1	70582G01		SHOULDER BOLT (SS), 3/8" - 16 X 3.406" LG	1
2	70581G01		FLANGED BUSHING, .1.062" O.D. X .795" I.D.....	2
3	70676G01		TORSION SPRING	1
4	00643G1		LOCK WASHER, 3/8"	1
5	11098G5		LOCK NUT, 3/8" - 16.....	1
6	01038G01		HEX WASHER HEAD SCREW, 1/4" - 20 X .7" LG (NOT ILLUSTRATED).....	1
7	12416G2		NYLON WEDGE LOCK CLAMP (NOT ILLUSTRATED).....	3
8	28083G01		BRAKE COMPENSATOR BUMPER.....	2
9	624690		BRAKE CABLE (DRIVER SIDE).....	1
10	624691		BRAKE CABLE (PASSENGER SIDE)	1
11	01111G01		RETAINING RING (SS), DIA .8".....	4
12	10386G3		CLEVIS PIN, .438" X .938" LG.....	1
13	10387G3		COTTER PIN, .094" X .75" LG.....	1
14				
15	70601G01		KICK-OFF LINK	1
16	17838G1		NYLON BUSHING, .37" O.D. X .31" I.D.	2
17	20835G1		TEFLON WASHER, 3/8"	2
18	00559G8		FLAT WASHER, 5/16".....	2
19	10387G3		COTTER PIN, .094" X .75" LG.....	2
20	70098G01		KICK-OFF CAM PIVOT.....	1
21	10097G6		FLANGED BEARING	2
22	70587G01		KICK-OFF CAM	1
23	71215G01		SET SCREW WITH PATCH LOCK, 1/4" - 20 X .5" LG	2
24	14134G4		SPACER, .76" O.D. X .395" I.D. X 1.25" LG	1
25	70113G01		ADJUSTABLE BUMPER.....	1
26	11027G1		LOCK NUT, 5/16 - 18".....	1
27	70080G02		CATCH BRACKET	1
28	00414G6		HEX HEAD CAP SCREW, 1/4" - 20 X .25" LG	2
29	14390G4		LOCK NUT (SS), 1/4" - 20	2
30	10386G3		CLEVIS PIN, .438" X .938" LG.....	1
31	10387G3		COTTER PIN, .094" X .75" LG.....	1

BRAKES

THE USE OF NON U.L. PARTS WILL VOID ANY U.L. LISTING.

When ordering parts, please specify the model and serial number of the product.

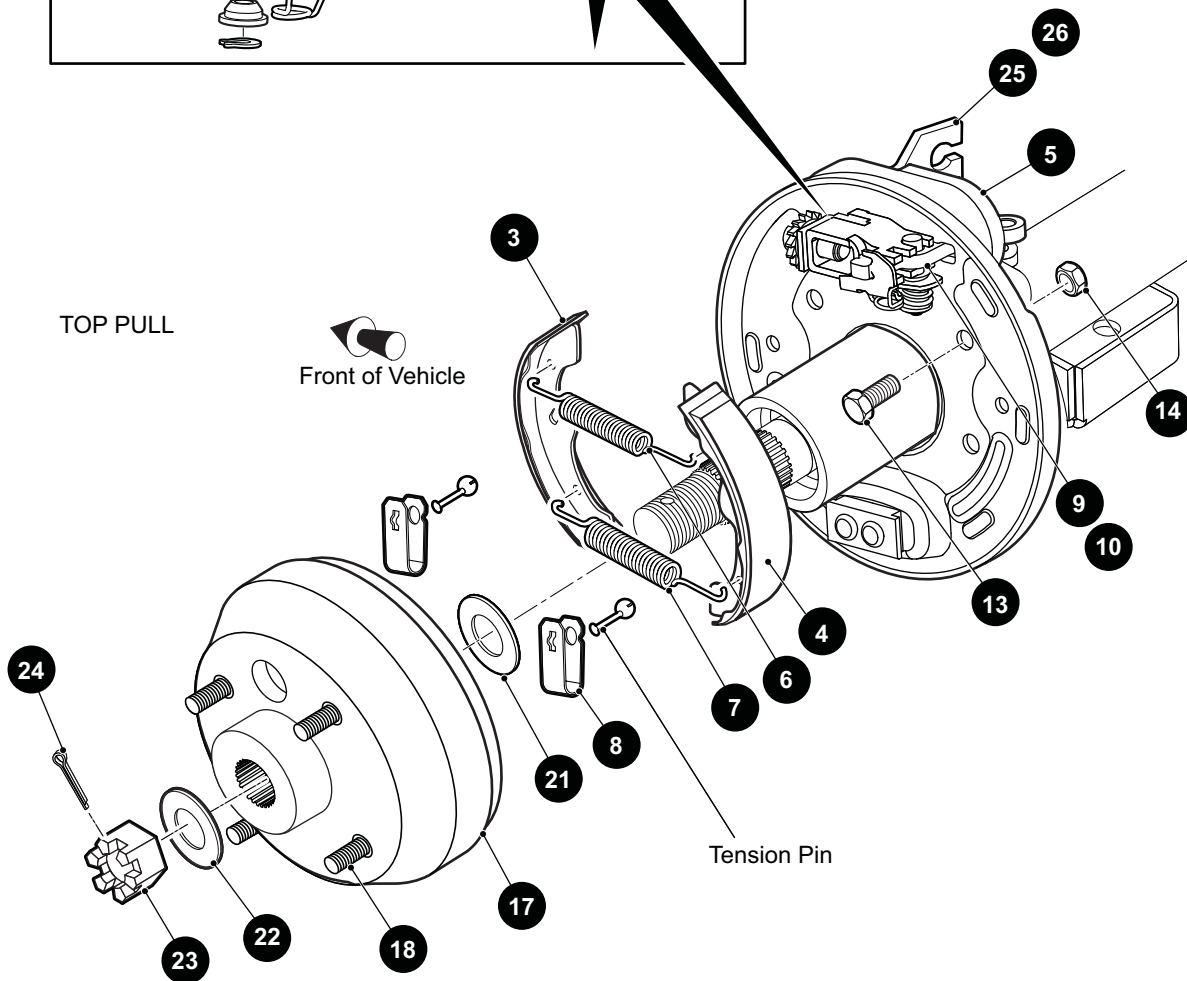
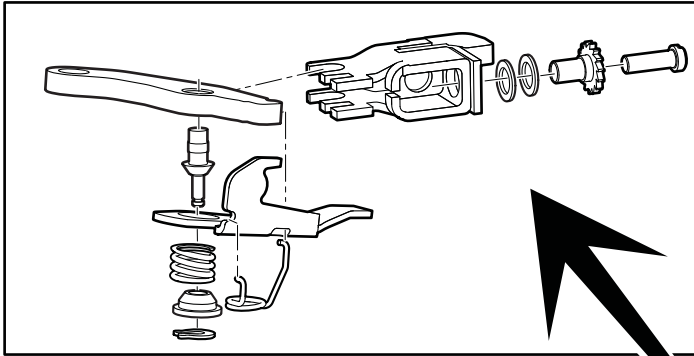
* Indicates a component that is not available as an individual part.

*** Indicates consult Customer Service Department for additional information.

ITEM	PART NO.	1	2	3	4	5	DESCRIPTION	QTY.
32	612558						COMPENSATOR ASSEMBLY (INCLUDES ITEMS 33 - 42)	1
33	00532G4						HEX NUT, 1/4" - 20	2
34	629486						SPHERICAL HEX NUT, 5/16" - 24	1
35	28082G01						EQUALIZER BRACKET	1
36	15121G1						FLAT WASHER, 5/16"	2
37	17979G1						ACCELERATOR ROD BUSHING, .464" I.D. X 1" O.D. X 2" LG.....	1
38	23061G2						TUBE.....	1
39	23463G1						COMPRESSION SPRING	1
40	652256						BRAKE YOKE	1
41	11098G9						HEX LOCK NUT, 5/16" - 24	1
42	612557						COMPENSATOR LINK ROD	1
43	17618G1						NYLON CLAMP, 8" LG (NOT ILLUSTRATED)	1

BRAKES

- 1 BRAKE ASSEMBLY (DRIVER SIDE) includes items 3 - 9
- 2 BRAKE ASSEMBLY (PASSENGER SIDE) includes items 3 - 8, 10
- 16 BRAKE DRUM ASSEMBLY includes items 17, 18



BRAKES

THE USE OF NON U.L. PARTS WILL VOID ANY U.L. LISTING.

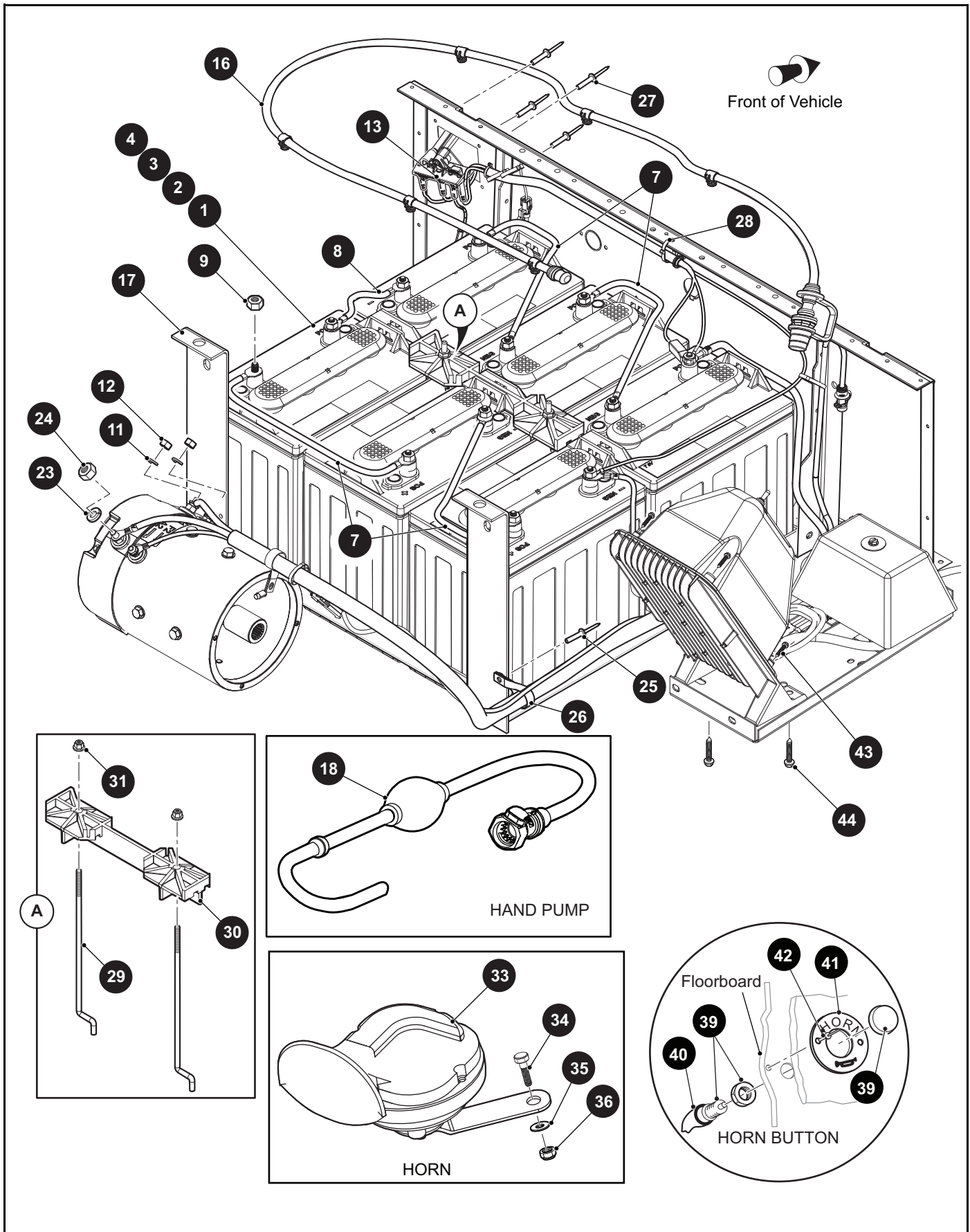
When ordering parts, please specify the model and serial number of the product.

* Indicates a component that is not available as an individual part.

*** Indicates consult Customer Service Department for additional information.

ITEM	PART NO.	1 2 3 4 5	DESCRIPTION	QTY.
1	612189		BRAKE ASSEMBLY (DRIVER SIDE) (INCLUDES ITEMS 3 - 9)	1
2	612211		BRAKE ASSEMBLY (PASSENGER SIDE) (INCLUDES ITEMS 3 - 8, 10)	1
3	612411		BRAKE SHOE, LEADING	1
4	612412		BRAKE SHOE, TRAILING	1
5	612413		DUST COVER	1
6	612415		BRAKE SPRING, TOP	1
7	612414		BRAKE SPRING, BOTTOM	1
8	612416		SHOE CLAMP	2
9	612418		GEAR ADJUSTER (DRIVER SIDE)	1
10	612417		GEAR ADJUSTER (PASSENGER SIDE)	1
11				
12				
13	17083G2		HEX HEAD BOLT, 5/16" - 24 X 1" LG	4
14	15126G1		LOCK NUT, 5/16" - 24	4
15				
16	19186G1		BRAKE DRUM ASSEMBLY (INCLUDES ITEMS 17, 18)	1
17	18500G2		BRAKE DRUM	1
18	19862G1		LUG BOLT, 1/2" - 20 X 1.218" LG	4
19				
20				
21	15485G1		FLAT WASHER (INNER WHEEL RIM), 1.31" O.D. X .85" I.D.	1
22	15487G1		FLAT WASHER (BRAKE DRUM), 1.5" O.D. X .76" I.D.	1
23	612928		SLOTTED HEX NUT, 3/4" - 16	1
24	10387G1		COTTER PIN, 5/32" X 1 3/4" LG	1
25	652248		BRAKE CABLE BRACKET (PASSENGER SIDE)	1
26	652249		BRAKE CABLE BRACKET (DRIVER SIDE)	1

ELECTRICAL SYSTEM



ELECTRICAL SYSTEM

THE USE OF NON U.L. PARTS WILL VOID ANY U.L. LISTING.

When ordering parts, please specify the model and serial number of the product.

* Indicates a component that is not available as an individual part.

*** Indicates consult Customer Service Department for additional information.

ITEM	PART NO.	1 2 3 4 5	DESCRIPTION	QTY.
1	618594		BATTERY (8V)	6
2	614015		BATTERY (8V)	6
3	618595		BATTERY (8V) (FOR USE WITH HYDROLINK WATERING SYSTEM).....	6
4	614381		BATTERY (8V) (FOR USE WITH HYDROLINK WATERING SYSTEM).....	6
5	615352		CLAMP (POLYPROPYLENE) (NOT ILLUSTRATED)	1
6				
7	613236		6 AWG WIRE (BLUE), 15" LG.....	4
8	613237		6 AWG WIRE (BLUE), 5.90" LG.....	1
9	00702G2		HEX NUT, 5/16" - 18	12
10				
11	00993G02		LOCK WASHER (SILICON BRONZE), 1/4"	2
12	28418G02		HEX NUT (BRASS), 1/4" - 20	2
13	633149		CHARGER RECEPTACLE, 48V	1
14				
15				
16	614457		SNAKE HYDROLINK.....	1
17	652254G03		BATTERY RACK WELDMENT	1
18	676122		TROJAN HAND PUMP KIT.....	1
19				
20	31539G1		CLAMP (NYLON), 5.5" LG (NOT ILLUSTRATED).....	1
21				
22				
23	00993G01		LOCK WASHER (SILICON BRONZE), 5/16"	2
24	28418G01		HEX NUT (BRASS), 5/16" - 18	2
25	10570G11		RIVET, 3/16" X .70" LG	1
26	27327G02		TWISTED CLIP CLAMP.....	1
27	71055G01		RIVET (ALUMINUM), 3/16" X .985" LG	4
28	17618G1		CLAMP (NYLON), 7" LG	AR
29	01101G01		TIE DOWN BOLT	2
30	612867		BATTERY RETAINER.....	1
31	11027G1		FLANGED LOCK NUT, 5/16" - 18.....	2

ELECTRICAL SYSTEM

THE USE OF NON U.L. PARTS WILL VOID ANY U.L. LISTING.

When ordering parts, please specify the model and serial number of the product.

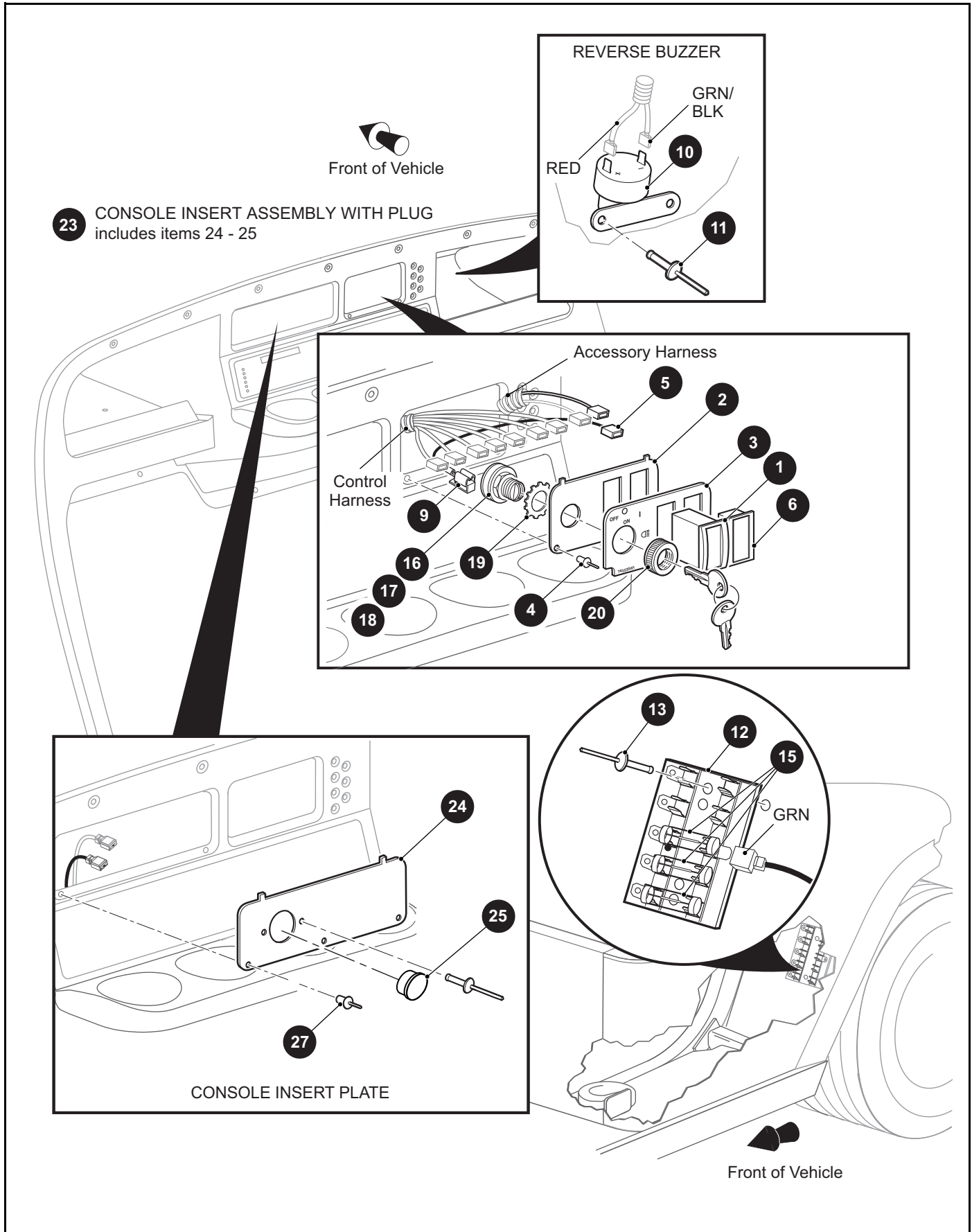
* Indicates a component that is not available as an individual part.

*** Indicates consult Customer Service Department for additional information.

ITEM	PART NO.	1	2	3	4	5	DESCRIPTION	QTY.
32								
33	32860G1						HORN	1
34	00414G5						HEX HEAD BOLT, 1/4" - 20 X .5" LG.....	1
35	00559G7						FLAT WASHER, 1/4"	1
36	14390G4						LOCK NUT, 1/4" - 20	1
37								
38								
39	17318G1						HORN SWITCH.....	1
40	27068G01						HORN SWITCH BOOT.....	1
41	608397						HORN SWITCH PLATE.....	1
42	71055G01						RIVET (ALUMINUM), 3/16" X 1" LG.....	2
43	71102G03						HEX WASHER HEAD CAP SCREW, 1/4" - 20 X 1.15" LG	4
44	71102G01						HEX WASHER HEAD CAP SCREW, 1/4" - 20 X .75" LG	4

Notes:

A large grid of graph paper for taking notes, consisting of 20 columns and 30 rows of small squares.



ELECTRICAL SYSTEM

THE USE OF NON U.L. PARTS WILL VOID ANY U.L. LISTING.

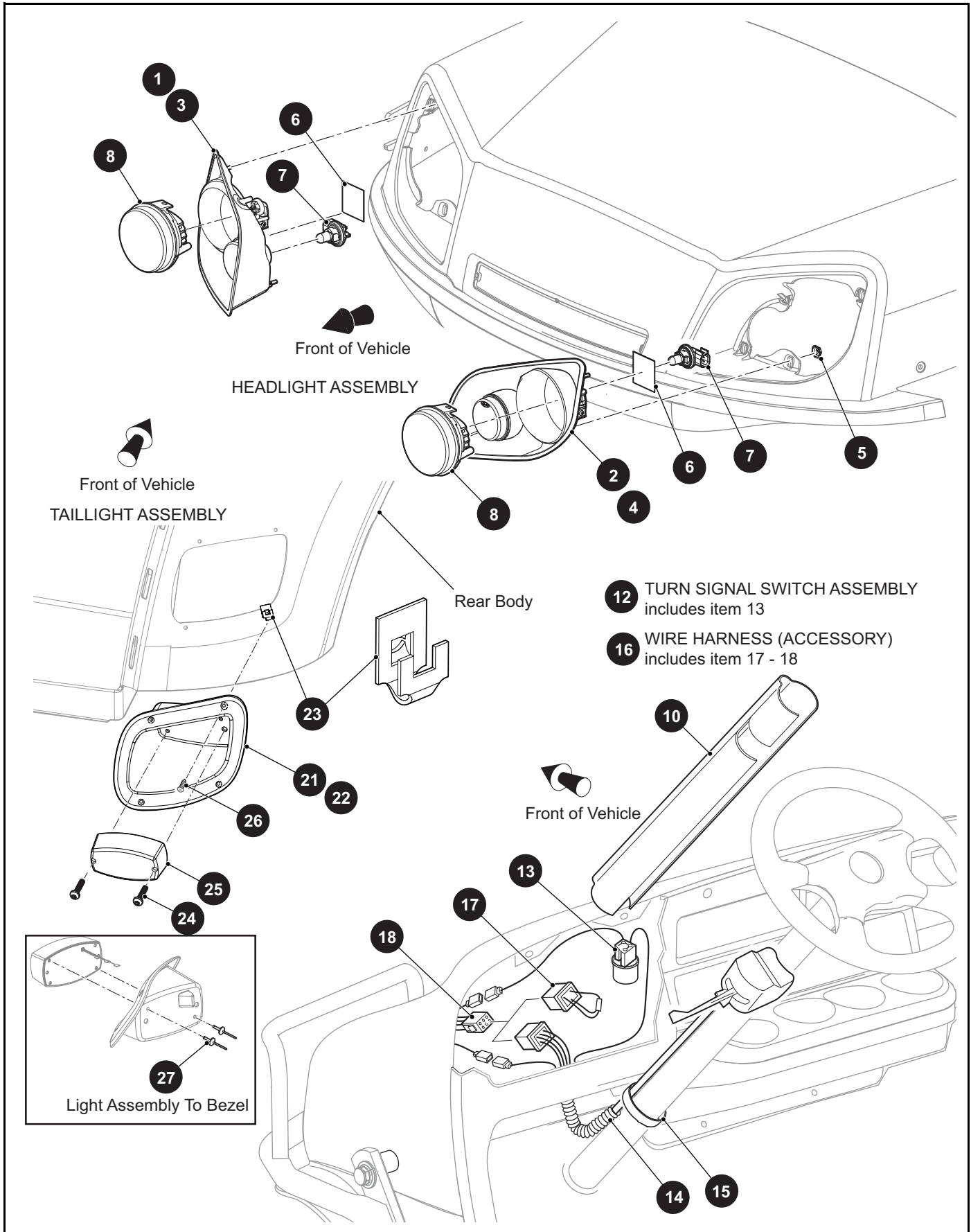
When ordering parts, please specify the model and serial number of the product.

* Indicates a component that is not available as an individual part.

*** Indicates consult Customer Service Department for additional information.

ITEM	PART NO.	1 2 3 4 5	DESCRIPTION	QTY.
1	624514G02		DIRECTION SELECTOR SWITCH (FNR)	1
2	73030G12		CONSOLE PLATE	1
3	74322G01		CONSOLE PLATE DECAL WITH LIGHTS	1
4	33623G02		DRIVE RIVET, 3/16" X 3/8" LG	2
5	645774		FUSE HARNESS (SOC).....	1
6	33636G05		STATE OF CHARGE METER (SOC), 48V	1
7				
8				
9	74018G01		WIRE HARNESS (SOC)	1
10	613271		CONTINUOUS TONE BUZZER.....	1
11	01041G01		RIVET (ALUMINUM), 5/32" X .84" LG	2
12	22674G1		FUSE BLOCK	1
13	01041G01		RIVET (ALUMINUM), 5/32" X .84" LG	2
14	00559G4		FLAT WASHER, #8 (NOT ILLUSTRATED).....	2
15	18392G1		FUSE (15 AMP).....	1
16	33639G01		KEY SWITCH (WITH LIGHTS)	1
17	33639G02		KEY SWITCH (WITH LIGHTS)	1
18	33639G03		KEY SWITCH (WITH LIGHTS)	1
19	00568G6		LOCK WASHER (TOOTH TYPE), 3/4"	1
20	17137G1		FACE NUT, 3/4" - 20	1
21				
22				
23	74693G02		CONSOLE INSERT ASSEMBLY WITH PLUG (INCLUDES ITEMS 24 - 25)	1
24	73522G03		CONSOLE INSERT PLATE.....	1
25	20271G10		PLUG, 1.125" DIA.....	1
26				
27	33623G02		RIVET (PLASTIC), 3/16" X .421" LG	3
28	17618G1		CLAMP (NYLON), 7" LG (NOT ILLUSTRATED).....	1

ELECTRICAL SYSTEM



ELECTRICAL SYSTEM

THE USE OF NON U.L. PARTS WILL VOID ANY U.L. LISTING.

When ordering parts, please specify the model and serial number of the product.

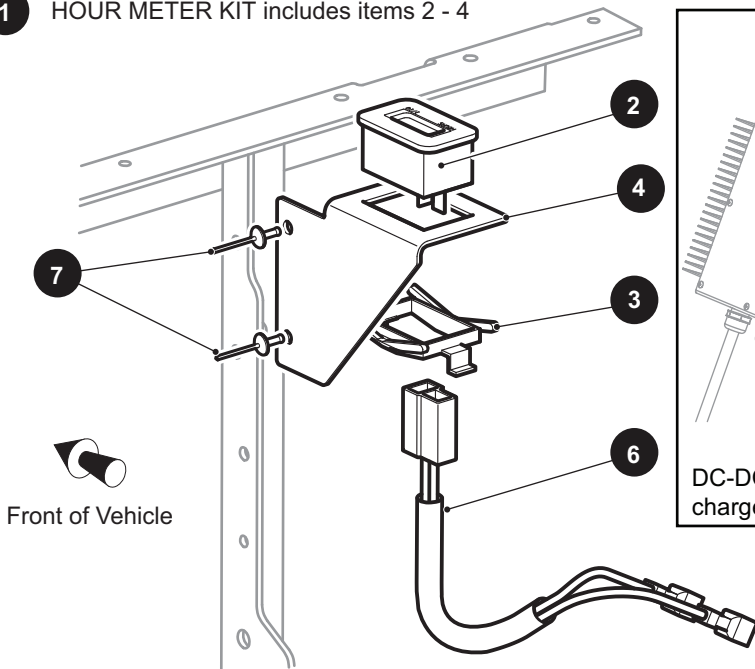
* Indicates a component that is not available as an individual part.

*** Indicates consult Customer Service Department for additional information.

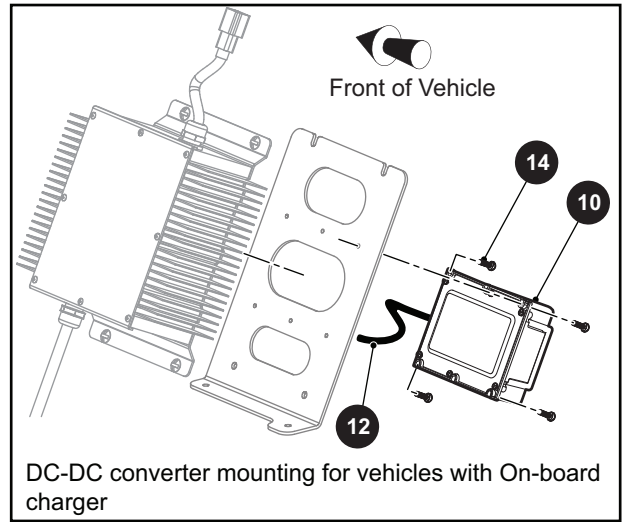
ITEM	PART NO.	1 2 3 4 5	DESCRIPTION	QTY.
1	614497		HEADLIGHT ASSEMBLY (PASSENGER SIDE).....	1
2	614501		HEADLIGHT ASSEMBLY (DRIVER SIDE)	1
3	618556		LED HEADLIGHT ASSEMBLY (PASSENGER SIDE).....	1
4	618555		LED HEADLIGHT ASSEMBLY (DRIVER SIDE)	1
5	71597G01		SELF THREADING NUT, 5MM X 10MM X 15MM	4
6	71781G02		VINYL TAPE (FOR VEHICLES WITHOUT TURN SIGNAL)	1
7	619102		TURN SIGNAL BULB ASSEMBLY	1
8	619100		HEADLIGHT BULB	1
9				
10	20965G3		STEERING COLUMN COVER	1
11				
12	611810		TURN SIGNAL SWITCH ASSEMBLY (INCLUDES ITEM 13).....	1
13	21640G1		FLASHER UNIT	1
14	*		FLEX LOOM.....	1
15	*		CLAMP (NYLON).....	1
16	666161		WIRE HARNESS (ACCESSORY) (INCLUDES ITEMS 17 - 18).....	1
17	618260		TAIL LIGHT JUMPER PLUG (FOR VEHICLES WITHOUT TAILLIGHT AND TURN SIGNAL).....	1
18	619058		TURN SIGNAL CONNECTOR	1
19	17618G1		CLAMP (NYLON), 7" LG (NOT ILLUSTRATED).....	AR
20	31539G1		CLAMP (NYLON), 5.5" LG (NOT ILLUSTRATED).....	AR
21	625251		TAILLIGHT BEZEL, (DRIVER SIDE)	1
22	625252		TAILLIGHT BEZEL, (PASSENGER SIDE).....	1
23	71364G02		"J" TYPE NUT, #8	4
24	00513G4		PAN HEAD PHILLIPS SCREW, #8 - 18 X 3/4" LG	2
25	22288G1		TAILLIGHT ASSEMBLY.....	1
26	71425G01		TAPPING SCREW, #8 - 18 X 3/4" LG.....	4
27	14601G11		RIVET (ALUMINUM), 3/16" X 9/16"	2

ELECTRICAL SYSTEM

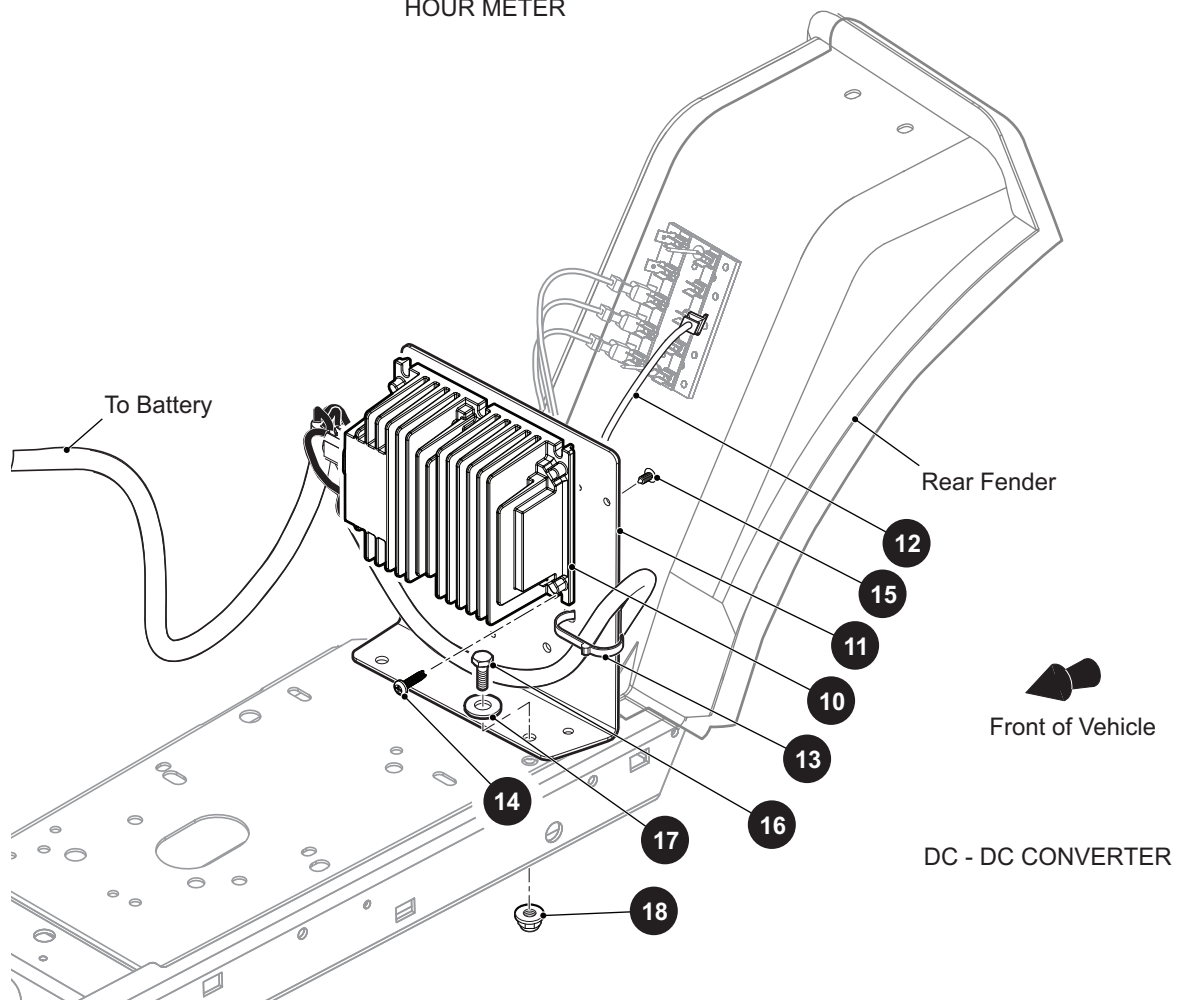
1 HOUR METER KIT includes items 2 - 4



HOUR METER



DC-DC converter mounting for vehicles with On-board charger



DC - DC CONVERTER

ELECTRICAL SYSTEM

THE USE OF NON U.L. PARTS WILL VOID ANY U.L. LISTING.

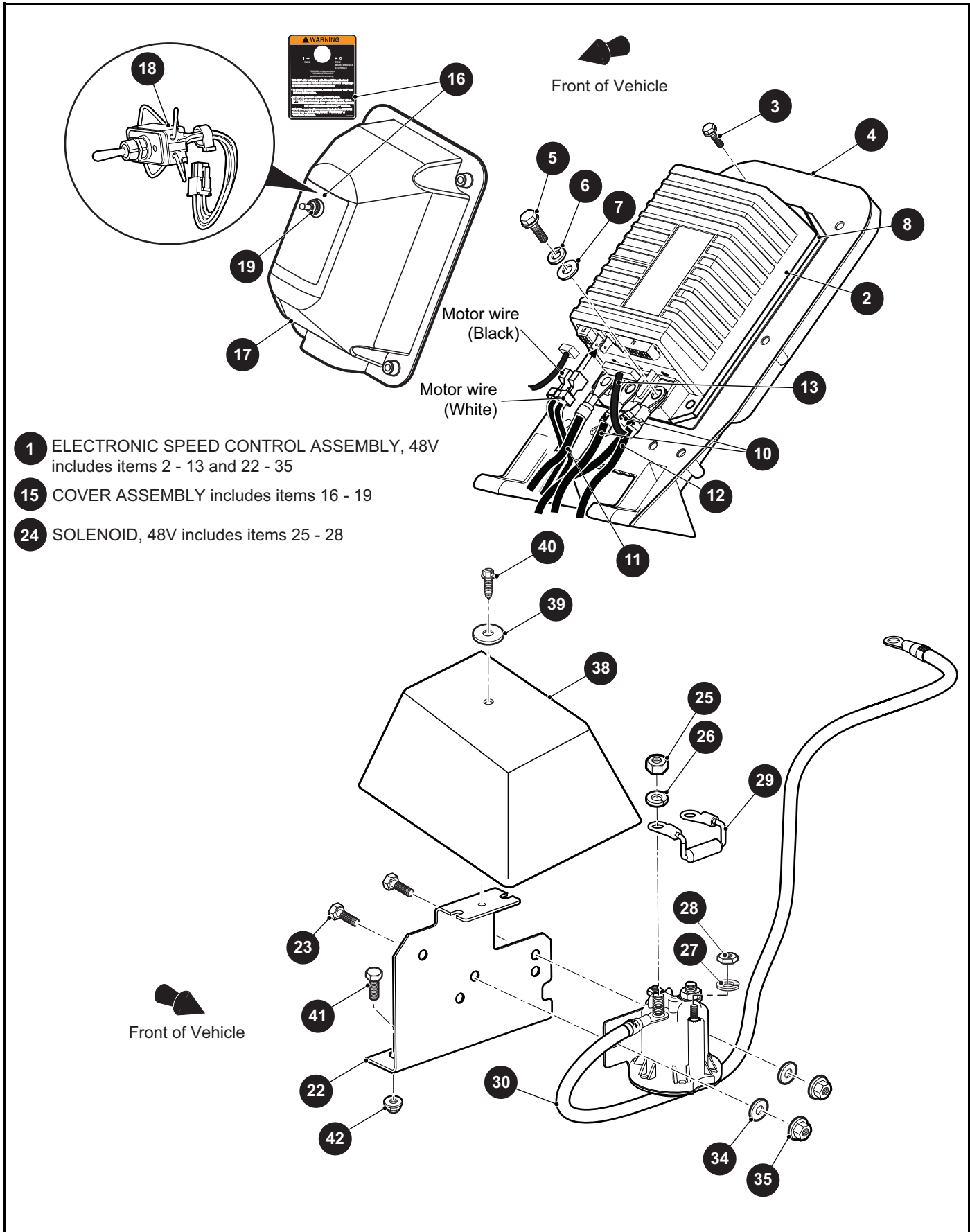
When ordering parts, please specify the model and serial number of the product.

* Indicates a component that is not available as an individual part.

*** Indicates consult Customer Service Department for additional information.

ITEM	PART NO.	1 2 3 4 5	DESCRIPTION	QTY.
1	74720G01		HOUR METER ASSEMBLY (INCLUDES ITEMS 2 - 4)	1
2	620133		HOUR METER	1
3	74696G01		RETAINER CLIP	1
4	74716G01		BRACKET	1
5				
6	75117G01		HOUR METER HARNESS.....	1
7	10570G11		RIVET (SS), 3/16" X .70" LG.....	2
8				
9				
10	632185		DC-DC CONVERTER	1
11	633303		DC-DC CONVERTER BRACKET	1
12	605888		DC-DC HARNESS	1
13	17618G1		CLAMP (NYLON), 7" LG	4
14	632372		SELF TAPPING SCREW, #10 - 32 X .75" LG	4
15	16816G5		RATCHET RIVET, .187" X .550" LG	1
16	00414G6		HEX HEAD BOLT, 1/4" - 20 X .75" LG	2
17	00559G7		FLAT WASHER, 1/4"	2
18	11027G2		FLANGED LOCK NUT, 1/4" - 20	2
19	19344G1		VINYL TAPE (NOT ILLUSTRATED).....	1

ELECTRONIC SPEED CONTROL



ELECTRONIC SPEED CONTROL

THE USE OF NON U.L. PARTS WILL VOID ANY U.L. LISTING.

When ordering parts, please specify the model and serial number of the product.

* Indicates a component that is not available as an individual part.

*** Indicates consult Customer Service Department for additional information.

ITEM	PART NO.	1 2 3 4 5	DESCRIPTION	QTY.
1	654740		ELECTRONIC SPEED CONTROL ASSEMBLY, 48V (INCLUDES ITEMS 2 - 13 AND 22 - 35).....	1
2	612632		CONTROLLER, 48V.....	1
3	71102G01		FLANGED HEX HEAD BOLT, 1/4" - 20 X .9" LG.....	3
4	73471G01		HEATSINK.....	1
5	73296G01		FLANGED HEX HEAD BOLT, M8 - 1.25 X 16MM LG.....	3
6	00565G8		LOCK WASHER, 5/16".....	3
7	00559G8		FLAT WASHER, 5/16".....	3
8	73190G01		THERMAL MOUNTING PAD.....	1
9	31539G1		NYLON CLAMP, 15.5" LG (NOT ILLUSTRATED).....	1
10	617612		WIRE HARNESS (POWER).....	1
11	620437		6 AWG WIRE (BLUE), 6AWG, 675MM.....	1
12	620432		6 AWG WIRE (GREEN), 4AWG, 400MM.....	1
13	620964		MAIN WIRE HARNESS (VPS), 48V.....	1
14				
15	612753		COVER ASSEMBLY (INCLUDES ITEMS 16 - 19).....	1
16	613048		RUN/TOW SWITCH LABEL, 48V.....	1
17	73482G01		COVER (WITH GASKET).....	1
18	633114		RUN/TOW TOGGLE SWITCH.....	1
19	73139G01		SEAL NUT (SWITCH), 15/32" - 32.....	1
20				
21				
22	73057G02		BRACKET.....	1
23	00414G5		HEX HEAD BOLT, 1/4" - 20 X .5" LG.....	2
24	612711		SOLENOID, 48V (INCLUDES ITEMS 25 - 28).....	1
25	00544G4		LOCK NUT, 5/16" - 24.....	2
26	00565G8		LOCK WASHER, 5/16".....	2
27	00565G5		LOCK WASHER, #10.....	2
28	00526G4		LOCK NUT, #10 - 32.....	2
29	620430		RESISTOR ASSEMBLY.....	1
30	607592		4 AWG WIRE (GREEN), 28" LG.....	1

ELECTRONIC SPEED CONTROL

THE USE OF NON U.L. PARTS WILL VOID ANY U.L. LISTING.

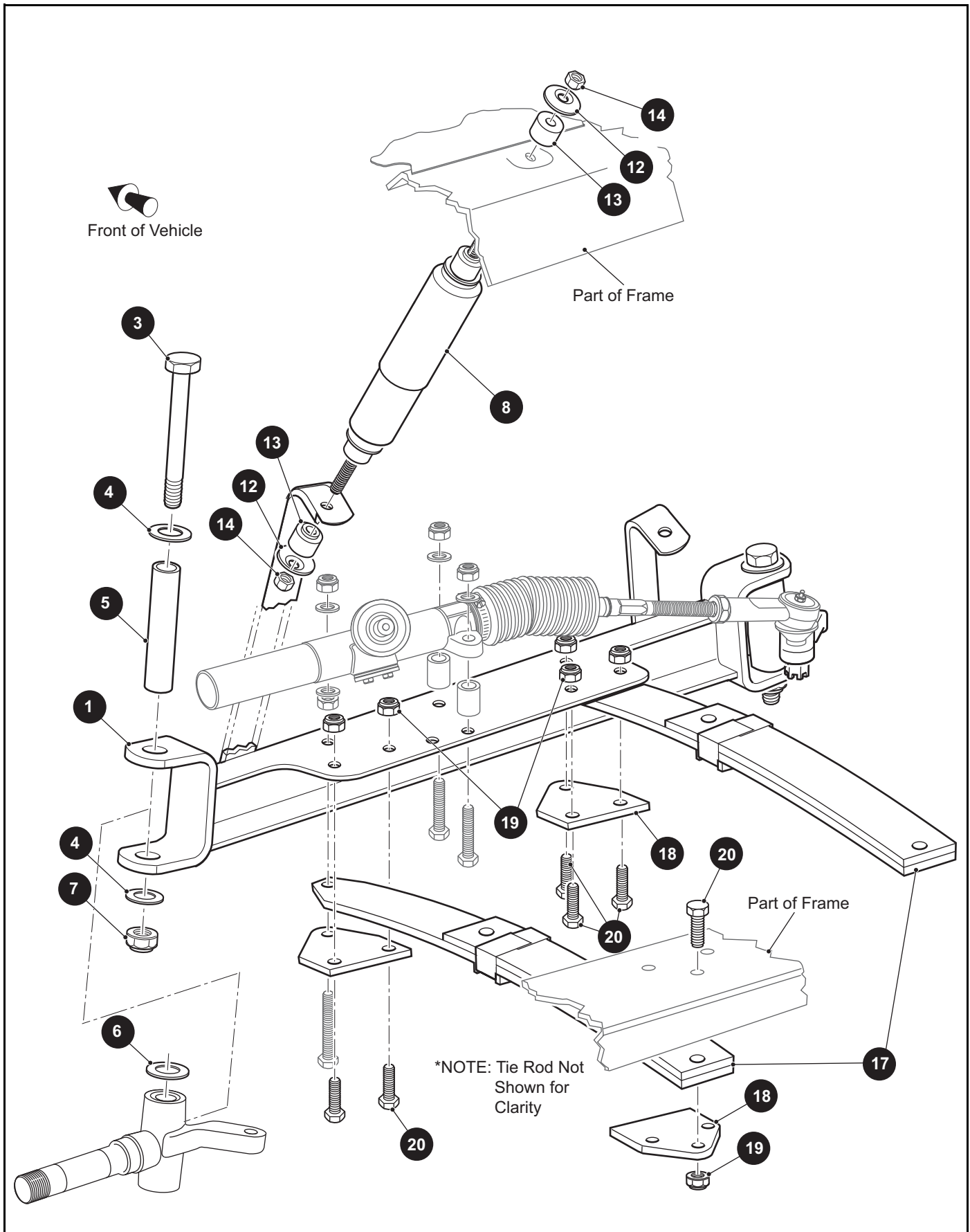
When ordering parts, please specify the model and serial number of the product.

* Indicates a component that is not available as an individual part.

*** Indicates consult Customer Service Department for additional information.

ITEM	PART NO.	1	2	3	4	5	DESCRIPTION	QTY.
31								
32								
33								
34	01110G01						FLAT WASHER, 1/4".....	2
35	11027G2						FLANGED LOCK NUT, 1/4" - 20.....	2
36								
37								
38	73049G01						COVER.....	1
39	16469G1						FLAT WASHER, 5/16".....	1
40	00114G6						HEX WASHER HEAD TAPPING SCREW, 1/4" - 10 X .75" LG.....	1
41	00438G6						HEX HEAD BOLT, 5/16" - 18 X .625" LG.....	2
42	11027G1						FLANGED LOCK NUT, 5/16" - 18.....	2

FRONT SUSPENSION AND STEERING



FRONT SUSPENSION AND STEERING

THE USE OF NON U.L. PARTS WILL VOID ANY U.L. LISTING.

When ordering parts, please specify the model and serial number of the product.

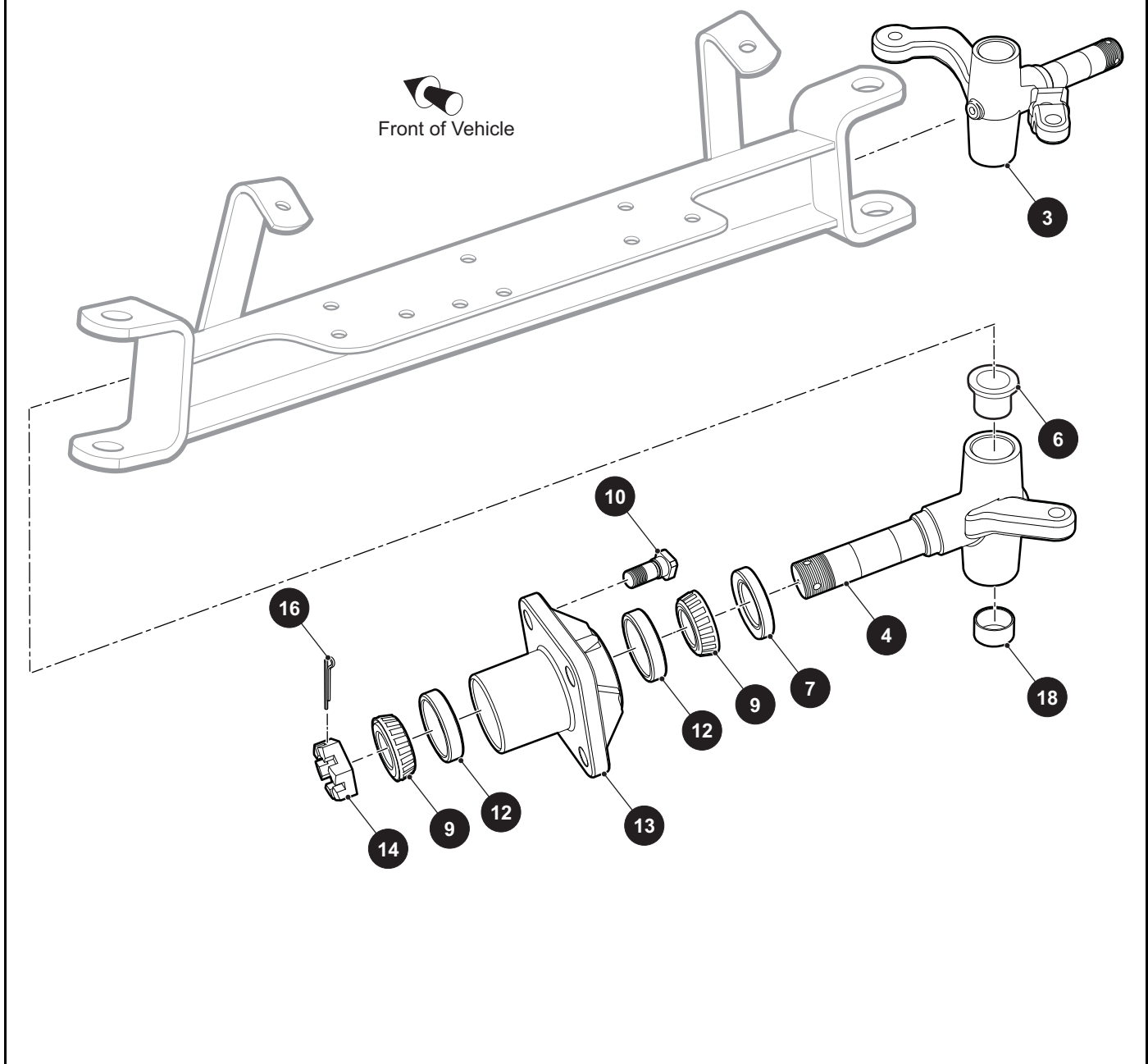
* Indicates a component that is not available as an individual part.

*** Indicates consult Customer Service Department for additional information.

ITEM	PART NO.	1 2 3 4 5	DESCRIPTION	QTY.
1	602513		FRONT AXLE.....	1
2				
3	00407G6		HEX HEAD BOLT, 1/2" - 13 X 6" LG	2
4	00560G3		FLAT WASHER, 1/2"	4
5	70745G01		KING PIN TUBE.....	2
6	70754G01		THRUST WASHER (SS), 1"	2
7	14390G6		LOCK NUT, 1/2" - 13.....	2
8	76419G01		SHOCK ABSORBER.....	2
9				
10				
11				
12	10435G1		SHOCK ABSORBER WASHER.....	8
13	10194G1		RUBBER BUSHING.....	8
14	00532G6		HEX NUT, 3/8" - 24	4
15				
16				
17	70990G03		LEAF SPRING	2
18	652258		SPRING PLATE	4
19	00734G1		LOCK NUT, 7/16" - 14.....	AR
20	00463G11		HEX HEAD BOLT, 7/16" - 14 X 1 3/4" LG	AR

FRONT SUSPENSION AND STEERING

- 1 SPINDLE ASSEMBLY (PASSENGER SIDE) includes items 3, 6 - 18
- 2 SPINDLE ASSEMBLY (DRIVER SIDE) includes items 4 - 18



FRONT SUSPENSION AND STEERING

THE USE OF NON U.L. PARTS WILL VOID ANY U.L. LISTING.

When ordering parts, please specify the model and serial number of the product.

* Indicates a component that is not available as an individual part.

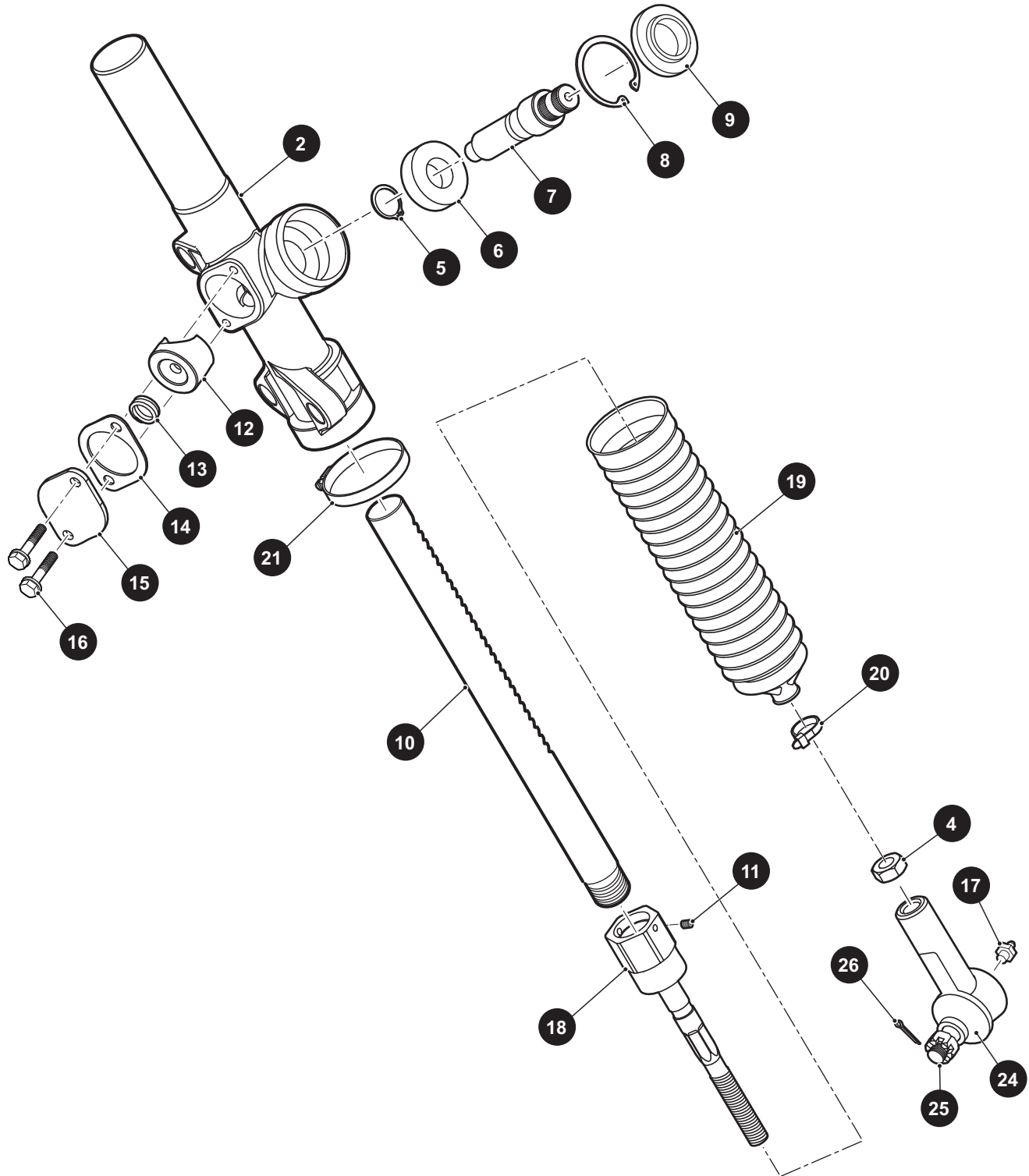
*** Indicates consult Customer Service Department for additional information.

ITEM	PART NO.	1 2 3 4 5	DESCRIPTION	QTY.
1	70942G03		SPINDLE ASSEMBLY (PASSENGER SIDE) (INCLUDES ITEMS 3, 6 - 18) ...	1
2	70673G03		SPINDLE ASSEMBLY (DRIVER SIDE) (INCLUDES ITEMS 4 - 18).....	1
3	70940G02		SPINDLE (PASSENGER SIDE)	1
4	70742G02		SPINDLE (DRIVER SIDE).....	1
5				
6	632925		FLANGED BUSHING	1
7	25146G1		GREASE SEAL.....	1
8				
9	11750G2		ROLLER BEARING	2
10	19862G1		WHEEL HUB BOLT, 1/2" - 20 X 1.218" LG.....	4
11				
12	51141G1		BEARING RACE	2
13	70589G01		WHEEL HUB	1
14	12093G1		HEX SLOTTED NUT, 17/32"	1
15				
16	00798G8		COTTER PIN, 5/32" X 1 - 3/4".....	1
17				
18	632926		SLEEVE BUSHING	1

FRONT SUSPENSION AND STEERING

1 RACK AND PINION UNIT includes items 2 - 23

23 RACK BALL JOINT includes items 24 - 25



FRONT SUSPENSION AND STEERING

THE USE OF NON U.L. PARTS WILL VOID ANY U.L. LISTING.

When ordering parts, please specify the model and serial number of the product.

* Indicates a component that is not available as an individual part.

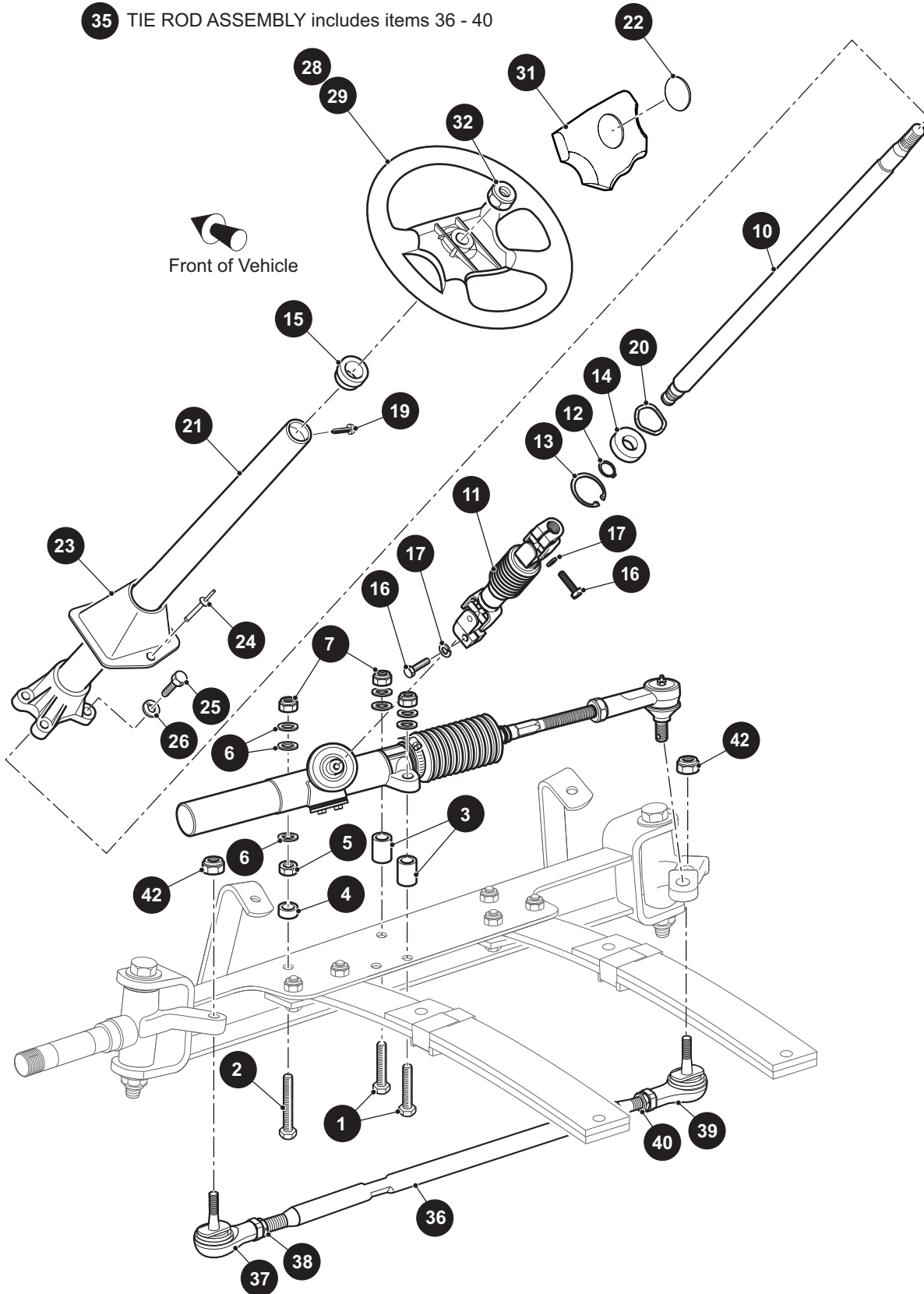
*** Indicates consult Customer Service Department for additional information.

ITEM	PART NO.	1 2 3 4 5	DESCRIPTION	QTY.
1	70964G01		RACK AND PINION UNIT (INCLUDES ITEMS 2 - 23)	1
2	70965G01		STEERING RACK COVER & BEARING	1
3				
4	*		JAM NUT, 1/2" - 20	1
5	70750G01		RETAINING RING (EXTERNAL)	1
6	15112G1		BALL BEARING	1
7	70603G01		PINION	1
8	70751G01		RETAINING RING (INTERNAL)	1
9	70638G01		SEAL (PINION)	1
10	70604G01		STEERING RACK	1
11	*		SET SCREW, #10 - 32 X .25" LG	1
12	70590G01		RACK LOADER	1
13	70666G01		COMPRESSION SPRING	1
14	70645G01		GASKET (RACK LOADER COVER)	1
15	652259		COVER (RACK LOADER)	1
16	71102G01		HEX WASHER HEAD BOLT, 1/4" - 20 X 11/16" LG	2
17	10389G3		GREASE FITTING (STRAIGHT)	1
18	74694G01		ROD END (INNER)	1
19	70961G01		RACK BOOT	1
20	12416G2		NYLON CLAMP, 10"	1
21	11391G8		HOSE CLAMP, 1.81"	1
22				
23	70695G01		TIE ROD END (OUTER) (INCLUDES ITEMS 24 - 25)	1
24	50641G1		GROMMET	1
25	50209G2		HEX SLOTTED NUT, 7/16" - 20	1
26	10387G2		COTTER PIN, 3/32" X 1"	1

FRONT SUSPENSION AND STEERING

9 STEERING COLUMN ASSEMBLY includes items 10 - 21

35 TIE ROD ASSEMBLY includes items 36 - 40



FRONT SUSPENSION AND STEERING

THE USE OF NON U.L. PARTS WILL VOID ANY U.L. LISTING.

When ordering parts, please specify the model and serial number of the product.

* Indicates a component that is not available as an individual part.

*** Indicates consult Customer Service Department for additional information.

ITEM	PART NO.	1 2 3 4 5	DESCRIPTION	QTY.
1	00464G8		HEX HEAD BOLT, 7/16" - 14 X 2 3/4" LG	2
2	01068G01		HEX HEAD BOLT, 7/16" - 14 X 3 1/2" LG	1
3	70667G02		SPACER, 1.21"	2
4	70667G04		SPACER (SHORT), .69"	1
5	00532G7		HEX NUT, 7/16" - 14	1
6	00560G2		FLAT WASHER, 7/16"	7
7	00734G1		LOCK NUT, 7/16" - 14	3
8				
9	70758G05		STEERING COLUMN ASSEMBLY (INCLUDES ITEMS 10 - 21)	1
10	70607G01		STEERING SHAFT	1
11	70580G01		INTERMEDIATE SHAFT	1
12	70888G01		RETAINING RING (EXTERNAL)	1
13	70751G01		RETAINING RING (INTERNAL)	1
14	15112G1		BALL BEARING	1
15	28569G01		BUSHING	1
16	01055G01		HEX HEAD BOLT, M8 - 1.25 X 30MM LG	2
17	00565G8		LOCK WASHER (SPRING TYPE), 5/16"	2
18				
19	01022G01		HEX HEAD BOLT, #6 - 20 X 5/16" LG	1
20	70887G01		WAVE WASHER (SS)	1
21	70610G03		STEERING COLUMN	1
22	618086		CUSHMAN DECAL (STEERING WHEEL)	1
23	70997G01		STEERING COLUMN BASE COVER	1
24	71055G01		RIVET, 3/16"	1
25	01006G01		HEX HEAD BOLT, 3/8" - 16 X 1 1/4" LG	4
26	00879G1		LOCK WASHER, 3/8"	4
27				
28	602980		STEERING WHEEL (PREMIUM)	1
29	602979		STEERING WHEEL	1
30				
31	71147G01		STEERING WHEEL COVER	1

FRONT SUSPENSION AND STEERING

THE USE OF NON U.L. PARTS WILL VOID ANY U.L. LISTING.

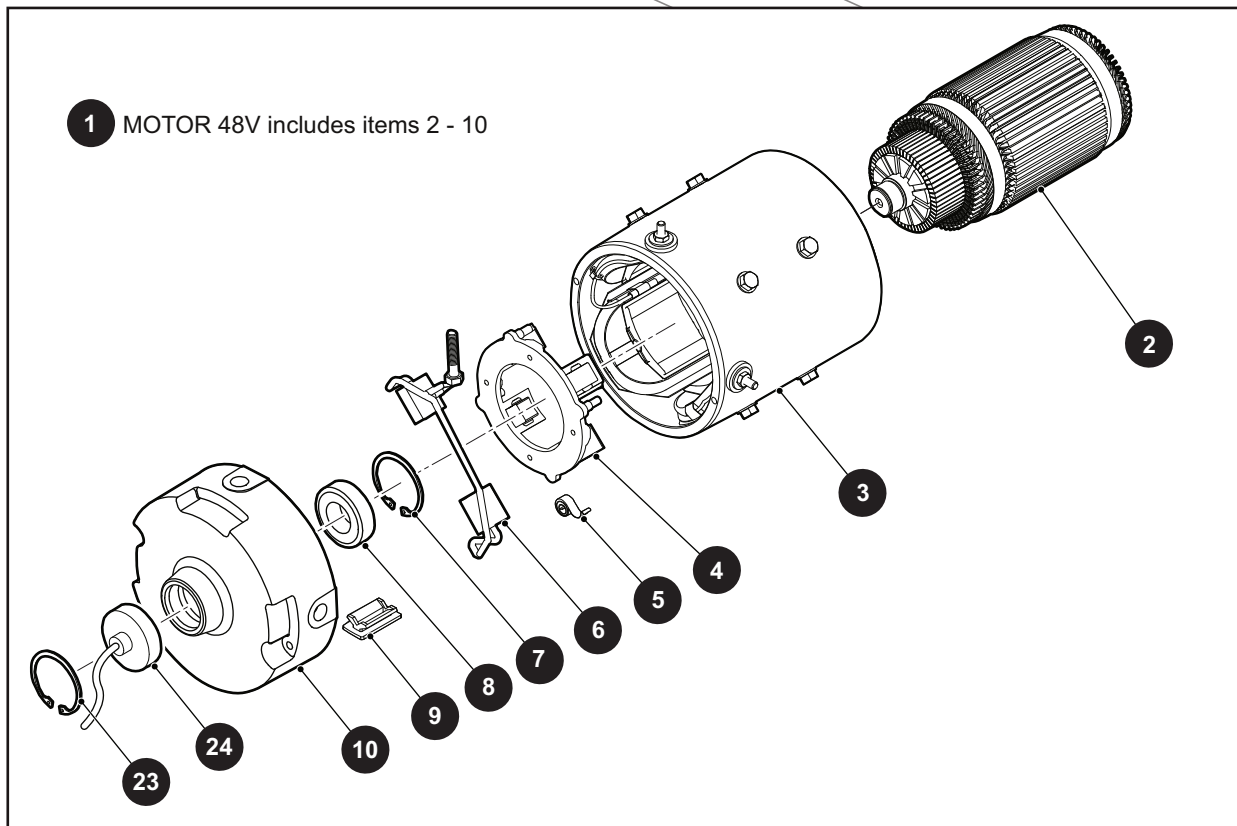
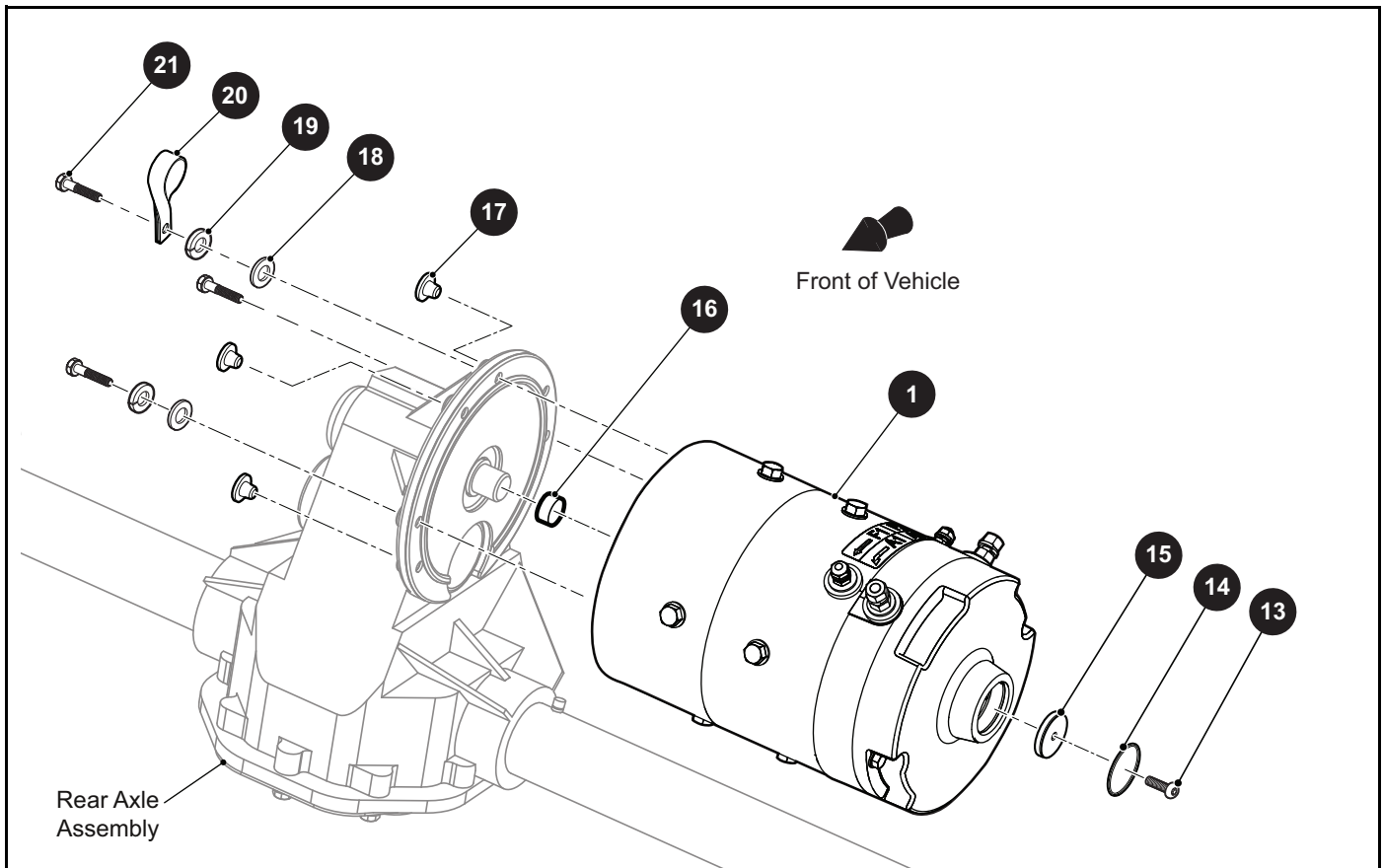
When ordering parts, please specify the model and serial number of the product.

* Indicates a component that is not available as an individual part.

*** Indicates consult Customer Service Department for additional information.

ITEM	PART NO.	1 2 3 4 5	DESCRIPTION	QTY.
32	14390G2		LOCK NUT, 5/8" - 18	1
33				
34				
35	70876G02		TIE ROD ASSEMBLY (INCLUDES ITEMS 36 - 40)	1
36	70897G02		THREADED ROD, 24"	1
37	70902G01		TIE ROD END (LEFT HAND THREADS)	1
38	01069G01		JAM NUT, M12 X 1.25 - 05 (LEFT HAND THREADS)	1
39	70902G02		TIE ROD END (RIGHT HAND THREADS)	1
40	01069G02		JAM NUT, M12 X 1.25 - 05 (RIGHT HAND THREADS)	1
41				
42	00734G1		LOCK NUT, 7/16" - 14	2

MOTOR



THE USE OF NON U.L. PARTS WILL VOID ANY U.L. LISTING.

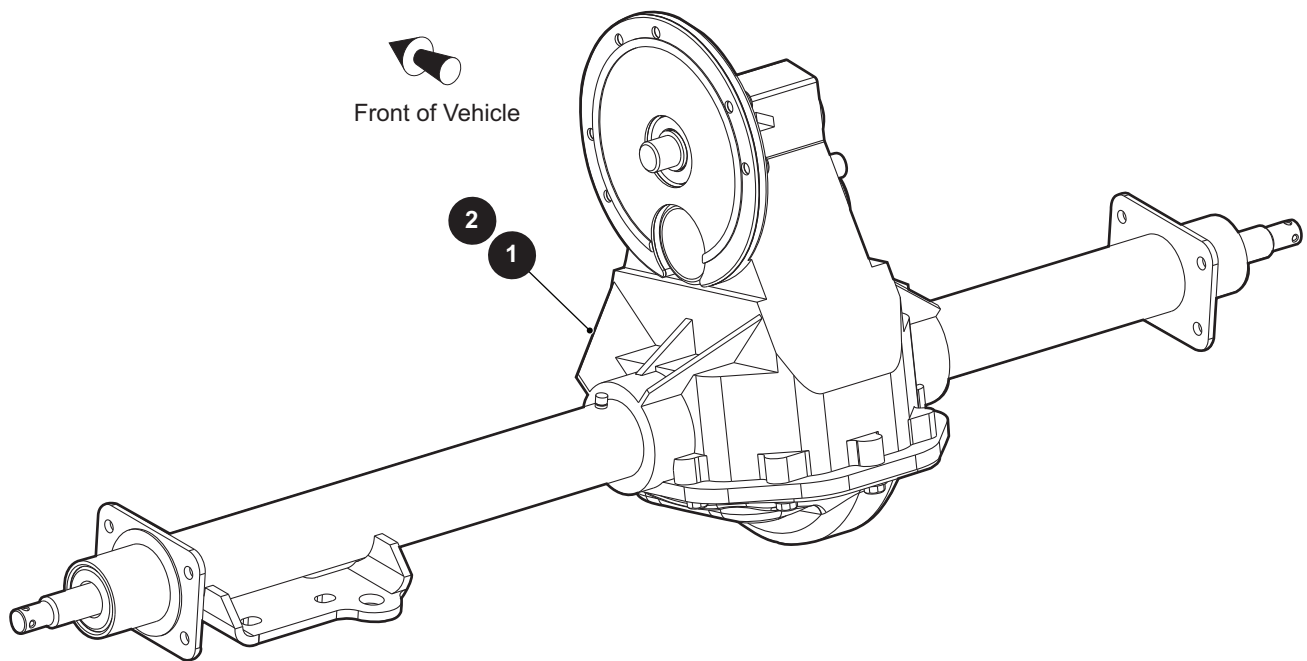
When ordering parts, please specify the model and serial number of the product.

* Indicates a component that is not available as an individual part.

*** Indicates consult Customer Service Department for additional information.

ITEM	PART NO.	1 2 3 4 5	DESCRIPTION	QTY.
1	624105		MOTOR 48V DC (INCLUDES ITEMS 2 - 10)	1
2	626171		ARMATURE ASSEMBLY	1
3	626172		FRAME AND FIELD ASSEMBLY	1
4	625884		BRUSH BOX ASSEMBLY	1
5	73120G03		BRUSH SPRING	4
6	73120G25		BRUSH AND TERMINAL SERVICE KIT	1
7	73120G06		RETAINING RING	1
8	73120G07		BEARING.....	1
9	625885		COVER.....	1
10	625886		COMMUTATOR END HEAD	1
11				
12				
13	01037G02		PAN HEAD TORX SCREW (SS), #10 - 32 X .5" LG.....	1
14	624109		O-RING	1
15	73328G01		SPEED SENSOR MAGNET	1
16	24261G1		BUMPER (SPLINE).....	1
17	624110		PLUG	3
18	01110G01		FLAT WASHER, 1/4"	3
19	00664G7		LOCK WASHER (SS), 1/4"	3
20	27327G02		TWISTED CLAMP.....	1
21	00797G2		HEX HEAD CAP BOLT, 1/4" - 20 X 1.25" LG.....	3
22				
23	73277G01		RETAINING RING.....	1
24	620422		SPEED SENSOR HARNESS, 48V	1

REAR AXLE



THE USE OF NON U.L. PARTS WILL VOID ANY U.L. LISTING.

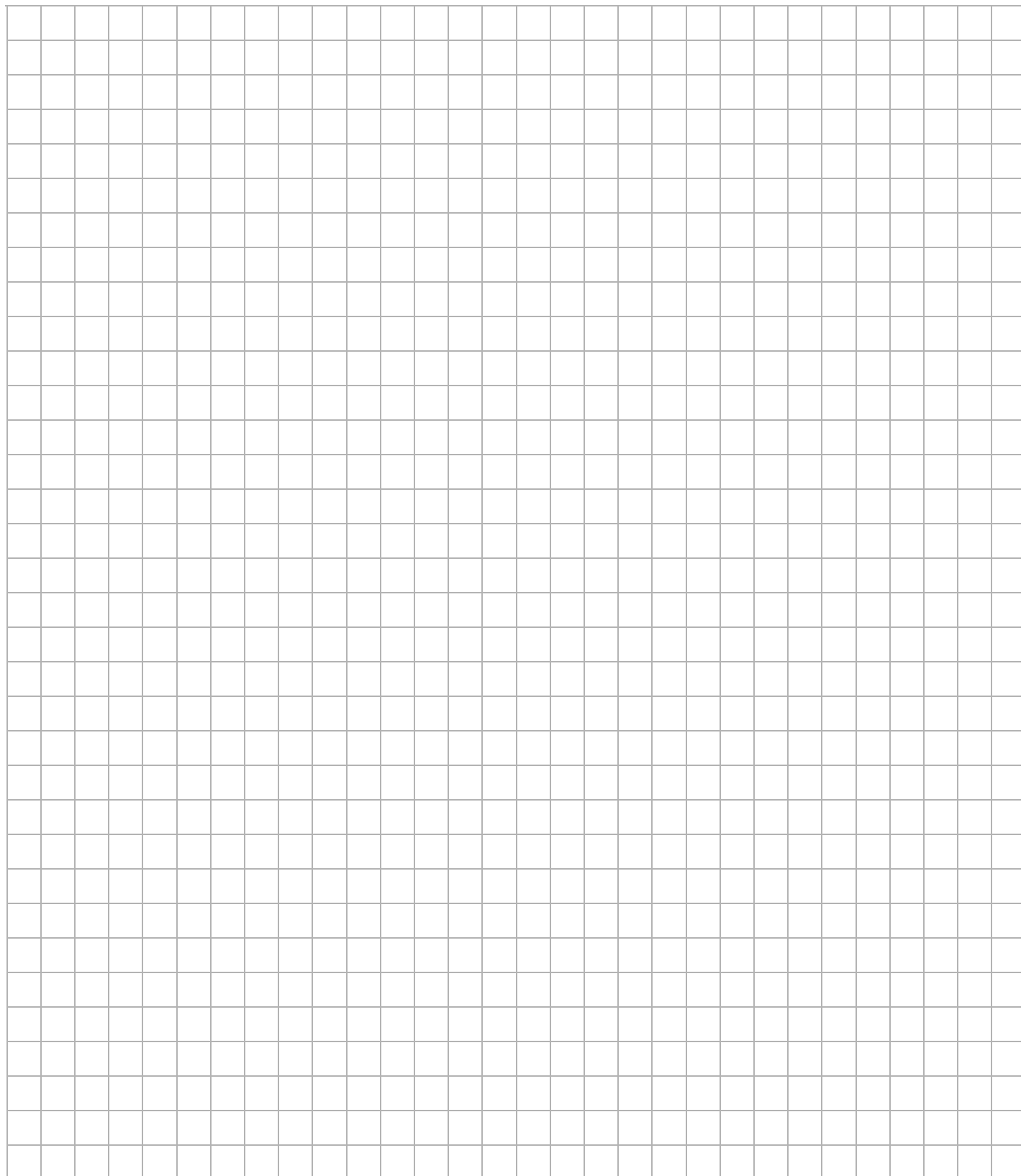
When ordering parts, please specify the model and serial number of the product.

* Indicates a component that is not available as an individual part.

*** Indicates consult Customer Service Department for additional information.

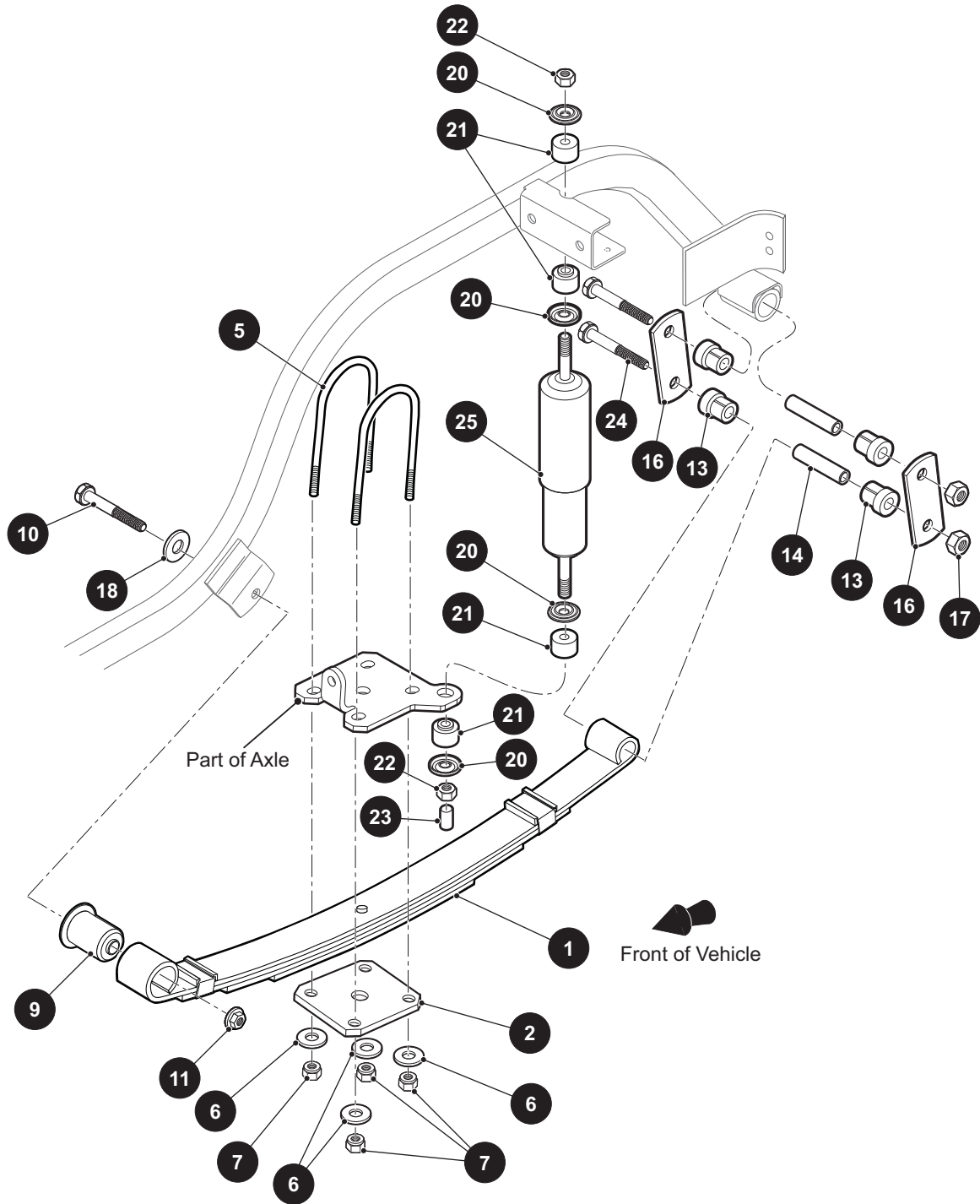
ITEM	PART NO.	1 2 3 4 5	DESCRIPTION	QTY.
1	73500G01		REAR AXLE, 12.44:1	1
2	615154		REAR AXLE WITH LSD, 12.44:1	1

Notes:



A large grid of 20 columns and 35 rows, intended for handwritten notes or diagrams.

REAR SUSPENSION



REAR SUSPENSION

THE USE OF NON U.L. PARTS WILL VOID ANY U.L. LISTING.

When ordering parts, please specify the model and serial number of the product.

* Indicates a component that is not available as an individual part.

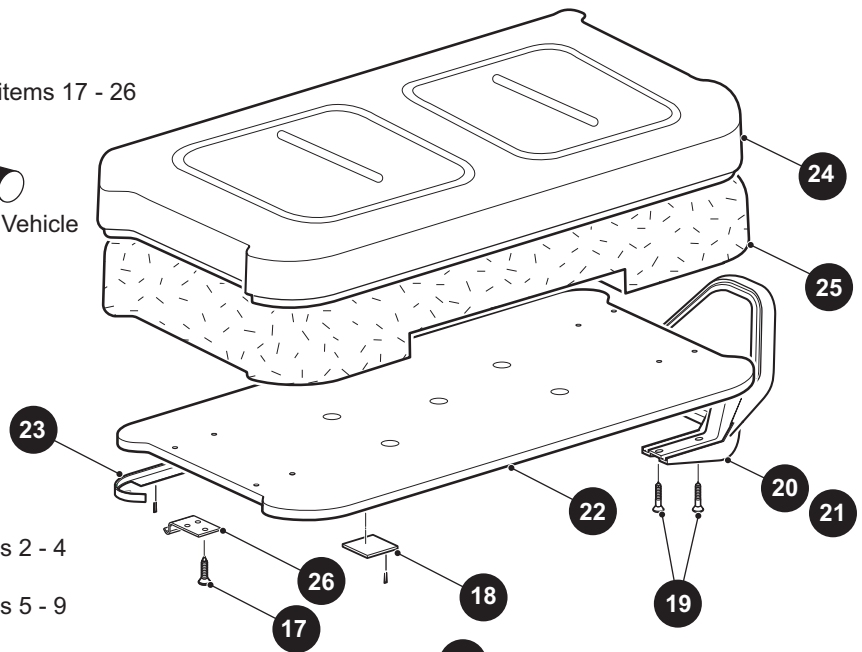
*** Indicates consult Customer Service Department for additional information.

ITEM	PART NO.	1 2 3 4 5	DESCRIPTION	QTY.
1	74207G03		LEAF SPRING	1
2	652246		REAR SUSPENSION PLATE	1
3				
4				
5	72618G01		'U' BOLT, 3/8" - 16 X 2" X 2 1/8" LG.....	2
6	00560G1		FLAT WASHER, 3/8".....	4
7	11098G5		LOCK NUT, 3/8" - 16.....	4
8				
9	605445		FRONT SPRING BUSHING.....	1
10	14158G1		SHOULDER BOLT, 3/8" - 16 X 2.75" LG	2
11	12262G1		FLANGED LOCK NUT, 3/8" - 16.....	1
12				
13	624030		FLANGED BUSHING.....	4
14	70289G02		SPLIT STEEL SPACER	2
15				
16	652245		SHACKLE PLATE	2
17	11098G5		LOCK NUT, 3/8" - 16.....	2
18	00643G1		FLAT WASHER, 3/8".....	1
19				
20	10435G1		SHOCK ABSORBER WASHER, .406" I.D. X 1.25" O.D.....	4
21	10194G1		RUBBER BUSHING.....	4
22	00532G6		HEX NUT, 3/8" - 24	2
23	10044G01		VINYL CAP.....	1
24	00665G9		HEX HEAD CAP SCREW (SS), 3/8" - 16 X 1" LG.....	2
25	76418G01		SHOCK ABSORBER.....	1

SEATING

16 SEAT BOTTOM ASSEMBLY includes items 17 - 26

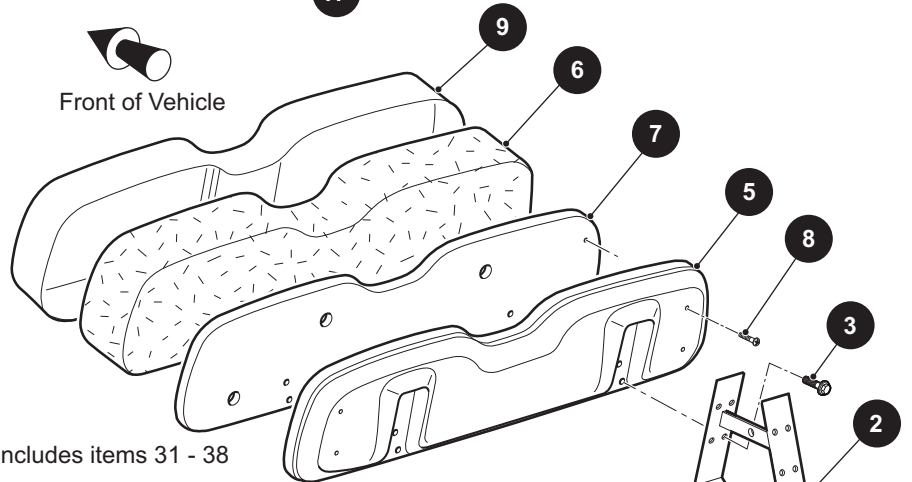
Front of Vehicle



1 SEAT BACK ASSEMBLY includes items 2 - 4

4 SEAT BACK ASSEMBLY includes items 5 - 9

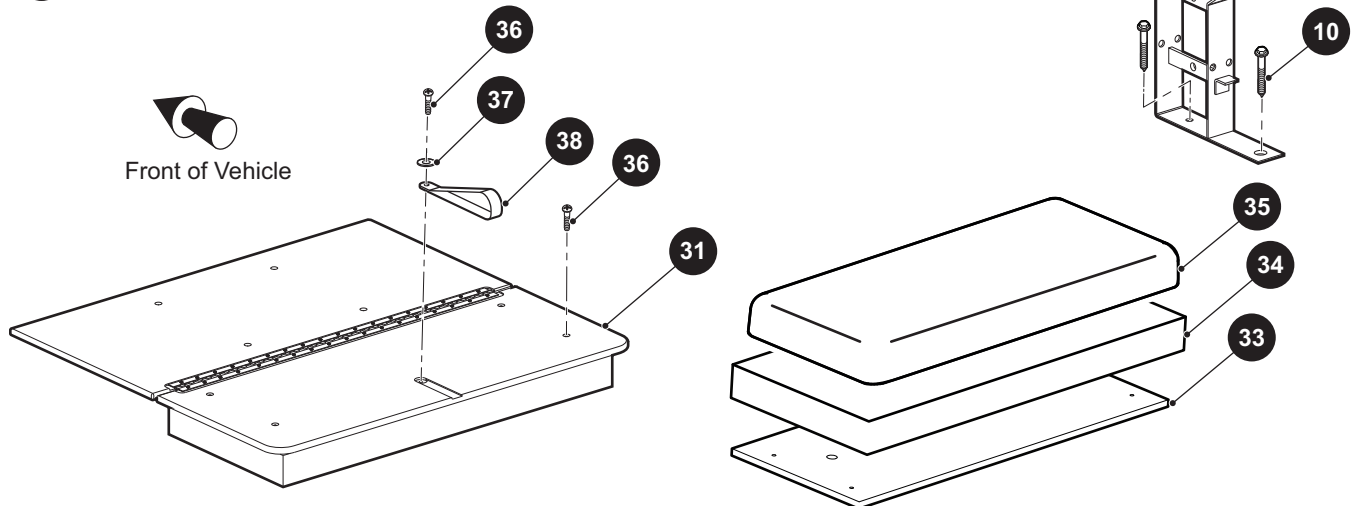
Front of Vehicle



30 FLIP SEAT BOTTOM ASSEMBLY includes items 31 - 38

32 SEAT BOTTOM ASSEMBLY includes items 33 - 35

Front of Vehicle



THE USE OF NON U.L. PARTS WILL VOID ANY U.L. LISTING.

When ordering parts, please specify the model and serial number of the product.

* Indicates a component that is not available as an individual part.

*** Indicates consult Customer Service Department for additional information.

ITEM	PART NO.	1 2 3 4 5	DESCRIPTION	QTY.
1	***		SEAT BACK ASSEMBLY (INCLUDES ITEMS 2 - 4)..... 632818G01 OYSTER 632818G03 TAN 632818G04 GREY 632818G06 BLACK 632818G07 BROWN	1
2	634178		SUPPORT WELDMENT.....	1
3	71204G01		HEX WASHER HEAD BOLT WITH PATCH LOCK, 1/4" - 20 X .875" LG..	4
4	***		SEAT BACK ASSEMBLY (INCLUDES ITEMS 5 - 9) 71751G01 OYSTER 71751G03 TAN 71751G04 GREY 71751G06 BLACK 71751G07 BROWN	2
5	71752G01		COVER (PLASTIC).....	1
6	71754G01		PADDING (FOAM).....	1
7	645021		BASE ASSEMBLY.....	1
8	01107G01		PAN HEAD TORX SCREW, #8 X .63" LG.....	4
9	***		VINYL COVER..... 71753G01 OYSTER 71753G03 TAN 71753G04 GREY 71753G06 BLACK 71753G07 BROWN	1
10	01006G01		HEX WASHER HEAD SCREW, 3/8" - 16 X 1.25" LG.....	2
11				
12				
13				
14				
15				
16	***		SEAT BOTTOM ASSEMBLY (INCLUDES ITEMS 17 - 26)..... 629269G0101 OYSTER 629269G0103 TAN 629269G0104 GREY 629269G0106 BLACK 629269G0107 BROWN	1
17	00720G08		FLAT HEAD PHILLIPS TAPPING SCREW, #12 - 14 X 1" LG.....	6
18	17074G1		SOILING SLAB.....	2
19	615417		BUTTON HEAD TORX BOLT, M10 - 1.5 X 25MM LG.....	4

SEATING

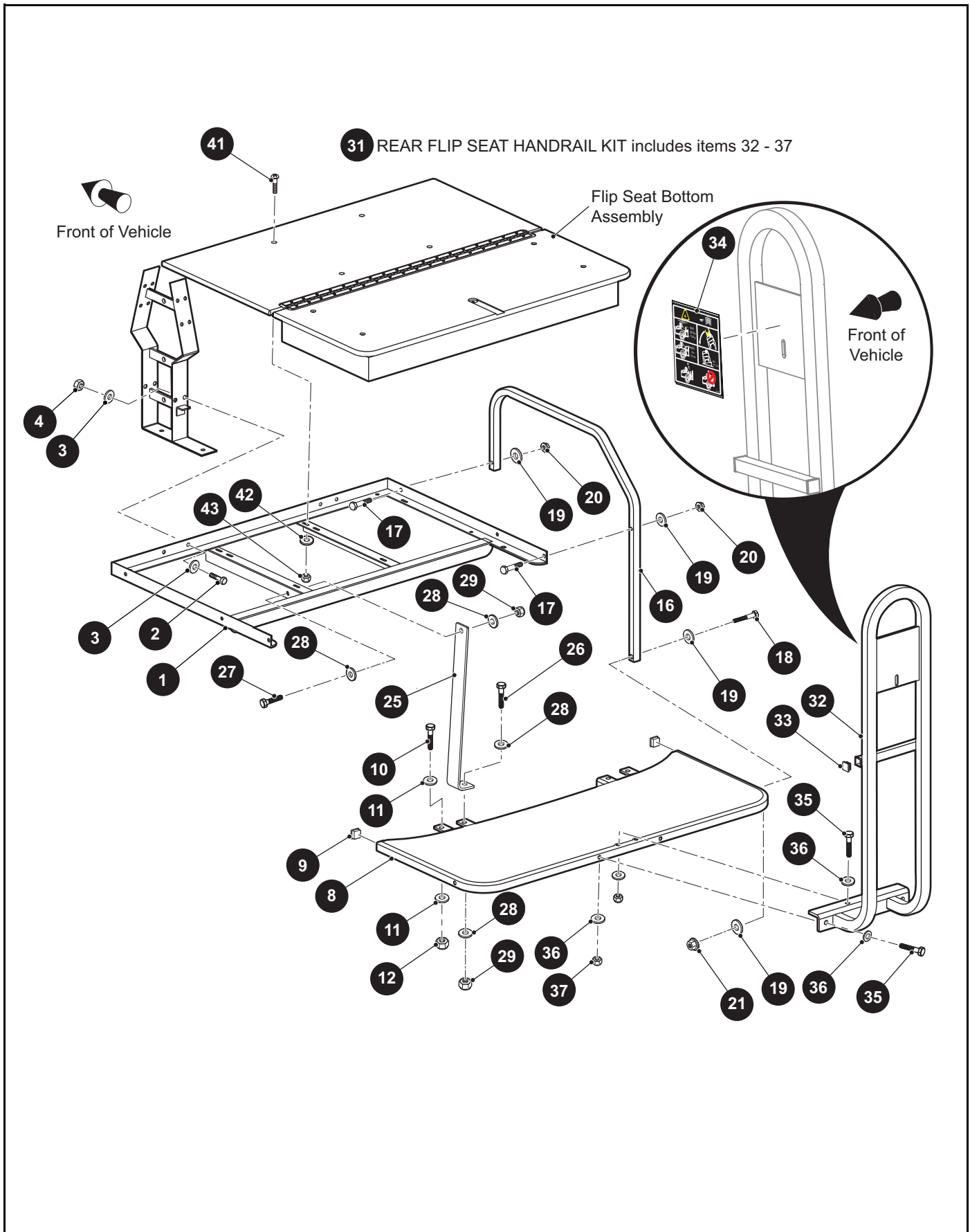
THE USE OF NON U.L. PARTS WILL VOID ANY U.L. LISTING.

When ordering parts, please specify the model and serial number of the product.

* Indicates a component that is not available as an individual part.

*** Indicates consult Customer Service Department for additional information.

ITEM	PART NO.	1	2	3	4	5	DESCRIPTION	QTY.
20	617644						HIP RESTRAINT (PASSENGER SIDE).....	1
21	617645						HIP RESTRAINT (DRIVER SIDE)	1
22	645492						BASE	1
23	71012G01						TRIM (POLYPROPYLENE).....	1
24	***						VINYL COVER..... 71602G01 OYSTER 71602G03 TAN 71602G04 GREY 71602G06 BLACK 71602G07 BROWN	1
25	71603G02						PADDING (FOAM)	1
26	71610G01						SEAT HINGE.....	2
27								
28								
29								
30	***						FLIP SEAT BOTTOM ASSEMBLY (INCLUDES ITEM 31 - 38) 628058G01 OYSTER 628058G03 TAN 628058G04 GREY 628058G06 BLACK 628058G07 BROWN	1
31	634190						DECK BOARD ASSEMBLY	1
32	***						SEAT BOTTOM ASSEMBLY (INCLUDES ITEM 33 - 35) 632837G01 OYSTER 632837G03 TAN 632837G04 GREY 632837G06 BLACK 632837G07 BROWN	1
33	617400						SEAT BOTTOM (PLYWOOD).....	1
34	617401						SEAT BOTTOM (FOAM)	1
35	***						SEAT BOTTOM (VINYL) 617893 BROWN 615648 BLACK 617892 GREY 615647 TAN 615646 OYSTER	1
36	16705G1						PHILLIPS SCREW (SS), 1/4" - 20 X 1" LG.....	5
37	00559G7						FLAT WASHER, 1/4"	1
38	617402						SEAT STRAP	1



THE USE OF NON U.L. PARTS WILL VOID ANY U.L. LISTING.

When ordering parts, please specify the model and serial number of the product.

* Indicates a component that is not available as an individual part.

*** Indicates consult Customer Service Department for additional information.

ITEM	PART NO.	1 2 3 4 5	DESCRIPTION	QTY.
1	634180		SEAT FRAME WELDMENT	1
2	00427G2		HEX HEAD BOLT, 3/8" - 16 X 1.25" LG	1
3	614221		FLAT WASHER, 3/8"	2
4	11098G5		LOCK NUT, 3/8" - 16	1
5				
6				
7				
8	634179		FOOTREST WELDMENT	1
9	19853G1		SQUARE TUBE CAP, 1"	2
10	00427G6		HEX HEAD CAP SCREW, 3/8" - 16 X 1.25" LG	1
11	614221		FLAT WASHER, 3/8"	2
12	11098G5		LOCK NUT, 3/8" - 16	1
13				
14				
15				
16	634175		REAR SEATING ARMREST	1
17	00427G4		HEX HEAD BOLT, 3/8" - 16 X 1.25" LG	2
18	00428G8		HEX HEAD CAP SCREW, 3/8" - 16 X 2.25" LG	1
19	614221		FLAT WASHER, 3/8"	4
20	11027G5		FLANGED LOCK NUT, 3/8" - 16	2
21	11098G5		LOCK NUT, 3/8" - 16	2
22				
23				
24				
25	634174		SEAT FRAME SUPPORT	1
26	00427G4		HEX HEAD BOLT, 3/8" - 16 X 1.5" LG	1
27	00427G2		HEX HEAD BOLT, 3/8" - 16 X 1.25" LG	1
28	614221		FLAT WASHER, 3/8"	4
29	11098G5		LOCK NUT, 3/8" - 16	2
30				

SEATING

THE USE OF NON U.L. PARTS WILL VOID ANY U.L. LISTING.

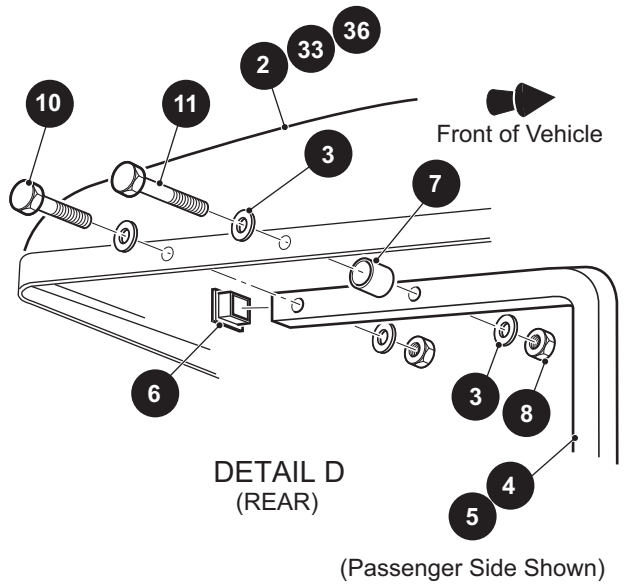
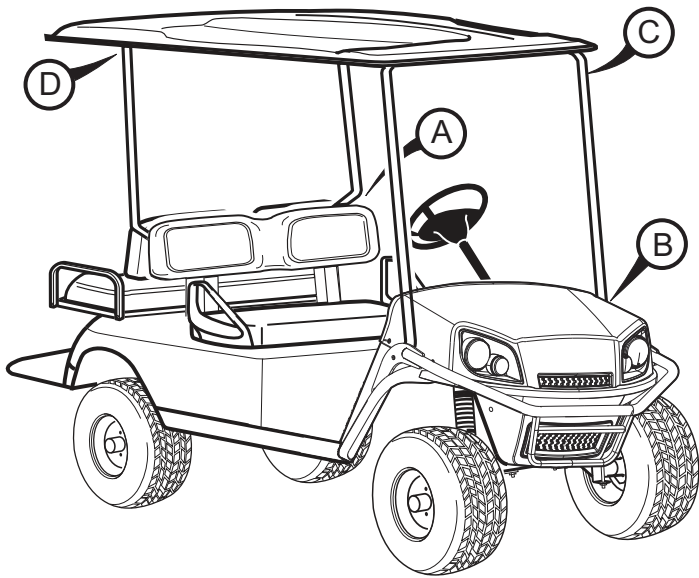
When ordering parts, please specify the model and serial number of the product.

* Indicates a component that is not available as an individual part.

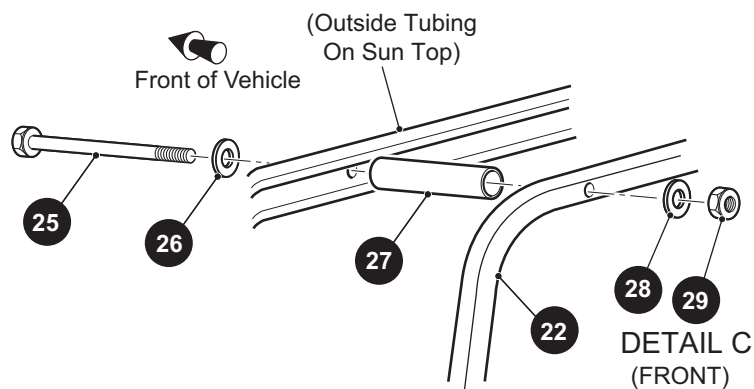
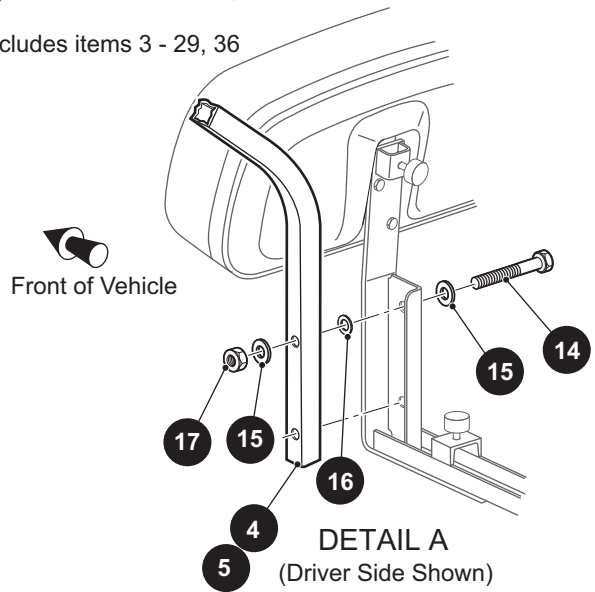
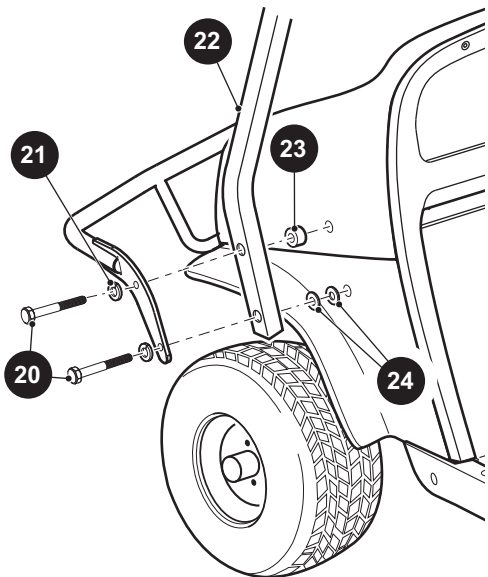
*** Indicates consult Customer Service Department for additional information.

ITEM	PART NO.	1	2	3	4	5	DESCRIPTION	QTY.
31	634184						REAR FLIP SEAT HANDRAIL KIT (INCLUDES ITEMS 32 - 37).....	1
32	634185						FOOTREST HANDLE WELDMENT	1
33	19859G1						SQUARE TUBE CAP, 3/4".....	2
34	610631						SAFETY LABEL	1
35	00427G8						HEX HEAD BOLT, 3/8" - 16 X 2" LG	4
36	614221						FLAT WASHER, 3/8"	8
37	11098G5						LOCK NUT, 3/8" - 16.....	4
38								
39								
40								
41	16705G9						TRUSS HEAD PHILLIPS SCREW (SS), 1/4" - 20 X 1.25" LG	4
42	00559G7						FLAT WASHER, 1/4"	4
43	14390G4						LOCK NUT, 1/4" - 20	4

WEATHER PROTECTION



- 1** SUN TOP KIT (BLACK) includes items 2 - 29
- 32** SUN TOP KIT (WHITE) includes items 3 - 29, 33
- 35** SUN TOP KIT (TAN) includes items 3 - 29, 36



WEATHER PROTECTION

THE USE OF NON U.L. PARTS WILL VOID ANY U.L. LISTING.

When ordering parts, please specify the model and serial number of the product.

* Indicates a component that is not available as an individual part.

*** Indicates consult Customer Service Department for additional information.

ITEM	PART NO.	1 2 3 4 5	DESCRIPTION	QTY.
1	606260		SUN TOP KIT (BLACK), 80" LG (INCLUDES ITEMS 2 - 29).....	1
2	606937		SUN TOP	1
3	00679G1		FLAT WASHER (SS), 3/8"	4
4	602743		REAR STRUT (DRIVER SIDE)	1
5	602741		REAR STRUT (PASSENGER SIDE).....	1
6	19853G1		END CAP, 1 SQ"	1
7	24647G1		SPACER, 1/4"	1
8	00891G5		LOCK NUT, 3/8" - 16	2
9				
10	00665G6		HEX HEAD BOLT (SS), 3/8" - 16 X 2" LG	1
11	00665G3		HEX HEAD BOLT (SS), 3/8" - 16 X 2 1/2" LG	1
12				
13				
14	00665G5		HEX HEAD BOLT (SS), 3/8" - 16 X 1 3/4" LG	2
15	00679G1		FLAT WASHER (SS), 3/8"	4
16	00771G5		NYLON WASHER, 3/8"	2
17	00891G5		LOCK NUT, 3/8" - 16	2
18				
19				
20	00440G2		HEX HEAD BOLT, 5/16" - 18 X 2 1/4" LG	2
21	00565G8		LOCK WASHER, 5/16"	2
22	75125G01		FRONT STRUT	1
23	75048G01		SPACER, 1/2"	1
24	00879G1		FLAT WASHER, 3/8"	2
25	00674G8		HEX HEAD BOLT, 3/8" - 16 X 5" LG.....	1
26	00679G1		FLAT WASHER (SS), 3/8"	1
27	18716G1		SPACER	1
28	00653G1		FLAT WASHER (SS), 3/8"	1
29	00891G5		LOCK NUT, 3/8" - 16	1
30				
31				

WEATHER PROTECTION

THE USE OF NON U.L. PARTS WILL VOID ANY U.L. LISTING.

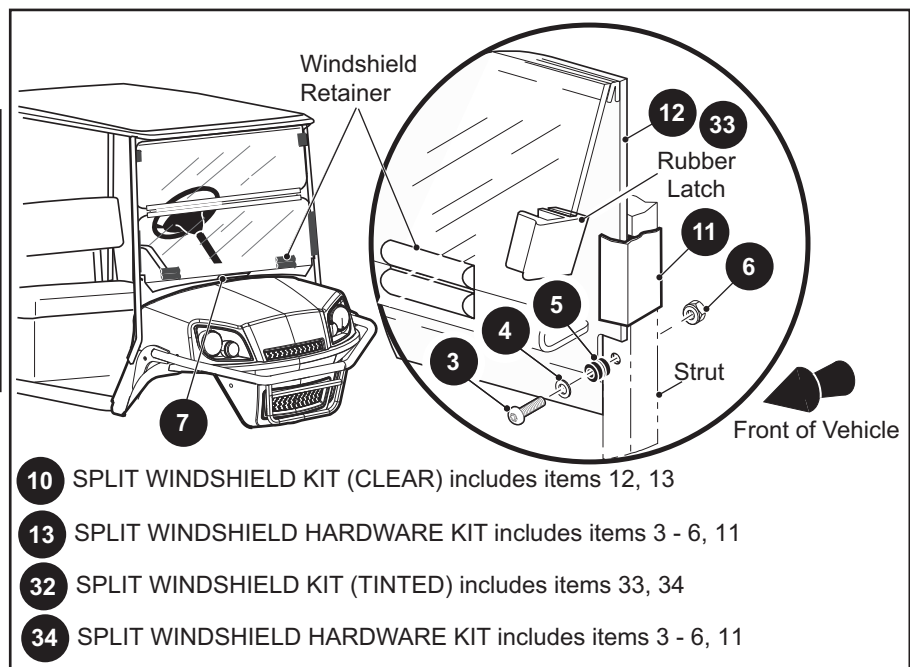
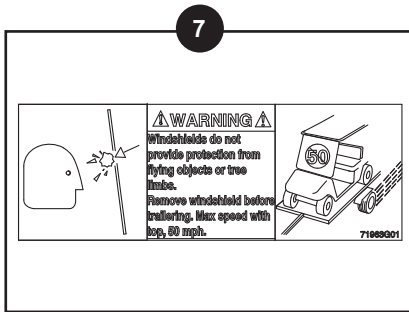
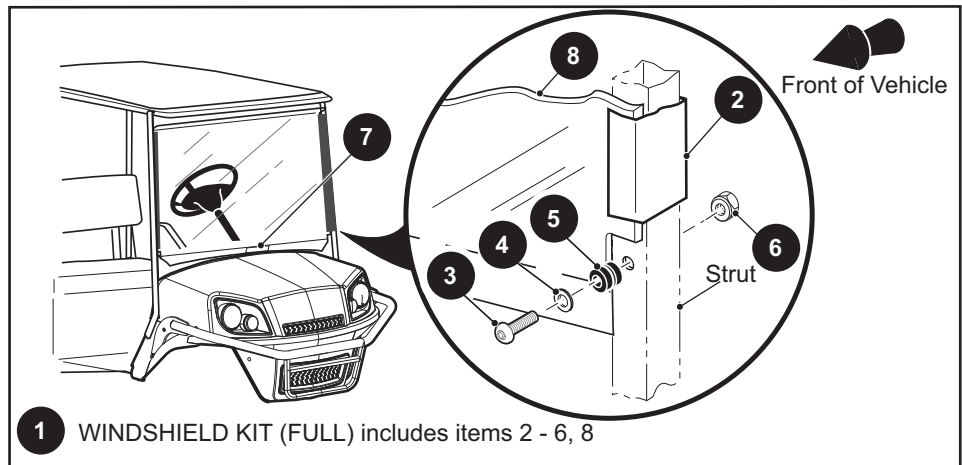
When ordering parts, please specify the model and serial number of the product.

* Indicates a component that is not available as an individual part.

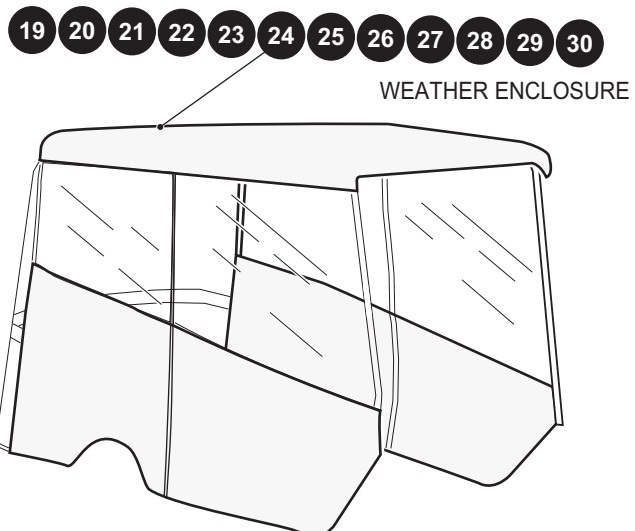
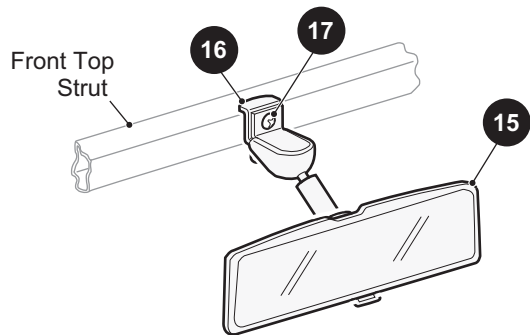
*** Indicates consult Customer Service Department for additional information.

ITEM	PART NO.	1	2	3	4	5	DESCRIPTION	QTY.
32	603119						SUN TOP KIT (WHITE), 80" LG (INCLUDES ITEMS 3 - 29, 33)	1
33	27604G01						SUN TOP	1
34								
35	603120						SUN TOP KIT (TAN), 80" LG (INCLUDES 3 - 29, 36)	1
36	602672						SUN TOP	1

WEATHER PROTECTION



Front of Vehicle



WEATHER PROTECTION

THE USE OF NON U.L. PARTS WILL VOID ANY U.L. LISTING.

When ordering parts, please specify the model and serial number of the product.

* Indicates a component that is not available as an individual part.

*** Indicates consult Customer Service Department for additional information.

ITEM	PART NO.	1 2 3 4 5	DESCRIPTION	QTY.
1	71966G03		FULL WINDSHIELD KIT (INCLUDES ITEMS 2 - 6, 8).....	1
2	615662		SASH, 26" LG.....	2
3	*		HEX HEAD BOLT (SS), 1/4" - 20 X 1 3/4" LG.....	2
4	*		FLAT WASHER (SS), 1/4".....	2
5	*		RUBBER GROMMET.....	2
6	*		LOCK NUT (SS), 1/4" - 20.....	2
7	71963G01		SAFETY LABEL.....	1
8	71960G01		FULL WINDSHIELD.....	1
9				
10	71966G05		SPLIT WINDSHIELD KIT (CLEAR) (INCLUDES ITEMS 12, 13).....	1
11	615661		SASH, 12" LG.....	2
12	630012		SPLIT WINDSHIELD (CLEAR).....	1
13	71956G05		SPLIT WINDSHIELD HARDWARE KIT (INCLUDES ITEMS 3 - 6, 11).....	1
14	19528G2		REAR VIEW MIRROR KIT (INCLUDES ITEMS 15 - 17).....	1
15	19496G1		REAR VIEW MIRROR.....	1
16	19502G2		SUPPORT BRACKET.....	1
17	19527G1		PAN HEAD SCREW, #8 - 32 X 5/8" LG.....	1
18				
19	605119		WEATHER ENCLOSURE (TAN).....	1
20	605120		WEATHER ENCLOSURE (OYSTER).....	1
21	605121		WEATHER ENCLOSURE (HUNTER GREEN).....	1
22	605122		WEATHER ENCLOSURE (PACIFIC BLUE).....	1
23	605123		WEATHER ENCLOSURE (CAPRI).....	1
24	605125		WEATHER ENCLOSURE (HEMLOCK TWEED).....	1
25	605126		WEATHER ENCLOSURE (BURGUNDY).....	1
26	605127		WEATHER ENCLOSURE (LINEN TWEED).....	1
27	605128		WEATHER ENCLOSURE (TUSCAN).....	1
28	605130		WEATHER ENCLOSURE (CHARCOAL TWEED).....	1
29	605131		WEATHER ENCLOSURE (JOCKEY RED).....	1
30	605132		WEATHER ENCLOSURE (MEDITERRANEAN BLUE).....	1
31	75509G01		MESSAGE HOLDER (1 PIECE) (NOT ILLUSTRATED).....	1

WEATHER PROTECTION

THE USE OF NON U.L. PARTS WILL VOID ANY U.L. LISTING.

When ordering parts, please specify the model and serial number of the product.

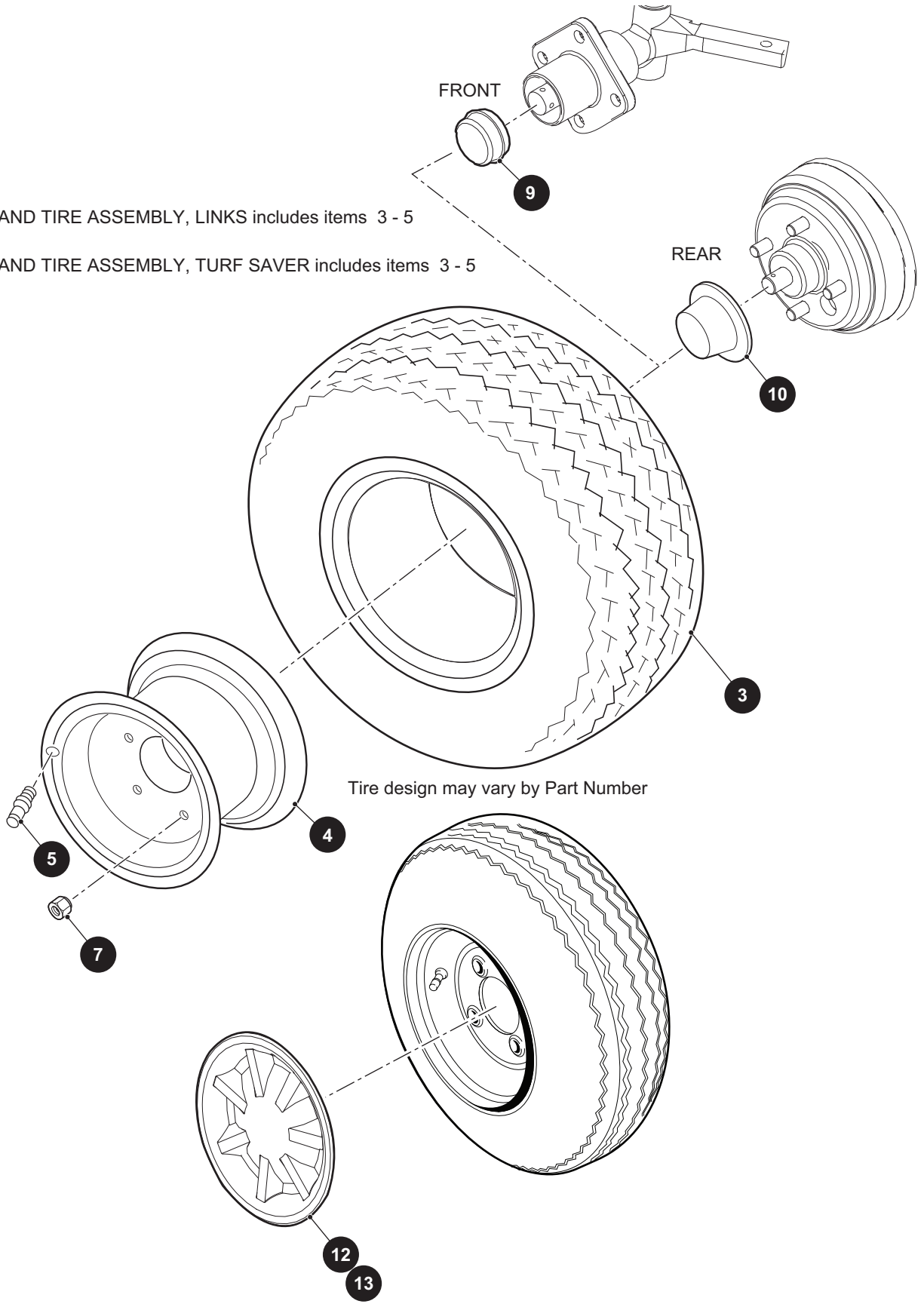
* Indicates a component that is not available as an individual part.

*** Indicates consult Customer Service Department for additional information.

ITEM	PART NO.	1	2	3	4	5	DESCRIPTION	QTY.
32	71966G06						SPLIT WINDSHIELD KIT (TINTED) (INCLUDES ITEMS 33, 34).....	1
33	630013						SPLIT WINDSHIELD (TINTED)	1
34	71956G05						SPLIT WINDSHIELD HARDWARE KIT (INCLUDES ITEMS 3 - 6, 11).....	1

WHEELS AND TIRES

- 1 WHEEL AND TIRE ASSEMBLY, LINKS includes items 3 - 5
- 2 WHEEL AND TIRE ASSEMBLY, TURF SAVER includes items 3 - 5



WHEELS AND TIRES

THE USE OF NON U.L. PARTS WILL VOID ANY U.L. LISTING.

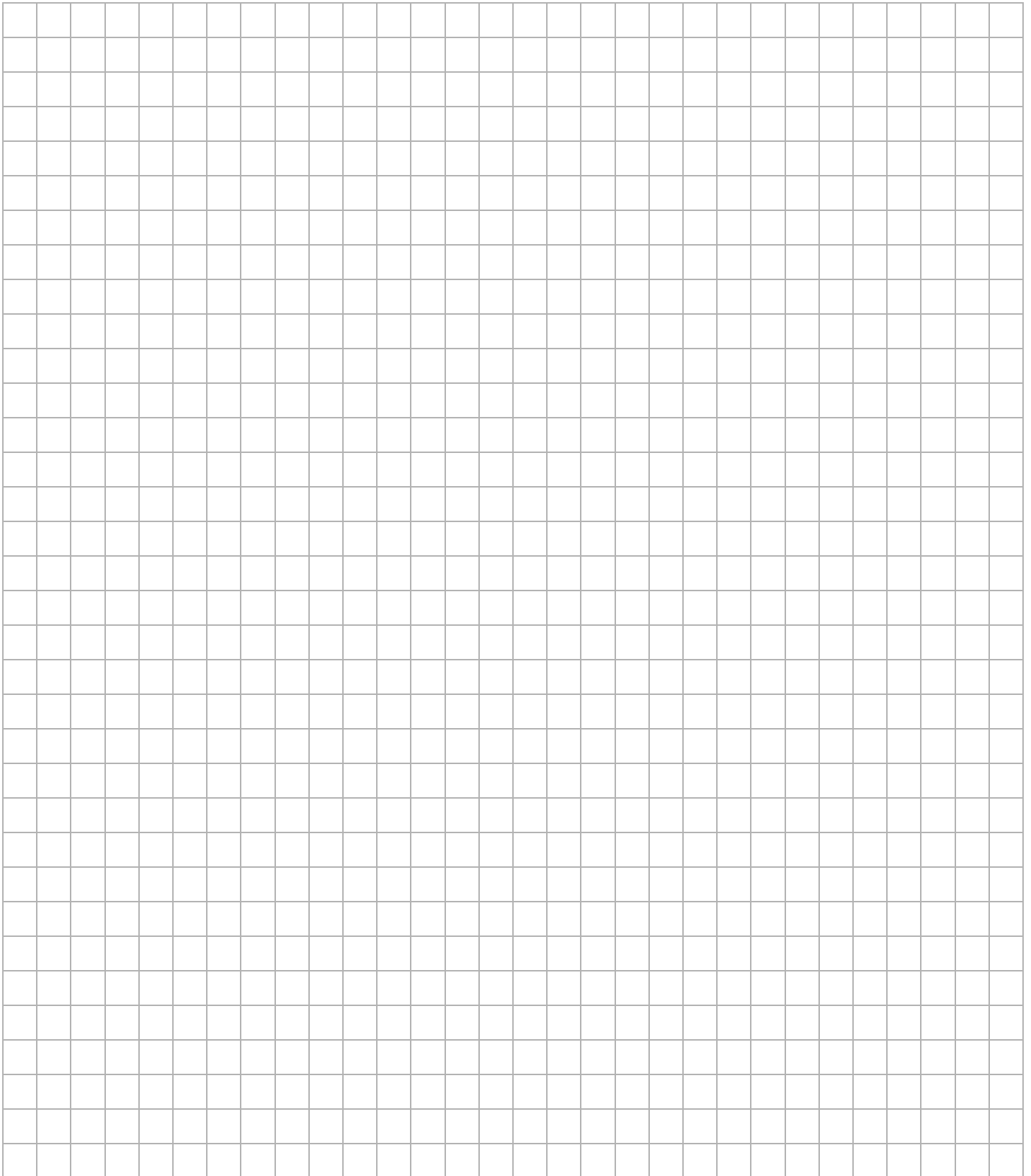
When ordering parts, please specify the model and serial number of the product.

* Indicates a component that is not available as an individual part.

*** Indicates consult Customer Service Department for additional information.

ITEM	PART NO.	1 2 3 4 5	DESCRIPTION	QTY.
1	28757G01		WHEEL AND TIRE ASSEMBLY, LINKS (INCLUDES ITEMS 3 - 5).....	1
2	28757G03		WHEEL AND TIRE ASSEMBLY, TURF SAVER (INCLUDES ITEMS 3 - 5).....	1
3	28764G01		TIRE (CARLISLE).....	1
4	28759G01		WHEEL.....	1
5	11657G2		VALVE STEM.....	1
6				
7	14723G1		LUG NUT, 1/2" - 20	4
8				
9	12091G2		SPINDLE CAP	1
10	74175G01		DUST CAP	1
11				
12	615618		HUBCAP (SILVER)	1
13	615617		HUBCAP (GOLD).....	1

Notes:

A large, empty grid of graph paper with 30 columns and 25 rows, intended for handwritten notes.



CUSHMAN®
LET'S WORK!

E-Z-GO Division of Textron Inc.,
1451 Marvin Griffin Road, Augusta, Georgia 30906 - 3852 USA

TO CONTACT US...

North America:

Technical Assistance & Warranty

Phone: 1-800-774-3946, FAX: 1-800-448-8124

Service Parts

Phone: 1-888-GET-E-Z-GO (1-888-438-3946), FAX: 1-800-752-6175

International:

Phone: 001-706-798-4311, FAX: 001-706-771-4609

Service Parts Manuals, as well as Repair and Service Manuals
are available from a local Distributor, an authorized Branch,
Genuine E-Z-GO Parts & Accessories Department or at www.shopezgo.com.

Copyrighted Material
This manual may not be reproduced in whole or
in part without the express permission of
E-Z-GO Division of Textron Inc.
Technical Communications Department